

# Increased safety (Exe) breather drains (nylon) – DP-E4 Series

## Technical specification

Redapt DP-E4 series of Exe breather drains provide a method of preventing moisture build-up within a hazardous area approved enclosure whilst ensuring the integrity and Ex approval of the installation is maintained.

They allow for air within an enclosure to breathe with the surrounding atmosphere helping to prevent condensation and any potential damage to sensitive electric/electronic equipment housed within. All whilst maintaining an IP66 rating of the enclosure it is installed in.

Designed for hazardous area applications, Redapt's DP-E4 series of breather drains are certified to protection concept Exe "Increased Safety" for use in Zone 1 and Zone 2 applications. Also certified Ex tb "dust tight" for use in Zone 21 & 22 applications.



Type DP-E4

## Certifications and compliances



### Code of protection categories

<b>ATEX:</b>	II 2 GD, Ex e II Mb Gb, Ex tb IIIC Db
<b>IECEC:</b>	Ex e IIC Mb/Gb, Ex tb IIIC Db
<b>CSA:</b>	Ex eb IIC Gb IP66 C II Zn 1 AEx eb IIC Gb Enclosure Type 4X (NEMA 4X)

### Compliance standards

<b>ATEX:</b>	EN 60079-0, EN 60079-7, EN 60079-31
<b>IECEC:</b>	IEC 60079-0, IEC 60079-7, IEC 60079-31
<b>CSA:</b>	C22.2 No. 0-10, CAN/CSA C22.2 NO. 18.3-12, CAN/CSA C22.2 No. 60079-0, CAN/CSA C22.2 No. 60079-7, CAN/CSA C22.2 NO. 94-M91 ANSI/UL 514B, ANSI/UL 60079-0 ANSI/UL 60079-7, ANSI/UL 50

### Certificate details

<b>ATEX:</b>	ITS16ATEX101338X
<b>IECEC:</b>	IECEX ITS 16.0014X
<b>CSA:</b>	CSA00CA1033919X
<b>EAC:</b>	EAC RU C-GB.M062.B.06227
<b>INMETRO:</b>	NCC 18.0165 X

### Ingress protection (IP):

IP66 when fitted in accordance to manufacturer's instructions.

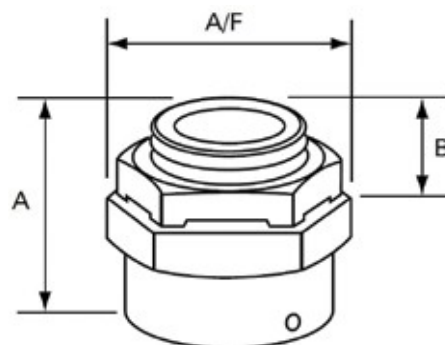
### Threadforms

Metric  
NPT

### Dimensions

Size	A/F	Overall length (A)	Thread length (B)
M20	28.60	23.00 (min.)	10.00 (min.)
M25	34.90	23.00 (min.)	10.00 (min.)
M32	41.30	23.00 (min.)	10.00 (min.)
½" NPT	28.60	28.00 (min.)	15.00 (min.)
¾" NPT	34.90	28.00 (min.)	15.00 (min.)
1" NPT	41.30	28.00 (min.)	15.00 (min.)

For ¾" and 1" NPT please contact us.



### Temperature

Dependent on filter and seal O-ring

**Nylon body:** -30°C to +90°C, unless limited by filter material

HDPE filter: -50°C to 80°C

Nitrile: -30°C to +80°C (supplied as standard)

EPDM: -50°C to +100°C

Neoprene: -40°C to +80°C

Viton: -20°C to +180°C

Silicone: -60°C to +180°C

Fluorosilicone: -60°C to +130°C

# Increased safety (Exe) breather drains (nylon) – Product coding

Product	DIGITS 1 & 2
Increased Safety BREATHER DRAIN	DP

Certification	DIGIT 3
E	Exe I and IIC

Material	DIGIT 4
4	Glass filled nylon

Plating	DIGIT 5
0	Unplated

DIGITS 6 & 7
Thread type
04 M20
05 M25
06 M32
29 1/2" NPT
30 3/4" NPT
31 1" NPT

DIGITS 8 & 9		
Thread length	Hole position	Castellated I/nut
S3 15mm	3 Holes	With
S4 15mm	3 Holes	Without

Alternative threadforms, material & plating on application.

## Example

Digits 1&2	Digit 3	Digit 4	Digit 5	Digits 6&7	Digits 8&9					
<b>DP</b>	-	<b>E</b>	-	<b>4</b>	-	<b>0</b>	-	<b>04</b>	-	<b>S3</b>
Breather drain	Exe I and IIC	Glass filled nylon	Unplated	M20	15 mm					

## Thread dimension chart

### ISO metric

BS 3643 1.5mm pitch

Size	Major dia.	TPI
M20	19.97	16.93
M25	24.97	16.93
M32	31.97	16.93

### NPT

ANSI.ASME B1.20.1

Size	Pipe dia.	TPI
1/2"	21.34	14.00
3/4"	26.67	14.00
1"	33.40	11.50

For other equivalent threadforms, please contact us.



# SCATTERGOOD & JOHNSON LTD

ELECTRICAL ENGINEERING & FLUID CONTROL DISTRIBUTORS

Est.1899

At Scattergood & Johnson Ltd, we pride ourselves on being a technical distributor to specialist industries.

Working with a range of quality product suppliers across a number of specialist markets, we are not your average 'box shifter' - we are your technical and supply chain partner.

We fully support every product we sell - for free! Our internal team and external sales engineers can answer any product or application question, no matter the complexity.

Backing up this technical ability is a range of 50,000+ products available from stock for nationwide next day delivery (same day if required!), or you can collect what you need from any of our trade counters around the UK.

Select your specialist interest below to learn more about how we can help.



Online, In Branch and On the Road - Scattergood & Johnson Ltd, there when you need us.

# [www.scatts.co.uk](http://www.scatts.co.uk)