

Metallic dome head (Exd/Exe) stopping plugs – PD-U Series

Technical specification

Redapt PD-U series of stopping plugs provide a method of blanking off unused entries in hazardous area approved equipment whilst ensuring the integrity and Ex approval of the installation is maintained.

Manufactured to facilitate easy installation, they are also supplied complete with a captive O-ring seal. The O-ring is located within a recess on the face of the product, helping to protect the O-ring from the environmental damage and ensuring it is not displaced during installation.



Type PD-U

Certifications and compliances



Code of protection categories

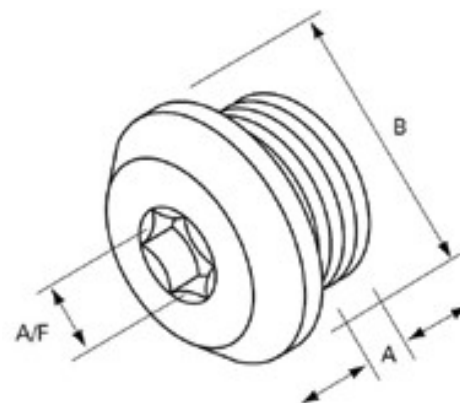
ATEX:	I M2, II 2 GD
IECEX:	Ex db I/IIC Mb/Gb, Ex eb I/IIC Mb/Gb, Ex tb IIC Db (Aluminium not mining)
CSA:	Ex db / Ex eb IIC Gb IP66/67/68 CI I Zn 1 AEx eb / AEx db IIC Gb CI I Div1 Gr ABCD CI II Gr EFG CI III; Type 4X/6P

Compliance standards

ATEX/IECEX:	IEC/EN 60079-0, IEC/EN 60079-1, IEC/EN 60079-7, IEC/EN 60079-31
CSA:	CAN/CSA C22.2 No. 60079-0, No. 60079-1, No. 60079-7, ANSI/UL 60079-0, 60079-1, 60079-7, UL 1203

Certificate details

ATEX:	ITS16ATEX101335X
IECEX:	IECEX ITS 16.0012X
CSA:	CSA01CA1248014X
EAC:	RU C-GB.M1062.B.06226
CCoE:	P362565/1
INMETRO:	NCC 18.0133 X



Ingress protection (IP):

IP66, IP68, CSA Enclosure Type (NEMA) 4X, 6P

Plating options

Electroless nickel
Zinc
Chromated
Others on application

Threadforms

Metric
NPT
NPSM
Pg
ISO pipe (BSP)
ET

Temperature

Temperature will depend on the type of O-ring used

- None: -60°C to +200°C
- Nitrile: -30°C to +80°C (supplied as standard)
- EPDM: -50°C to +100°C
- Neoprene: -40°C to +80°C
- Viton: -20°C to +180°C
- Silicone: -60°C to +180°C
- Fluorosilicone: -60°C to +130°C

The maximum temperature is limited to +150°C for Group I applications

Dimensions

Size	Thread length (A)	Hex (Allen) key A/F	Diameter (B)
M16	15.00	10.00	22.00
M20	15.00	10.00	27.00
M25	15.00	10.00	31.75
M32	15.00	10.00	40.00
M40	15.00	10.00	47.63
M50	15.00	10.00	57.15
M63	15.00	14.00	69.85
M75	15.00	14.00	82.55

Metallic dome head (Exd/Exe) stopping plugs – Product coding

Product	DIGITS 1 & 2
Dome head PLUG	PD

Certification	DIGIT 3
U	Exd I and IIC & Exe I and IIC

Material	DIGIT 4
1	Brass
2	Mild steel
3	Stainless steel
5	Aluminium

Plating	DIGIT 5
0	Unplated
1	Electroless nickel
2	Zinc
6	Chromated

Notes: threadform codes below to be used for both male and female threads.
For use in NPT Exd applications, choose PAU or PBU products.

DIGITS 6 & 7 Male thread ; DIGITS 8 & 9 Female thread							
Metric	ET imperial conduit	NPT	NPSM	ISO pipe parallel (BSPP)	ISO pipe taper (BSPT)	PG	
02 M12							
03 M16	17 5/8" ET	29 1/2" NPT	42 1/2" NPSM	55 1/2" BSPP	68 1/2" BSPT	79	PG 7
04 M20	18 3/4" ET	30 3/4" NPT	43 3/4" NPSM	56 3/4" BSPP	69 3/4" BSPT	80	PG 9
05 M25	19 1" ET	31 1" NPT	44 1" NPSM	57 1" BSPP	70 1" BSPT	81	PG 11
06 M32	20 1 1/4" ET	32 1 1/4" NPT	45 1 1/4" NPSM	58 1 1/4" BSPP	71 1 1/4" BSPT	82	PG 13.5
07 M40	21 1 1/2" ET	33 1 1/2" NPT	46 1 1/2" NPSM	59 1 1/2" BSPP	72 1 1/2" BSPT	83	PG 16
08 M50	22 2" ET	34 2" NPT	47 2" NPSM	60 2" BSPP	73 2" BSPT	84	PG 21
09 M63	23 2 1/2" ET	35 2 1/2" NPT	48 2 1/2" NPSM	61 2 1/2" BSPP	74 2 1/2" BSPT	85	PG 29
10 M75	24 3" ET	36 3" NPT	49 3" NPSM	62 3" BSPP	75 3" BSPT	86	PG 36
11 M80 x 2.0	ET Special	37 3 1/2" NPT	50 3 1/2" NPSM	63 3 1/2" BSPP	76 3 1/2" BSPT	87	PG 42
12 M85 x 2.0		38 4" NPT	51 4" NPSM	64 4" BSPP	77 4" BSPT	88	PG 48
13 M90 x 2.0		NT Special	NS Special	BP Special	BT Special		PG Special
14 M100 x 2.0							
15 M110 x 2.0							
BZ M120 x 2.0							

Example

Digits 1&2	Digit 3	Digit 4	Digit 5	Digits 6 & 7	Digits 8 & 9
PD	- U	- 1	- 1	- 29	- 04
Plug	Exd/e certified	Brass	Nickel-plated	1/2" NPT (male)	M20 (female)

Always quote male thread first.

Thread dimension chart

ISO metric

BS 3643 1.5mm pitch

Size	Major dia.	TPI
M12	11.97	16.93
M16	15.97	16.93
M20	19.97	16.93
M25	24.97	16.93
M32	31.97	16.93
M40	39.97	16.93
M50	49.97	16.93
M63	62.97	16.93
M75	74.97	16.93
2.0mm pitch		
M80	79.97	12.70
M85	84.97	12.70
M90	89.97	12.70
M100	99.97	12.70
M110	109.97	12.70
M120	119.97	12.70

Alternate ISO pipe thread designations

UK	BSP Parallel or Taper BS2279 (BS21)
Europe	G (Parallel) GK (Taper) R (Parallel) RK (Taper)
Japan	PF (Parallel) JISB 303
CIS	K mpy (Taper)

NPT

ANSI ASME B1.20.1

Size	Pipe dia.	TPI
½"	21.34	14.00
¾"	26.67	14.00
1"	33.40	11.50
1¼"	42.16	11.50
1½"	48.26	11.50
2"	60.33	11.50
2½"	73.03	8.00
3"	88.90	8.00
3½"	101.60	8.00
4"	114.30	8.00

PG

DIN 40430

Size	Major dia.	TPI
PG7	12.50	20.00
PG9	15.20	18.00
PG11	18.60	18.00
PG13.5	20.40	18.00
PG16	22.50	18.00
PG21	28.30	16.00
PG29	37.00	16.00
PG36	47.00	16.00
PG42	54.00	16.00
PG48	59.30	16.00

BSP ISO pipe thread

ISO R/7; UNI 6125

Size	Pipe Dia.	TPI
⅝"	16.66	19.00
½"	20.96	14.00
¾"	26.44	14.00
1"	33.25	11.00
1¼"	41.91	11.00
1½"	47.80	11.00
2"	59.61	11.00
2½"	75.18	11.00
3"	87.88	11.00

ET imperial conduit

BS31

Size	Major dia.	TPI
⅝"	15.88	18.00
¾"	19.05	16.00
1"	25.40	16.00
1¼"	31.75	16.00
1½"	38.10	14.00
2"	50.80	14.00
2½"	63.50	14.00
3"	76.20	14.00

Thread dimension substitution chart

Metric	NPT (or NPS)	PG	BSP ISO Pipe	ET
M16	–	7, 9	–	⅝"
M20	½"	11, 13.5	½"	¾"
M25	¾"	16	¾"	1"
M32	1"	21	1"	1¼"
M40	1¼"	29	1¼"	1½"
M50	1½"	36	1½"	2"
M63	2"	42, 48	2"	2½"
M75	2½"	–	2½"	3"
M90 x 2.0	3"	–	3"	–
M100 x 2.0	3½"	–	–	–
M110 x 2.0	–	–	–	–
M120 x 2.0	–	–	–	–



SCATTERGOOD & JOHNSON LTD

ELECTRICAL ENGINEERING & FLUID CONTROL DISTRIBUTORS

Est.1899

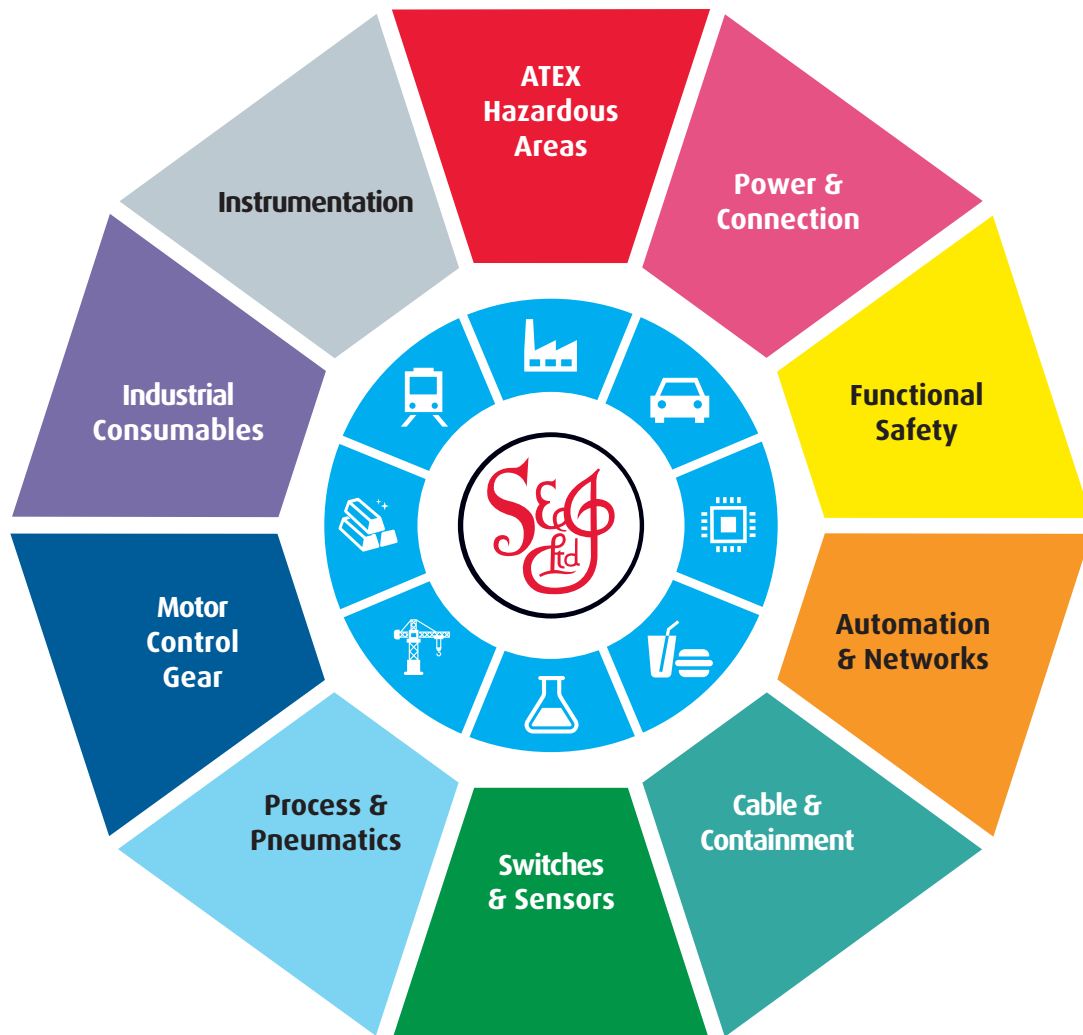
At Scattergood & Johnson Ltd, we pride ourselves on being a technical distributor to specialist industries.

Working with a range of quality product suppliers across a number of specialist markets, we are not your average 'box shifter' - we are your technical and supply chain partner.

We fully support every product we sell - for free! Our internal team and external sales engineers can answer any product or application question, no matter the complexity.

Backing up this technical ability is a range of 50,000+ products available from stock for nationwide next day delivery (same day if required!), or you can collect what you need from any of our trade counters around the UK.

Select your specialist interest below to learn more about how we can help.



Online, In Branch and On the Road - Scattergood & Johnson Ltd, there when you need us.

www.scatts.co.uk