

Technical Data 720114

Effective January 2019
Supersedes February 2018**BUSSMANN**
SERIES

House service cut outs, fuse links and holders

Product description

Eaton's Bussmann® series house service cut-out fuse links and fuse holders have been specifically designed for utility and residential applications.

**EATON***Powering Business Worldwide*

Technical Data 720114

Effective January 2019

House service cut outs, fuse links and holders

Catalogue symbol KR85 fuse links

- (amp rating)KR85

Technical data

- Rated voltage: 415 V a.c.
- Rated current: 5 to 100 A
- Breaking capacity: 33 kA
- Class of operation: gG
- Designed for use in conventional house service cut-outs (Eaton's Bussmann series 6080SP)

Standards/Approvals

- ASTA certified
- IEC 60269-3
- EN 60269-3
- BS88-3 Fuse system C (previously known as BS 1361)

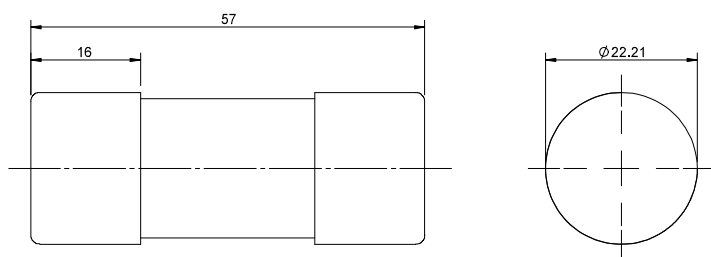
Packaging

- MOQ: 20

Table 1. Technical Data

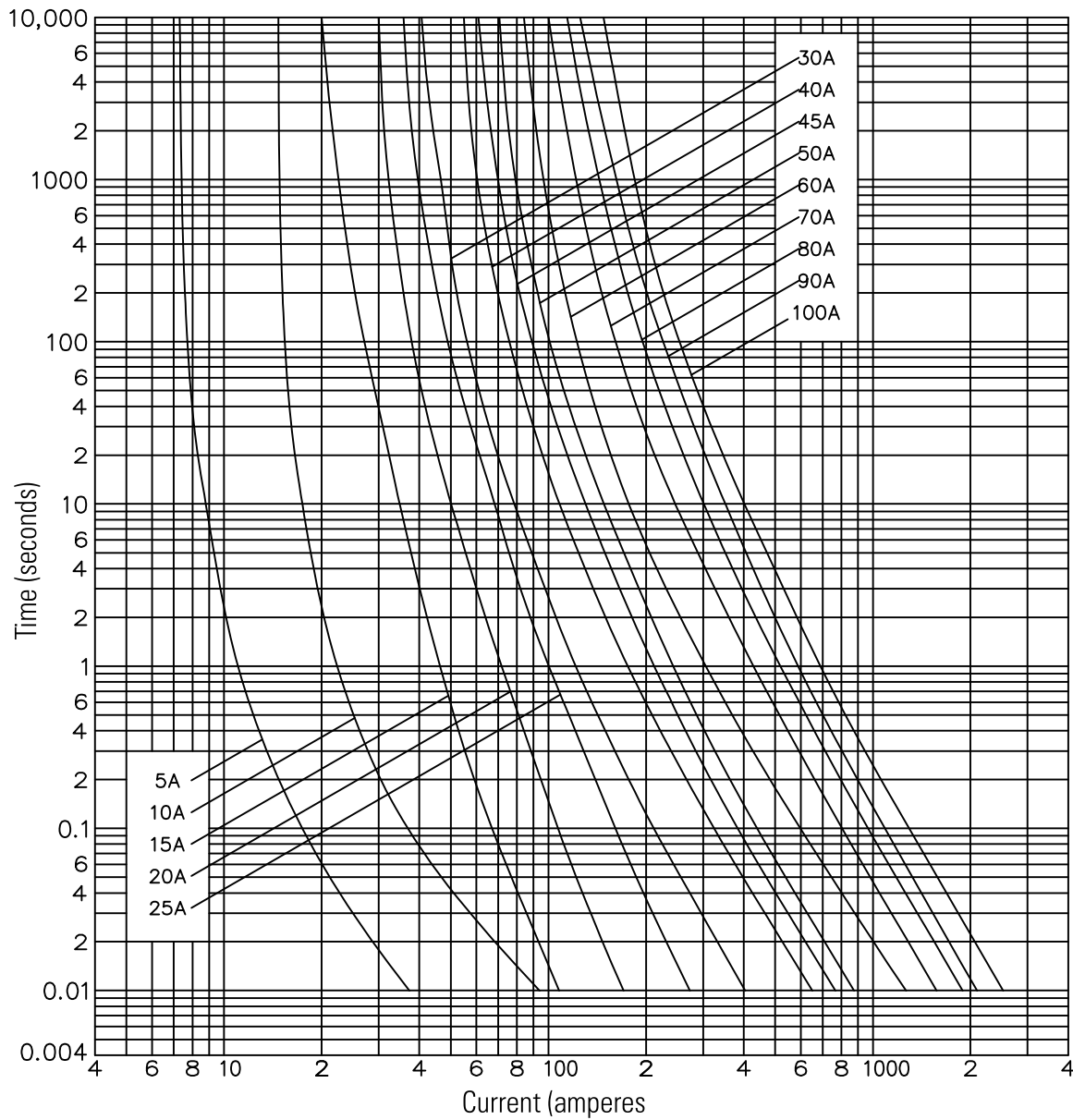
Catalogue number	Rated current (Amps)	Rated voltage (V a.c.)	I ² t (Amp ² seconds)			Nom watts loss	Recommended fuse holder
			Pre-arcing	Total at 240 V a.c.	Total at 415 V a.c.		
5KR85	5	415	8.4	15	23.5	2.5	6080SP
10KR85	10	415	84	150	235	3.3	6080SP
15KR85	15	415	53	90	130	2.9	6080SP
20KR85	20	415	215	360	510	2.6	6080SP
25KR85	25	415	480	815	1150	2.8	6080SP
30KR85	30	415	1000	2700	5700	3	6080SP
40KR85	40	415	2500	6800	14000	3.8	6080SP
45KR85	45	415	3600	9880	20500	3.8	6080SP
50KR85	50	415	4720	13000	27000	4.2	6080SP
60KR85	60	415	9100	25000	52000	4.3	6080SP
70KR85	70	415	17000	29000	40500	4.8	6080SP
80KR85	80	415	24500	41500	58500	5.4	6080SP
90KR85	90	415	33000	56500	79500	5.7	N/A
100KR85	100	415	43500	73500	105000	6.1	N/A

Dimensions - mm



House service cut outs, fuse links and holders

Time-current curve characteristics - KR85

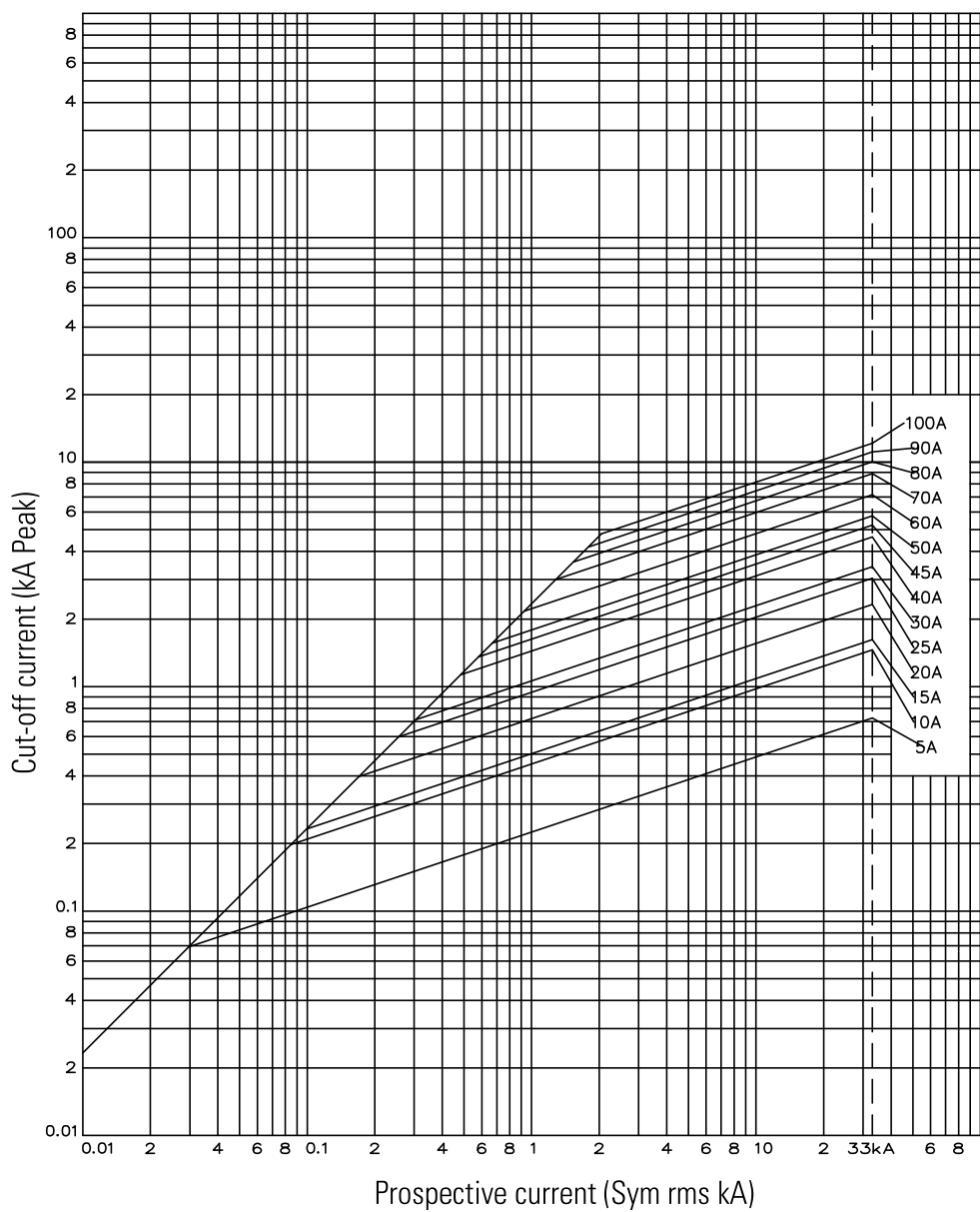


Technical Data 720114

Effective January 2019

House service cut outs, fuse links and holders

Cut-off current curve - KR85



House service cut outs, fuse links and holders

Catalogue symbol LR85 fuse links

- (amp rating)LR85

Technical data

- Rated voltage: 415 V a.c.
- Rated current: 30 to 100 A
- Breaking capacity: 33 kA
- Class of operation: gG
- Designed for use in conventional house service cut-outs (Eaton's Bussmann series 100SP)

Standards/Approvals

- ASTA certified
- IEC 60269-3
- EN 60269-3
- BS88-3 Fuse system C (previously known as BS 1361)

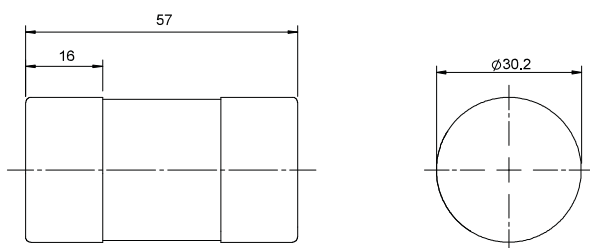
Packaging

- MOQ: 20

Table 2. Technical Data

Catalogue number	Rated current (Amps)	Rated voltage (V a.c.)	I ² t (Amp ² seconds)			Nom watts loss	Recommended fuse holder
			Pre-arcing	Total at 240 V a.c.	Total at 415 V a.c.		
30LR85	30	415	1200	2300	3600	3.4	100SP
40LR85	40	415	3680	6900	11,000	3.5	100SP
50LR85	50	415	6360	12,000	19,100	4.1	100SP
60LR85	60	415	12,700	24,000	38,100	4.5	100SP
80LR85	80	415	13,200	38,100	82,500	4.9	100SP
100LR85	100	415	26,900	57,300	99,500	5	100SP

Dimensions - mm

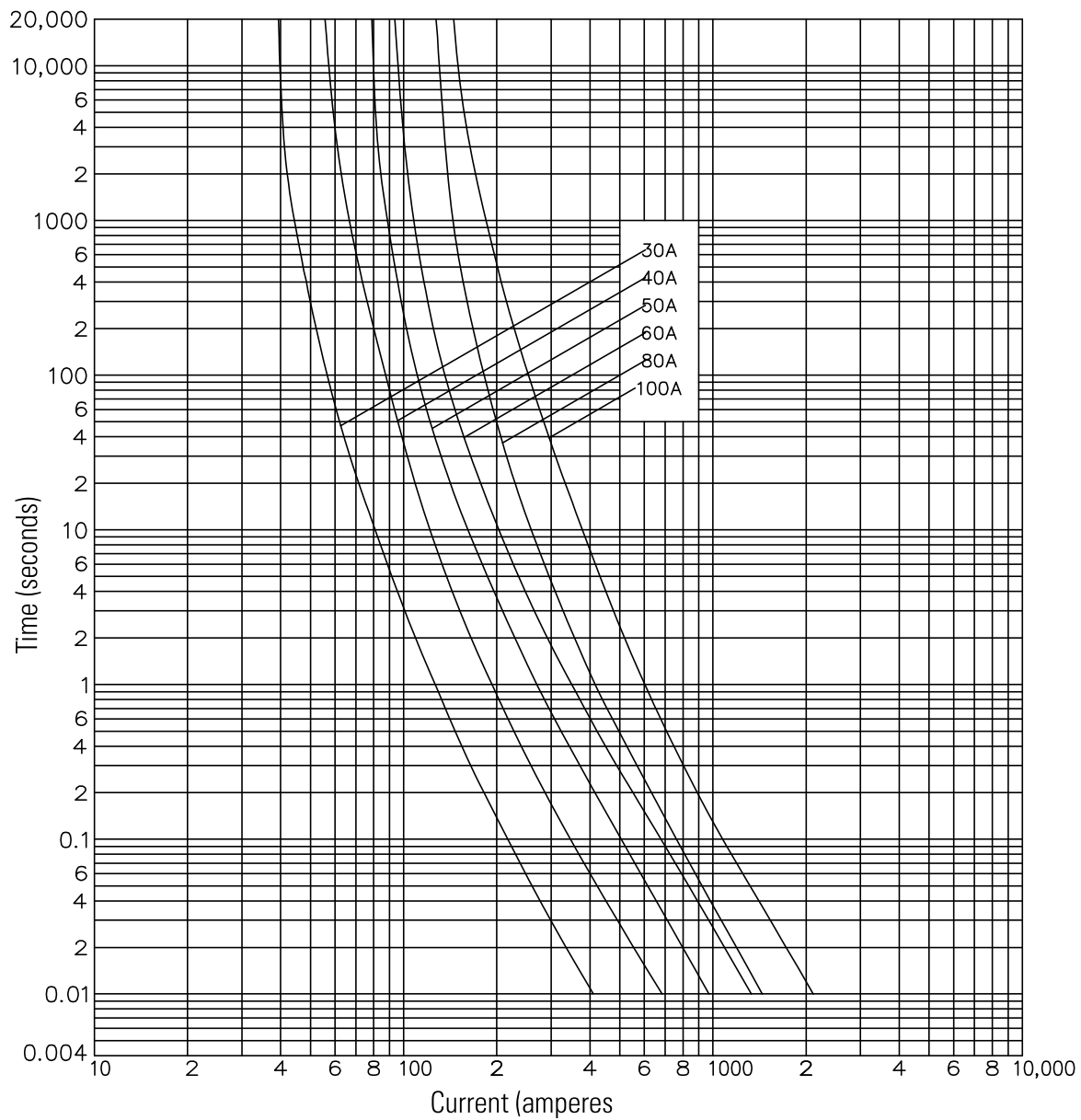


Technical Data 720114

Effective January 2019

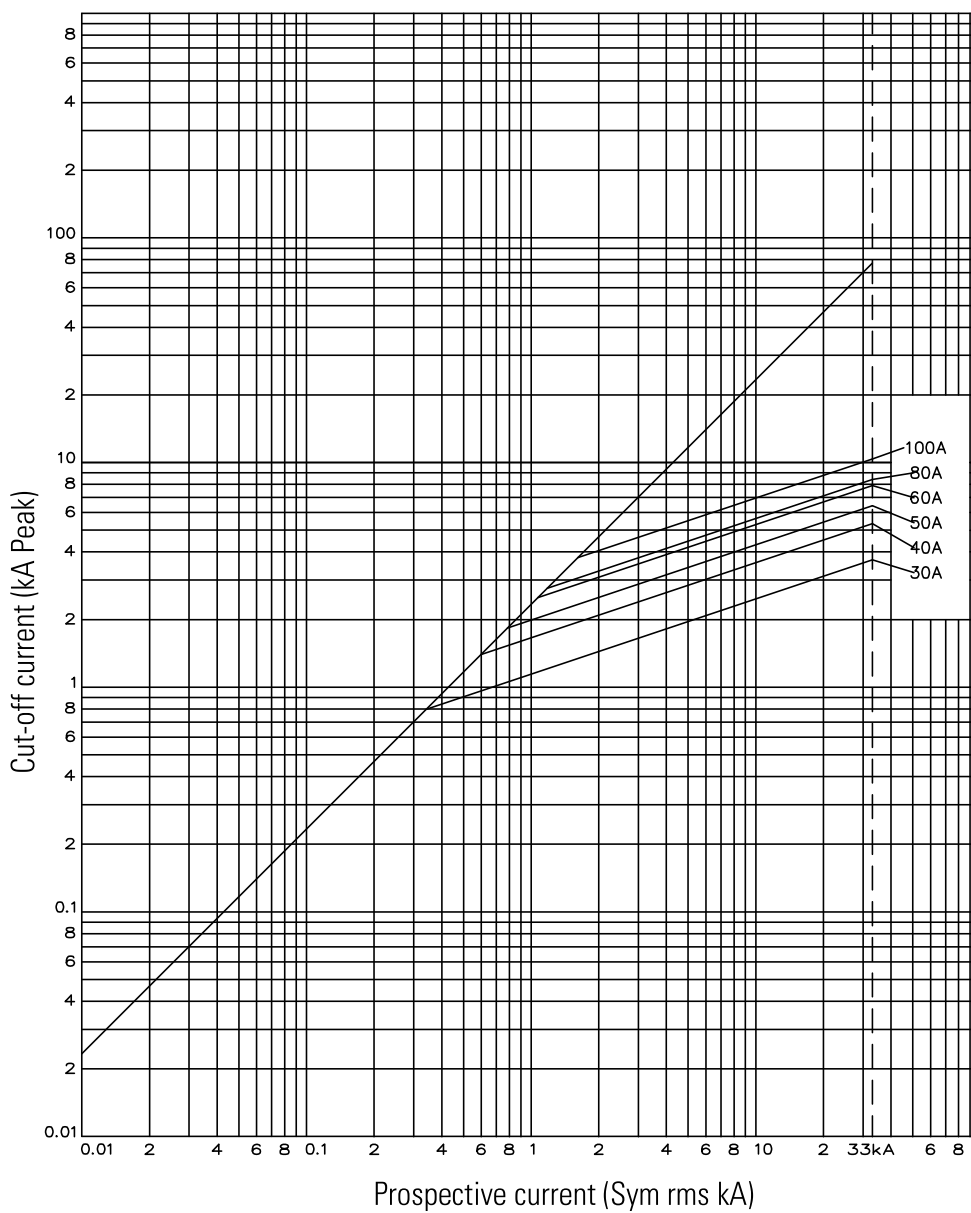
House service cut outs, fuse links and holders

Time-current curve characteristics - LR85



House service cut outs, fuse links and holders

Cut-off current curve - LR85



Technical Data 720114

Effective January 2019

House service cut outs, fuse links and holders

Catalogue symbol modular fuse holders

- 6080SP Single pole unit 60/80 A
- 100SP Single pole unit 100 A
- CNE-HS Single pole combined neutral and earth module
- SNE-HS Single pole separate neutral and earth module

Features

- Modularity
- Thermally efficient
- Ease of installation
- Reverse polarity
- Third party approved

Technical data

- Rated voltage: 415 V a.c.
- Rated current: 60/80 and 100 A
- Breaking capacity: 33 kA as per BS88-3

Standards/Approvals

- BS 7657
- Third party verified

Packaging

- MOQ: 10

Table 3. Technical Data

Catalogue number	Description	Rated voltage (V a.c.)	Rated current (Amps)	Pack quantity	Compatible fuse links
6080SP	Single pole unit 60/80 A	240/415	60/80	10	KR85
100SP	Single pole unit 100 A	240/415	100	10	LR85
CNE-HS	Combined neutral and earth module	240/415	N/A	10	KR85 and LR85
SNE-HS	Separate neutral and earth module	240/415	N/A	10	KR85 and LR85



60/80SP



100SP



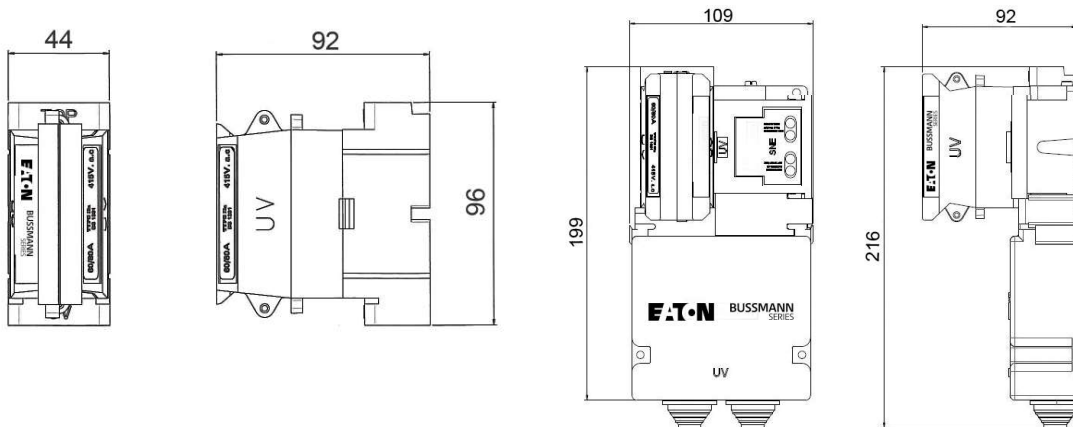
CNE



SNE

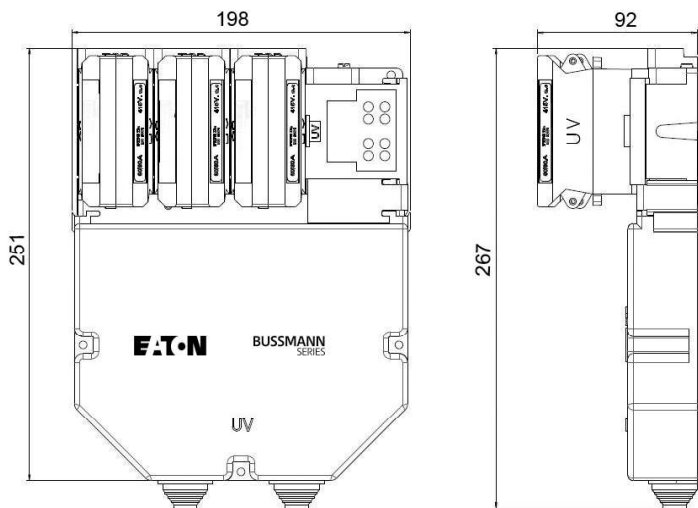
House service cut outs, fuse links and holders

Dimensions - mm



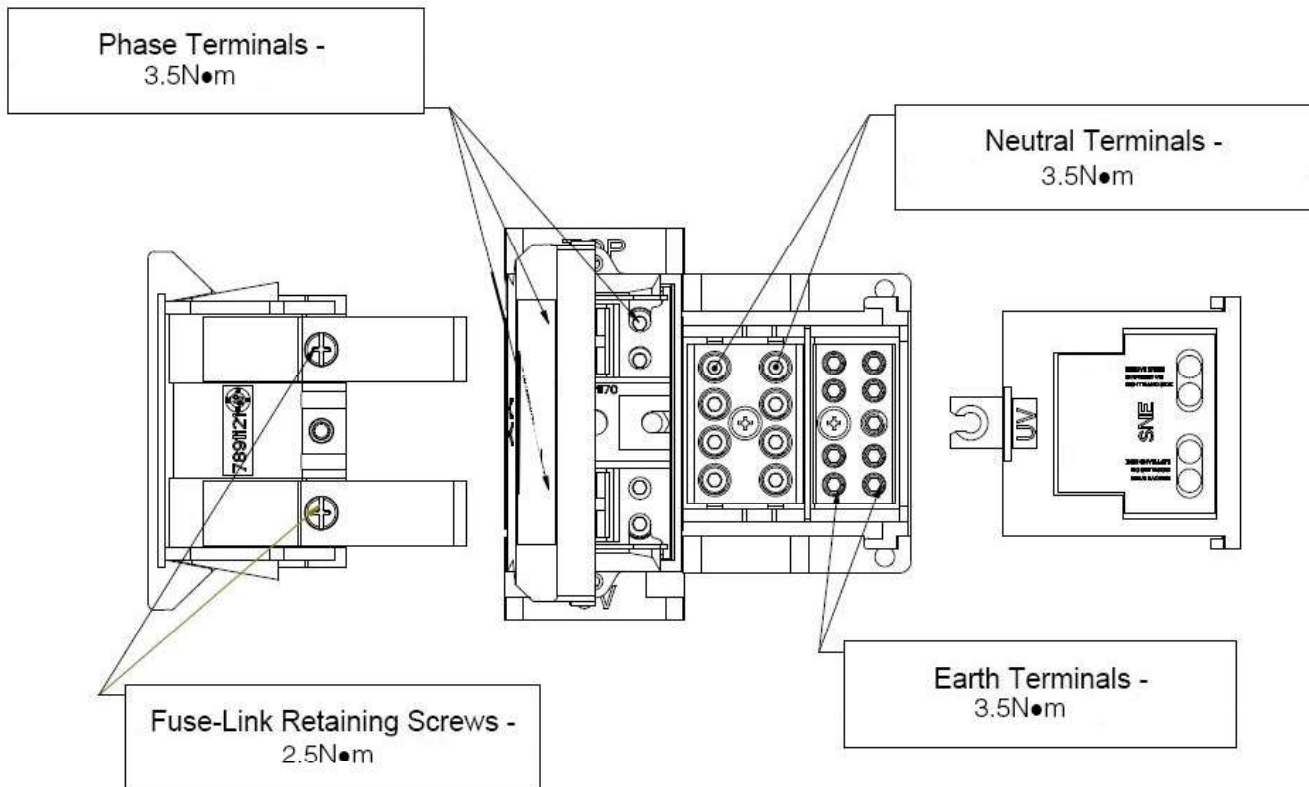
Single-pole configuration

Single-pole and CNE or SNE configuration



Three-pole and CNE or SNE configuration

Modular fuse holder recommended torque values



Changes to the products, to the information contained in this document, and to prices are reserved; so are errors and omissions. Only order confirmations and technical documentation by Eaton is binding. Photos and pictures also do not warrant a specific layout or functionality. Their use in whatever form is subject to prior approval by Eaton. The same applies to Trademarks (especially Eaton, Moeller, and Cutler-Hammer). The Terms and Conditions of Eaton apply, as referenced on Eaton Internet pages and Eaton order confirmations.

Eaton Electrical Products Limited
 Melton Road
 Burton-on-the-Wolds
 LE12 5TH, United Kingdom
 www.eaton.com

© 2018 Eaton
 All Rights Reserved
 Publication No. 720114
 January 2019



Eaton is a registered trademark.

All other trademarks are property of their respective owners.



SCATTERGOOD & JOHNSON LTD

ELECTRICAL ENGINEERING & FLUID CONTROL DISTRIBUTORS

Est.1899

At Scattergood & Johnson Ltd, we pride ourselves on being a technical distributor to specialist industries.

Working with a range of quality product suppliers across a number of specialist markets, we are not your average 'box shifter' - we are your technical and supply chain partner.

We fully support every product we sell - for free! Our internal team and external sales engineers can answer any product or application question, no matter the complexity.

Backing up this technical ability is a range of 50,000+ products available from stock for nationwide next day delivery (same day if required!), or you can collect what you need from any of our trade counters around the UK.

Select your specialist interest below to learn more about how we can help.



Online, In Branch and On the Road - Scattergood & Johnson Ltd, there when you need us.

www.scatts.co.uk