

Patch panel - NBC-PP-J1PGY-S/R4IDC8 - 1100077



<https://www.phoenixcontact.com/il/products/1100077>

Please be informed that the data shown in this PDF document is generated from our Online Catalog. Please find the complete data in the user documentation. Our General Terms of Use for Downloads are valid.



DIN rail adapter, degree of protection: IP20, number of positions: 8, 10 Gbps, CAT6_A, material: PC-GF10, connection method: IDC connection, connection cross section: AWG 26- 22, Item set, DIN rail adapter including RJ45 cable connection module

Product Description

Compact DIN rail adapter, including RJ45 cable connection module, with optional shield connection, with dust protection cover, one-piece design

Your advantages

- For distributing copper and fiber optic cabling
- Assembly without special tools
- Compact design: 1TE (DIN 43880)
- One-Piece Design
- Front release without special tool
- Optional overall shielding braid for copper modules
- Security elements available as accessories
- Marking service: Phoenix Contact can custom-mark all labels according to your requirements
- Adapter-less integration of module inserts

Patch panel - NBC-PP-J1PGY-S/R4IDC8 - 1100077



<https://www.phoenixcontact.com/il/products/1100077>

Commercial Data

Order Key	1100077
Packing unit	1 pc
Minimum order quantity	1 pc
GTIN	4055626951447
Weight per Piece (including packing)	49.6 GRM
Weight per Piece (excluding packing)	49.0 GRM
Customs tariff number	85444210
Country of origin	DE

Patch panel - NBC-PP-J1PGY-S/R4IDC8 - 1100077



<https://www.phoenixcontact.com/il/products/1100077>

Technical Data

Cable / line

Cable structure

External cable diameter	4.5 mm ... 9 mm
-------------------------	-----------------

Environmental and real-life conditions

Ambient conditions

Degree of protection	IP20
----------------------	------

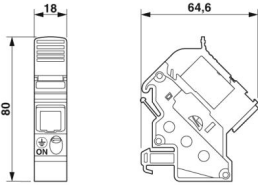
Notes

Notes on operation	Set item with RJ45 cable connection module
--------------------	--

Electrical properties

Frequency range	500 MHz
Contact resistance	≤ 5 mΩ (Shield-ground, optional)
Rated voltage (III/3)	72 V (DC)

Dimensions

Dimensional drawing	
Height	80 mm
Width	18 mm
Depth	64.6 mm

Material specifications

Material, protective cover	PC
Housing material	PC-GF10
Flammability rating according to UL 94	V0

Mounting

Mounting type	DIN rail: 35 mm
---------------	-----------------

Product properties

Number of positions	8
Type	DIN rail module, one-piece
Number of slots	1
Set consists of	1041740 NBC-PP-G1PGY 1417274 CUC-I-J1ZNI-S/R4IDC8

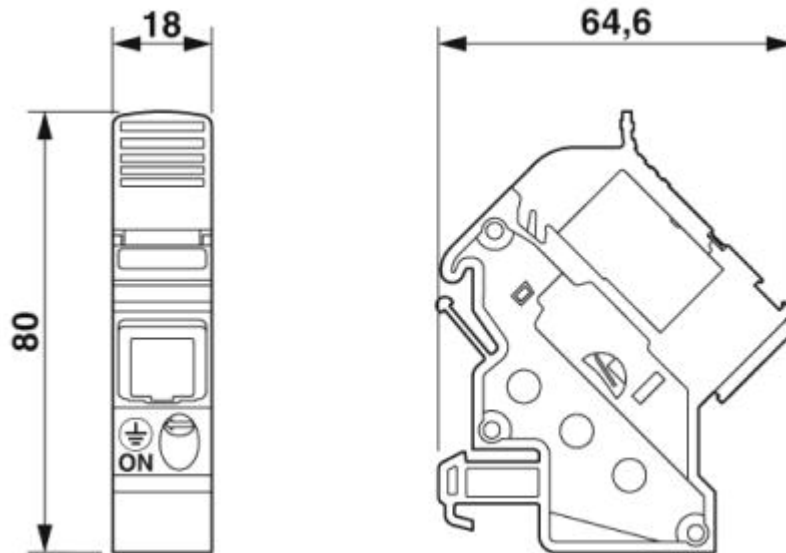
Patch panel - NBC-PP-J1PGY-S/R4IDC8 - 1100077



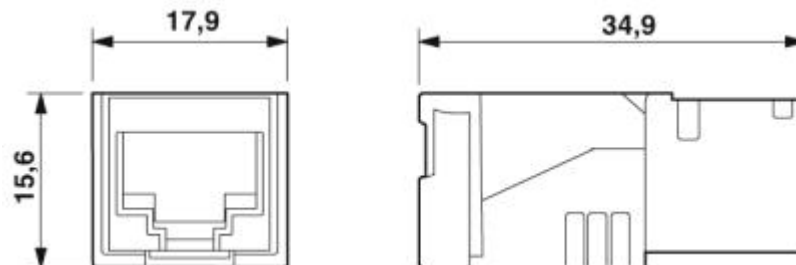
<https://www.phoenixcontact.com/il/products/1100077>

Drawings

Dimensional drawing



Dimensional drawing



Patch panel - NBC-PP-J1PGY-S/R4IDC8 - 1100077



<https://www.phoenixcontact.com/il/products/1100077>

Approvals

EAC 

Patch panel - NBC-PP-J1PGY-S/R4IDC8 - 1100077



<https://www.phoenixcontact.com/il/products/1100077>

Accessories

Data cable by the meter

Data cable by the meter - VS-OE-OE-93B-100,0 - 1416389



Network cable, PROFINET CAT5 (100 Mbps), 4-position, PVC, green RAL 6018, shielded, free cable end, on free cable end, cable length: 100 m

Data cable by the meter

Data cable by the meter - VS-OE-OE-94B-100,0 - 1416567



Network cable, Ethernet CAT5 (1 Gbps), 8-position, PUR halogen-free, water blue RAL 5021, shielded, free cable end, on free cable end, cable length: 100 m

Patch panel - NBC-PP-J1PGY-S/R4IDC8 - 1100077



<https://www.phoenixcontact.com/il/products/1100077>

Data cable by the meter

Data cable by the meter - VS-OE-OE-94F/... - 1417359



Network cable, Ethernet CAT6_A (10 Gbps), 8-position, PUR halogen-free, water blue RAL 5021, shielded, free cable end, on free cable end, cable length: Free entry (0.5 ... 400 m)

Female insert

Female insert - NBC-PP-P1PGY:10 - 1041860



Dust protection cover

Patch panel - NBC-PP-J1PGY-S/R4IDC8 - 1100077

<https://www.phoenixcontact.com/il/products/1100077>

Female insert

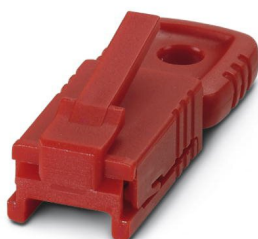
Female insert - NBC-PP-F1PWH:10 - 1041881



Plug Guard Security Frame

Female insert

Female insert - NBC-PP-A1PRD:10 - 1041900



Port Guard Security Element

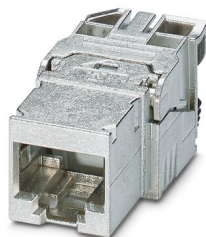
Patch panel - NBC-PP-J1PGY-S/R4IDC8 - 1100077



<https://www.phoenixcontact.com/il/products/1100077>

Female insert

Female insert - CUC-I-J1ZNI-S/R4IDC8 - 1417274



RJ45 socket insert, type: RJ45, degree of protection: IP20, number of positions: 8, 10 Gbps, CAT6_A, material: Zinc die-cast, connection method: IDC connection, connection cross section: AWG 26- 22, cable outlet: straight, Adapter-free design

Mounting rail adapter

Mounting rail adapter - FL DIN RA - 2891053

The FL DIN RA is installed in a standard, 19-inch rack (EIA-310-D, IEC 60297-3-100) to allow DIN rail mounted equipment to be rack mounted.



Patch panel - NBC-PP-J1PGY-S/R4IDC8 - 1100077



<https://www.phoenixcontact.com/il/products/1100077>

Labeled terminal marker

Labeled terminal marker - UC-TMF 16 CUS - 0824678



Marker for terminal blocks, can be ordered: by sheet, white, labeled according to customer specifications, mounting type: snap into flat marker groove, for terminal block width: 16 mm, lettering field size: 15.45 x 5.1 mm, Number of individual labels: 32

Labeled terminal marker

Labeled terminal marker - UC-TMF 16 RD CUS - 0824682



Marker for terminal blocks, can be ordered: by sheet, red, labeled according to customer specifications, mounting type: snap into flat marker groove, for terminal block width: 16 mm, lettering field size: 15.45 x 5.1 mm, Number of individual labels: 32

Patch panel - NBC-PP-J1PGY-S/R4IDC8 - 1100077



<https://www.phoenixcontact.com/il/products/1100077>

Labeled terminal marker

Labeled terminal marker - UC-TMF 16 BU CUS - 0824679



Marker for terminal blocks, can be ordered: by sheet, blue, labeled according to customer specifications, mounting type: snap into flat marker groove, for terminal block width: 16 mm, lettering field size: 15.45 x 5.1 mm, Number of individual labels: 32

Labeled terminal marker

Labeled terminal marker - UC-TMF 16 OG CUS - 0824681



Marker for terminal blocks, can be ordered: by sheet, orange, labeled according to customer specifications, mounting type: snap into flat marker groove, for terminal block width: 16 mm, lettering field size: 15.45 x 5.1 mm, Number of individual labels: 32

Patch panel - NBC-PP-J1PGY-S/R4IDC8 - 1100077



<https://www.phoenixcontact.com/il/products/1100077>

Labeled terminal marker

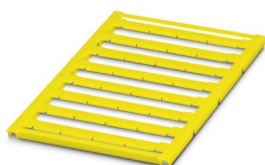
Labeled terminal marker - UC-TMF 16 VT CUS - 0824683



Marker for terminal blocks, can be ordered: by sheet, violet, labeled according to customer specifications, mounting type: snap into flat marker groove, for terminal block width: 16 mm, lettering field size: 15.45 x 5.1 mm, Number of individual labels: 32

Labeled terminal marker

Labeled terminal marker - UC-TMF 16 YE CUS - 0824684



Marker for terminal blocks, can be ordered: by sheet, yellow, labeled according to customer specifications, mounting type: snap into flat marker groove, for terminal block width: 16 mm, lettering field size: 15.45 x 5.1 mm, Number of individual labels: 32

Patch panel - NBC-PP-J1PGY-S/R4IDC8 - 1100077



<https://www.phoenixcontact.com/il/products/1100077>

Labeled terminal marker

Labeled terminal marker - UC-TMF 16 GN CUS - 0824680



Marker for terminal blocks, can be ordered: by sheet, green, labeled according to customer specifications, mounting type: snap into flat marker groove, for terminal block width: 16 mm, lettering field size: 15.45 x 5.1 mm, Number of individual labels: 32

Terminal marking

Terminal marking - UC-TMF 16 - 0819262



Marker for terminal blocks, Sheet, white, unlabeled, can be labeled with: BLUEMARK ID COLOR, BLUEMARK ID, BLUEMARK CLED, PLOTMARK, CMS-P1-PLOTTER, mounting type: snap into flat marker groove, for terminal block width: 16 mm, lettering field size: 15.45 x 5.1 mm, Number of individual labels: 32

Patch panel - NBC-PP-J1PGY-S/R4IDC8 - 1100077



<https://www.phoenixcontact.com/il/products/1100077>

Terminal marking

Terminal marking - UC-TMF 16 VT - 0822699



Marker for terminal blocks, Sheet, violet, unlabeled, can be labeled with: BLUEMARK ID COLOR, BLUEMARK ID, BLUEMARK CLED, PLOTMARK, CMS-P1-PLOTTER, mounting type: snap into flat marker groove, for terminal block width: 16 mm, lettering field size: 15.45 x 5.1 mm, Number of individual labels: 32

Terminal marking

Terminal marking - UC-TMF 16 YE - 0819259



Marker for terminal blocks, Sheet, yellow, unlabeled, can be labeled with: BLUEMARK ID COLOR, BLUEMARK ID, BLUEMARK CLED, PLOTMARK, CMS-P1-PLOTTER, mounting type: snap into flat marker groove, for terminal block width: 16 mm, lettering field size: 15.45 x 5.1 mm, Number of individual labels: 32

Patch panel - NBC-PP-J1PGY-S/R4IDC8 - 1100077



<https://www.phoenixcontact.com/il/products/1100077>

Terminal marking

Terminal marking - UC-TMF 16 GN - 0817921



Marker for terminal blocks, Sheet, green, unlabeled, can be labeled with: BLUEMARK ID COLOR, BLUEMARK ID, BLUEMARK CLED, PLOTMARK, CMS-P1-PLOTTER, mounting type: snap into flat marker groove, for terminal block width: 16 mm, lettering field size: 15.45 x 5.1 mm, Number of individual labels: 32

Terminal marking

Terminal marking - UC-TMF 16 OG - 0817811



Marker for terminal blocks, Sheet, orange, unlabeled, can be labeled with: BLUEMARK ID COLOR, BLUEMARK ID, BLUEMARK CLED, PLOTMARK, CMS-P1-PLOTTER, mounting type: snap into flat marker groove, for terminal block width: 16 mm, lettering field size: 15.45 x 5.1 mm, Number of individual labels: 32

Patch panel - NBC-PP-J1PGY-S/R4IDC8 - 1100077



<https://www.phoenixcontact.com/il/products/1100077>

Terminal marking

Terminal marking - UC-TMF 16 BU - 0817905



Marker for terminal blocks, Sheet, blue, unlabeled, can be labeled with: BLUEMARK ID COLOR, BLUEMARK ID, BLUEMARK CLED, PLOTMARK, CMS-P1-PLOTTER, mounting type: snap into flat marker groove, for terminal block width: 16 mm, lettering field size: 15.45 x 5.1 mm, Number of individual labels: 32

Terminal marking

Terminal marking - UC-TMF 16 RD - 0817824



Marker for terminal blocks, Sheet, red, unlabeled, can be labeled with: BLUEMARK ID COLOR, BLUEMARK ID, BLUEMARK CLED, PLOTMARK, CMS-P1-PLOTTER, mounting type: snap into flat marker groove, for terminal block width: 16 mm, lettering field size: 15.45 x 5.1 mm, Number of individual labels: 32

Patch panel - NBC-PP-J1PGY-S/R4IDC8 - 1100077



<https://www.phoenixcontact.com/il/products/1100077>

Electronics pliers

Electronics pliers - MICROFOX-SP-1 - 1212487



Electronic diagonal cutter, tapered head, without chamfer, with opening spring, non-reflective phosphate-treated surface, punched version

Phoenix Contact 2021 © - all rights reserved
<https://www.phoenixcontact.com>

PHOENIX CONTACT Israel Ltd.
P.O.B. 1799 Industrial Park Hasharon
Quadima 60920
+972-9-8915700
info@phoenixcontact.co.il



SCATTERGOOD & JOHNSON LTD

ELECTRICAL ENGINEERING & FLUID CONTROL DISTRIBUTORS

Est.1899

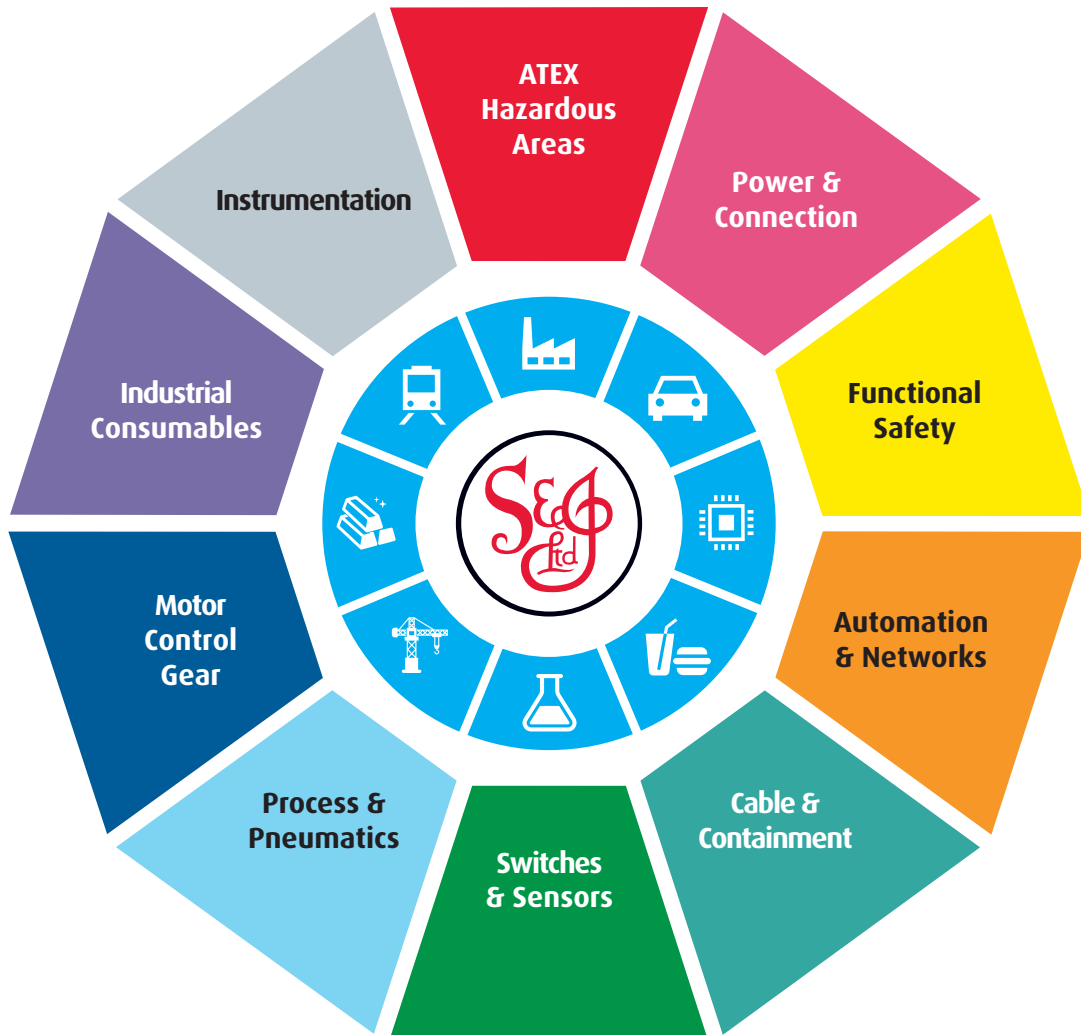
At Scattergood & Johnson Ltd, we pride ourselves on being a technical distributor to specialist industries.

Working with a range of quality product suppliers across a number of specialist markets, we are not your average 'box shifter' - we are your technical and supply chain partner.

We fully support every product we sell - for free! Our internal team and external sales engineers can answer any product or application question, no matter the complexity.

Backing up this technical ability is a range of 50,000+ products available from stock for nationwide next day delivery (same day if required!), or you can collect what you need from any of our trade counters around the UK.

Select your specialist interest below to learn more about how we can help.



Online, In Branch and On the Road - Scattergood & Johnson Ltd, there when you need us.

www.scatts.co.uk