

I/O component - AXL E PN DI8 DO8 M12 6M - 2701515

<https://www.phoenixcontact.com/il/products/2701515>

Please be informed that the data shown in this PDF document is generated from our Online Catalog. Please find the complete data in the user documentation. Our General Terms of Use for Downloads are valid.



Axioline E, Digital I/O device, PROFINET, M12 fast connection technology, Digital inputs: 8, 24 V DC, connection method: 4-conductor, Digital outputs: 8, 24 V DC, 500 mA, connection method: 3-conductor, Metal housing, degree of protection: IP65/IP67

Product Description

The Axioline E device is designed for use within a PROFINET network. It is used to acquire and output digital signals. The device is designed for use in systems manufacturing. It is suitable for use without a control cabinet under harsh industrial conditions. The Axioline E device can be used on tool platforms, directly on welding robots or in conveying technology, for example.

Your advantages

- Connection to PROFINET network using M12 connectors (D-coded)
- Transmission speed of 100 Mbps
- Connection of digital sensors and actuators using M12 connectors (A-coded)
- Diagnostic and status indicators
- Short-circuit and overload protection of the sensor supply
- IP65/IP67 degree of protection
- The Axioline E device is, together with the accessory items from the AXL E ATEX PROTECTION SET (Order No. 1182217), suitable for installation in potentially explosive areas of zone 2 and zone 22.

I/O component - AXL E PN DI8 DO8 M12 6M - 2701515



<https://www.phoenixcontact.com/il/products/2701515>

Commercial Data

Order Key	2701515
Packing unit	1 pc
Minimum order quantity	1 pc
Catalog Page	Page 175 (C-6-2019)
GTIN	4046356763653
Weight per Piece (including packing)	739.2 GRM
Weight per Piece (excluding packing)	739.0 GRM
Customs tariff number	85176200
Country of origin	DE

I/O component - AXL E PN DI8 DO8 M12

6M - 2701515



<https://www.phoenixcontact.com/il/products/2701515>

Technical Data

Electrical properties

Potentials

Current consumption from U_S	typ. 8 mA
	max. 1.2 A
Voltage supply U_S	24 V DC
Power supply at U_S	max. 4 A

Supply: Actuators

Supply voltage	24 V DC
Designation	Actuators (U_A)
Number of positions	4
Current consumption	typ. 30 mA \pm 15 % (at 24 V DC)
	max. 12 A
Supply voltage range	18 V DC ... 31.2 V DC (including all tolerances, including ripple)
Connection method	M12 connector (T-coded)

Supply: Module electronics and sensors

Supply voltage	24 V DC
Designation	Module electronics and sensors (U_S)
Number of positions	4
Current consumption	typ. 190 mA \pm 15 % (at 24 V DC)
	max. 12 A
Supply voltage range	18 V DC ... 31.2 V DC (including all tolerances, including ripple)
Connection method	M12 connector (T-coded)

Dimensions

Dimensional drawing	
Note on dimensions	The height is 194.5 mm including the mounting plate. With fixing clips pulled out, the height is 212 mm. The depth is 38 mm including the mounting plate (30.5 mm without the mounting plate).
Drill hole spacing	198.5 mm
Height	185 mm
Width	60 mm
Depth	38 mm

I/O component - AXL E PN DI8 DO8 M12 6M - 2701515

<https://www.phoenixcontact.com/il/products/2701515>

Output data

Digital

Nominal load, ohmic	12 W (48 Ω , with nominal voltage)
Maximum output current per channel	500 mA
Nominal output voltage	24 V DC (from voltage U_A)
Output name	Digital outputs
Nominal load, inductive	12 VA (1.2 H, 48 Ω , with nominal voltage)
Connection technology	3-conductor
Reverse voltage resistance to short pulses	Reverse voltage proof
Output voltage when switched off	max. 1 V
Connection method	M12 connector, double occupancy
Behavior with overload	Auto restart
Switching frequency	max. 5500 per second (with at least 50 mA load current) max. 1 per second (with inductive load)
Output voltage	24 V DC
Number of outputs	8
Protective circuit	Overload protection, short-circuit protection of outputs; yes
Output current when switched off	max. 20 μ A

Material specifications

Housing material	Zinc die-cast
------------------	---------------

Mounting

Mounting type	Wall mounting or DIN rail mounting; both with mounting plate.
---------------	---

Interfaces

PROFINET

Designation connection point	Copper cable
System-specific protocols	PROFINET protocols LLDP PROFINET protocols MRP client PROFINET protocols DCP PROFINET protocols DCE-RPC
Number of positions	4
Protocols supported	SNMP v1 HTTP TFTP FTP
Equipment type	PROFINET-Device
No. of channels	2
Note on the connection method	D-coded
Connection method	M12 fast connection technology
Transmission speed	100 Mbps (with auto negotiation)

I/O component - AXL E PN DI8 DO8 M12

6M - 2701515

<https://www.phoenixcontact.com/il/products/2701515>

Input data

Digital

Nominal input voltage U_{IN}	24 V DC
Connection technology	4-conductor
Description of the input	EN 61131-2 types 1 and 3
Input filter time	< 1000 μ s
Input voltage range "1" signal	11 V DC ... 30 V DC
Protective circuit	Overload protection, short-circuit protection of sensor supply
Input voltage range "0" signal	0 V ... 5 V DC
Connection method	M12 connector, double occupancy
Nominal input current at U_{IN}	typ. 3 mA
Number of inputs	8
Input name	Digital inputs

Ambient conditions

Air pressure (operation)	70 kPa ... 106 kPa (up to 3000 m above sea level)
Ambient temperature (operation)	-25 °C ... 60 °C
Ambient temperature (storage/transport)	-25 °C ... 85 °C
Degree of protection	IP65/IP67
Air pressure (storage/transport)	70 kPa ... 106 kPa (up to 3000 m above sea level)
Permissible humidity (storage/transport)	5 % ... 95 %
Permissible humidity (operation)	5 % ... 95 %

Connection data

Connection method	M12 connector
-------------------	---------------

Notes

Utilization restriction

EMC note	EMC: class A product, see manufacturer's declaration in the download area
----------	---

Environmental Product Compliance

REACH SVHC	Lead 7439-92-1
China RoHS	Environmentally Friendly Use Period = 25; For details about hazardous substances go to tab "Downloads", Category "Manufacturer's declaration"

Standards and regulations

Protection class	III (IEC 61140, EN 61140, VDE 0140-1)
------------------	---------------------------------------

Product properties

Type	Block design
	Axioline

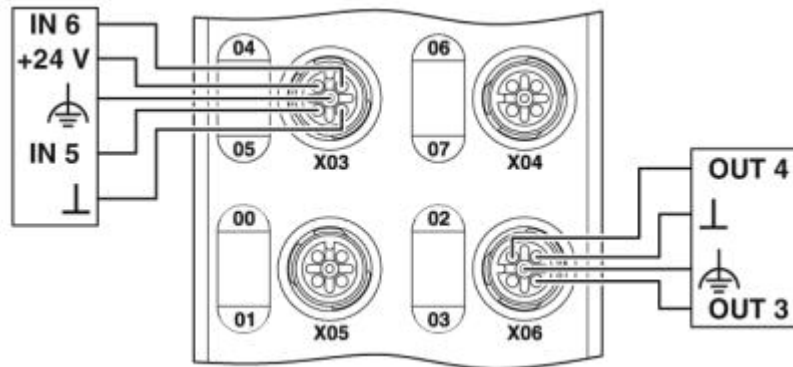
I/O component - AXL E PN DI8 DO8 M12 6M - 2701515



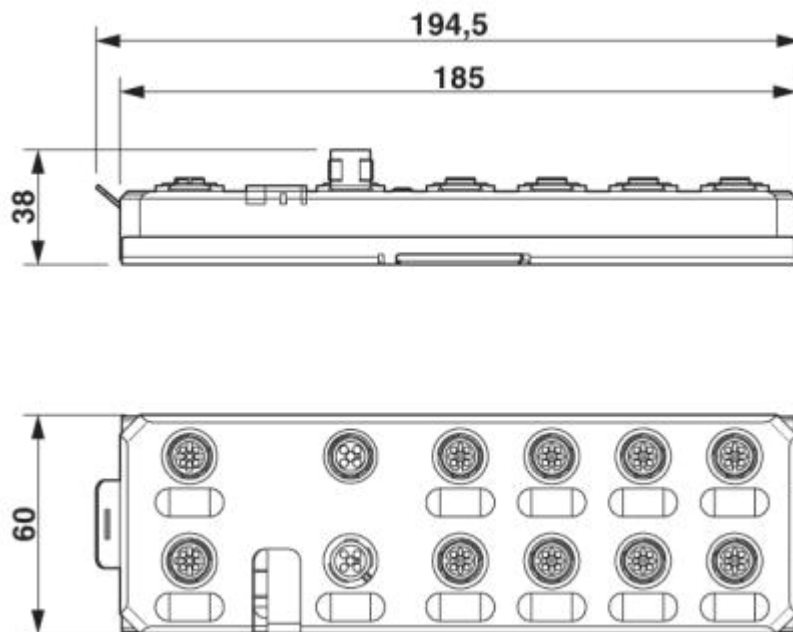
<https://www.phoenixcontact.com/il/products/2701515>

Drawings

Connection diagram



Dimensional drawing





I/O component - AXL E PN DI8 DO8 M12 6M - 2701515



<https://www.phoenixcontact.com/il/products/2701515>

Approvals


UL Listed 

cUL Listed 


PROFINET

cULus Listed

cULus Listed

UL Listed 

cUL Listed 

ATEX 

I/O component - AXL E PN DI8 DO8 M12 6M - 2701515



<https://www.phoenixcontact.com/il/products/2701515>

Environmental Product Compliance

REACH SVHC	Lead 7439-92-1
China RoHS	Environmentally Friendly Use Period = 25;
China RoHS	For details about hazardous substances go to tab "Downloads", Category "Manufacturer's declaration"

I/O component - AXL E PN DI8 DO8 M12 6M - 2701515



<https://www.phoenixcontact.com/il/products/2701515>

Accessories

Data cable preassembled

Data cable preassembled - NBC-MSD SCO-PN/.../... - 1408640



Network cable, PROFINET CAT5 (100 Mbps), EtherCAT[®] CAT5 (100 Mbps), 4-position, Variable cable type, shielded, Plug straight M12 SPEEDCON / IP67, coding: D, on free cable end, cable length: Free input (0.2 ... 40.0 m)

Data cable preassembled

Data cable preassembled - NBC-MSD-FSD SCO-PN/.../... - 1408617



Network cable, PROFINET CAT5 (100 Mbps), EtherCAT[®] CAT5 (100 Mbps), 4-position, Variable cable type, shielded, Plug straight M12 SPEEDCON / IP67, coding: D, on Socket straight M12 SPEEDCON / IP67, coding: D, cable length: Free input (0.2 ... 40.0 m)

I/O component - AXL E PN DI8 DO8 M12 6M - 2701515

<https://www.phoenixcontact.com/il/products/2701515>

Data cable preassembled

Data cable preassembled - NBC-MSD-MSD SCO-PN/.../... - 1408634



Network cable, PROFINET CAT5 (100 Mbps), EtherCAT[®] CAT5 (100 Mbps), 4-position, Variable cable type, shielded, Plug straight M12 SPEEDCON / IP67, coding: D, on Plug straight M12 SPEEDCON / IP67, coding: D, cable length: Free input (0.2 ... 40.0 m)

Data cable preassembled

Data cable preassembled - NBC-MSD-R4AC SCO-PN/.../... - 1408639



Network cable, PROFINET CAT5 (100 Mbps), EtherCAT[®] CAT5 (100 Mbps), 4-position, Variable cable type, shielded, Plug straight M12 SPEEDCON / IP67, coding: D, on Plug straight RJ45 / IP20, cable length: Free input (0.2 ... 40.0 m)

I/O component - AXL E PN DI8 DO8 M12 6M - 2701515

<https://www.phoenixcontact.com/il/products/2701515>

Y-distributor

Y-distributor - SAC-3P-Y/2XM 8FS SCO - 1523984



Y distributor, 4-position, Plug straight M12 SPEEDCON, coding: A, on Socket straight M8, coding: A and Socket straight M8, coding: A

Y-distributor

Y-distributor - SAC-3P-Y/2XFS PE SCO - 1523971



Y distributor, 4-position, Plug straight M12 SPEEDCON, coding: A, on Socket straight M12 SPEEDCON, coding: A and Socket straight M12 SPEEDCON, coding: A

I/O component - AXL E PN DI8 DO8 M12 6M - 2701515

<https://www.phoenixcontact.com/il/products/2701515>

Y-distributor

Y-distributor - SAC-3P-Y/2XFS B PE SCO - 1523968



Y distributor, 4-position, Plug straight M12 SPEEDCON, coding: A, on Socket straight M12 SPEEDCON, coding: A, PIN 2+4 bridged and Socket straight M12 SPEEDCON, coding: A, PIN 2+4 bridged, Thread M12 socket not rotatable

Y-distributor

Y-distributor - SAC-5P-Y/2XFS VP SCO - 1546068



Y distributor, 5-position, Plug straight M12 SPEEDCON, coding: A, on Socket straight M12 SPEEDCON, coding: A and Socket straight M12 SPEEDCON, coding: A, Parallel distributor, Thread M12 socket not rotatable

I/O component - AXL E PN DI8 DO8 M12 6M - 2701515

<https://www.phoenixcontact.com/il/products/2701515>

Circular connector (cable-side)

Circular connector (cable-side) - SACC-M12MSD-4CON-PG 9-SH - 1521261



Data connector, Ethernet/PROFINET CAT5 (100 Mbps), 4-position, shielded, Plug straight M12, Coding: D, Screw connection, knurl material: Zinc die-cast, nickel-plated, cable gland Pg9, external cable diameter 6 mm ... 8 mm

Sensor/actuator cable

Sensor/actuator cable - SAC-3P-M12MS/.../... - 1696662



Sensor/actuator cable, 3-position, Variable cable type, Plug straight M12, coding: A, on free cable end, cable length: Free input (0.2 ... 40.0 m)

I/O component - AXL E PN DI8 DO8 M12 6M - 2701515

<https://www.phoenixcontact.com/il/products/2701515>

Sensor/actuator cable

Sensor/actuator cable - SAC-3P-M12MR/.../... - 1696675



Sensor/actuator cable, 3-position, Variable cable type, Plug angled M12, coding: A, on free cable end, cable length: Free input (0.2 ... 40.0 m)

Sensor/actuator cable

Sensor/actuator cable - SAC-3P-M12MS-M12FS/.../... - 1696756



Sensor/actuator cable, 3-position, Variable cable type, Plug straight M12, coding: A, on Socket straight M12, coding: A, cable length: Free input (0.2 ... 40.0 m)

I/O component - AXL E PN DI8 DO8 M12 6M - 2701515

<https://www.phoenixcontact.com/il/products/2701515>

Sensor/actuator cable

Sensor/actuator cable - SAC-3P-M12MR-M12FS/.../... - 1513428



Sensor/actuator cable, 3-position, Variable cable type, Plug angled M12, coding: A, on Socket straight M12, coding: A, cable length: Free input (0.2 ... 40.0 m)

Sensor/actuator cable

Sensor/actuator cable - SAC-3P-M12MR-M12FR/.../... - 1513318



Sensor/actuator cable, 3-position, Variable cable type, Plug angled M12, coding: A, on Socket angled M12, coding: A, cable length: Free input (0.2 ... 40.0 m)

I/O component - AXL E PN DI8 DO8 M12 6M - 2701515

<https://www.phoenixcontact.com/il/products/2701515>

Sensor/actuator cable

Sensor/actuator cable - SAC-4P-M12MR-M12FS/.../... - 1697030



Sensor/actuator cable, 4-position, Variable cable type, Plug angled M12, coding: A, on Socket straight M12, coding: A, cable length: Free input (0.2 ... 40.0 m)

Sensor/actuator cable

Sensor/actuator cable - SAC-4P-M12MR-M12FR/.../... - 1697043



Sensor/actuator cable, 4-position, Variable cable type, Plug angled M12, coding: A, on Socket angled M12, coding: A, cable length: Free input (0.2 ... 40.0 m)

I/O component - AXL E PN DI8 DO8 M12 6M - 2701515

<https://www.phoenixcontact.com/il/products/2701515>

Sensor/actuator cable

Sensor/actuator cable - SAC-5P-M12MS/.../... - 1697098



Sensor/actuator cable, 5-position, Variable cable type, Plug straight M12, coding: A, on free cable end, cable length: Free input (0.2 ... 40.0 m)

Sensor/actuator cable

Sensor/actuator cable - SAC-5P-M12MR/.../... - 1697108



Sensor/actuator cable, 5-position, Variable cable type, Plug angled M12, coding: A, on free cable end, cable length: Free input (0.2 ... 40.0 m)

I/O component - AXL E PN DI8 DO8 M12 6M - 2701515

<https://www.phoenixcontact.com/il/products/2701515>

Sensor/actuator cable

Sensor/actuator cable - SAC-5P-M12MR-M12FS/.../... - 1508734



Sensor/actuator cable, 5-position, Variable cable type, Plug angled M12, coding: A, on Socket straight M12, coding: A, cable length: Free input (0.2 ... 40.0 m)

Sensor/actuator cable

Sensor/actuator cable - SAC-5P-M12MR-M12FR/.../... - 1529506



Sensor/actuator cable, 5-position, Variable cable type, Plug angled M12, coding: A, on Socket angled M12, coding: A, cable length: Free input (0.2 ... 40.0 m)

I/O component - AXL E PN DI8 DO8 M12 6M - 2701515

<https://www.phoenixcontact.com/il/products/2701515>

Device marking

Device marking - UCT-EM (7X10) - 0830765



Snap-in markers, Sheet, white, unlabeled, can be labeled with: TOPMARK NEO, TOPMARK LASER, BLUEMARK ID COLOR, BLUEMARK ID, BLUEMARK CLED, THERMOMARK PRIME, THERMOMARK CARD 2.0, THERMOMARK CARD, mounting type: snapped into marker carrier, lettering field size: 7 x 10 mm, Number of individual labels: 30

Adapter

Adapter - AXL E ATEX PROTECTION SET - 1182217



Axioline E accessory set for AXL E-PROFINET metal devices for use in zone 2 and zone 22 potentially explosive areas

I/O component - AXL E PN DI8 DO8 M12 6M - 2701515

<https://www.phoenixcontact.com/il/products/2701515>

Power cable

Power cable - SAC-4P- 1,5-PUR/M12FRT SH - 1424116



Power cable, 4-position, PUR halogen-free, black RAL 9005, shielded (Advanced Shielding Technology), free cable end, on Socket angled M12, coding: T, cable length: 1.5 m, For direct current up to 12 A/63 V

Power cable

Power cable - SAC-4P-M12MST/ 1,5-PUR SH - 1424120



Power cable, 4-position, PUR halogen-free, black RAL 9005, shielded (Advanced Shielding Technology), Plug straight M12, coding: T, on free cable end, cable length: 1.5 m, For direct current up to 12 A/63 V

I/O component - AXL E PN DI8 DO8 M12 6M - 2701515

<https://www.phoenixcontact.com/il/products/2701515>

Power cable

Power cable - SAC-4P-M12MST/ 1,0-PUR - 1408812



Power cable, 4-position, PUR halogen-free, black-gray RAL 7021, Plug straight M12, coding: T, on free cable end, cable length: 1 m, For direct current up to 12 A/63 V

Power cable

Power cable - SAC-4P-M12MST/ 2,0-PUR - 1408813



Power cable, 4-position, PUR halogen-free, black-gray RAL 7021, Plug straight M12, coding: T, on free cable end, cable length: 2 m, For direct current up to 12 A/63 V

I/O component - AXL E PN DI8 DO8 M12 6M - 2701515

<https://www.phoenixcontact.com/il/products/2701515>

Power cable

Power cable - SAC-4P-M12MST/ 5,0-PUR - 1408814



Power cable, 4-position, PUR halogen-free, black-gray RAL 7021, Plug straight M12, coding: T, on free cable end, cable length: 5 m, For direct current up to 12 A/63 V

Power cable

Power cable - SAC-4P-M12MST/10,0-PUR - 1408815



Power cable, 4-position, PUR halogen-free, black-gray RAL 7021, Plug straight M12, coding: T, on free cable end, cable length: 10 m, For direct current up to 12 A/63 V

I/O component - AXL E PN DI8 DO8 M12 6M - 2701515

<https://www.phoenixcontact.com/il/products/2701515>

Power cable

Power cable - SAC-4P-M12MRT/ 1,0-PUR - 1408816



Power cable, 4-position, PUR halogen-free, black-gray RAL 7021, Plug angled M12, coding: T, on free cable end, cable length: 1 m, For direct current up to 12 A/63 V

Power cable

Power cable - SAC-4P-M12MRT/ 2,0-PUR - 1408819



Power cable, 4-position, PUR halogen-free, black-gray RAL 7021, Plug angled M12, coding: T, on free cable end, cable length: 2 m, For direct current up to 12 A/63 V

I/O component - AXL E PN DI8 DO8 M12 6M - 2701515

<https://www.phoenixcontact.com/il/products/2701515>

Power cable

Power cable - SAC-4P-M12MRT/ 5,0-PUR - 1408820



Power cable, 4-position, PUR halogen-free, black-gray RAL 7021, Plug angled M12, coding: T, on free cable end, cable length: 5 m, For direct current up to 12 A/63 V

Power cable

Power cable - SAC-4P-M12MRT/10,0-PUR - 1408822



Power cable, 4-position, PUR halogen-free, black-gray RAL 7021, Plug angled M12, coding: T, on free cable end, cable length: 10 m, For direct current up to 12 A/63 V

I/O component - AXL E PN DI8 DO8 M12 6M - 2701515

<https://www.phoenixcontact.com/il/products/2701515>

Power cable

Power cable - SAC-4P- 1,0-PUR/M12FST - 1408823



Power cable, 4-position, PUR halogen-free, black-gray RAL 7021, free cable end, on Socket straight M12, coding: T, cable length: 1 m, For direct current up to 12 A/63 V

Power cable

Power cable - SAC-4P- 2,0-PUR/M12FST - 1408824



Power cable, 4-position, PUR halogen-free, black-gray RAL 7021, free cable end, on Socket straight M12, coding: T, cable length: 2 m, For direct current up to 12 A/63 V

I/O component - AXL E PN DI8 DO8 M12 6M - 2701515

<https://www.phoenixcontact.com/il/products/2701515>

Power cable

Power cable - SAC-4P- 5,0-PUR/M12FST - 1408825



Power cable, 4-position, PUR halogen-free, black-gray RAL 7021, free cable end, on Socket straight M12, coding: T, cable length: 5 m, For direct current up to 12 A/63 V

Power cable

Power cable - SAC-4P-10,0-PUR/M12FST - 1408826



Power cable, 4-position, PUR halogen-free, black-gray RAL 7021, free cable end, on Socket straight M12, coding: T, cable length: 10 m, For direct current up to 12 A/63 V

I/O component - AXL E PN DI8 DO8 M12 6M - 2701515

<https://www.phoenixcontact.com/il/products/2701515>

Power cable

Power cable - SAC-4P- 1,0-PUR/M12FRT - 1408827



Power cable, 4-position, PUR halogen-free, black-gray RAL 7021, free cable end, on Socket angled M12, coding: T, cable length: 1 m, For direct current up to 12 A/63 V

Power cable

Power cable - SAC-4P- 2,0-PUR/M12FRT - 1408828



Power cable, 4-position, PUR halogen-free, black-gray RAL 7021, free cable end, on Socket angled M12, coding: T, cable length: 2 m, For direct current up to 12 A/63 V

I/O component - AXL E PN DI8 DO8 M12 6M - 2701515

<https://www.phoenixcontact.com/il/products/2701515>

Power cable

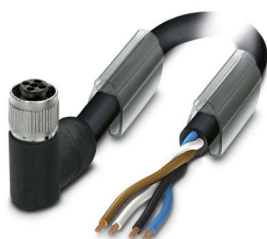
Power cable - SAC-4P- 5,0-PUR/M12FRT - 1408829



Power cable, 4-position, PUR halogen-free, black-gray RAL 7021, free cable end, on Socket angled M12, coding: T, cable length: 5 m, For direct current up to 12 A/63 V

Power cable

Power cable - SAC-4P-10,0-PUR/M12FRT - 1408830



Power cable, 4-position, PUR halogen-free, black-gray RAL 7021, free cable end, on Socket angled M12, coding: T, cable length: 10 m, For direct current up to 12 A/63 V

I/O component - AXL E PN DI8 DO8 M12 6M - 2701515

<https://www.phoenixcontact.com/il/products/2701515>

Power cable

Power cable - SAC-4P-M12MST/ 0,3-PUR/M12FST - 1408806



Power cable, 4-position, PUR halogen-free, black-gray RAL 7021, Plug straight M12, coding: T, on Socket straight M12, coding: T, cable length: 0.3 m, For direct current up to 12 A/63 V

Power cable

Power cable - SAC-4P-M12MST/ 0,6-PUR/M12FST - 1408807



Power cable, 4-position, PUR halogen-free, black-gray RAL 7021, Plug straight M12, coding: T, on Socket straight M12, coding: T, cable length: 0.6 m, For direct current up to 12 A/63 V

I/O component - AXL E PN DI8 DO8 M12 6M - 2701515

<https://www.phoenixcontact.com/il/products/2701515>

Power cable

Power cable - SAC-4P-M12MST/ 1,0-PUR/M12FST - 1408808



Power cable, 4-position, PUR halogen-free, black-gray RAL 7021, Plug straight M12, coding: T, on Socket straight M12, coding: T, cable length: 1 m, For direct current up to 12 A/63 V

Power cable

Power cable - SAC-4P-M12MST/ 2,0-PUR/M12FST - 1408809



Power cable, 4-position, PUR halogen-free, black-gray RAL 7021, Plug straight M12, coding: T, on Socket straight M12, coding: T, cable length: 2 m, For direct current up to 12 A/63 V

I/O component - AXL E PN DI8 DO8 M12 6M - 2701515

<https://www.phoenixcontact.com/il/products/2701515>

Power cable

Power cable - SAC-4P-M12MST/ 5,0-PUR/M12FST - 1408810



Power cable, 4-position, PUR halogen-free, black-gray RAL 7021, Plug straight M12, coding: T, on Socket straight M12, coding: T, cable length: 5 m, For direct current up to 12 A/63 V

Power cable

Power cable - SAC-4P-M12MST/10,0-PUR/M12FST - 1408811



Power cable, 4-position, PUR halogen-free, black-gray RAL 7021, Plug straight M12, coding: T, on Socket straight M12, coding: T, cable length: 10 m, For direct current up to 12 A/63 V

I/O component - AXL E PN DI8 DO8 M12 6M - 2701515

<https://www.phoenixcontact.com/il/products/2701515>

Assembly element

Assembly element - AXL E MP 60 - 2701761



Mounting plate for Axioline E metal devices

Plug for cable screw gland

Plug for cable screw gland - PROT-M12 - 1680539



An M12 screw plug for the unoccupied M12 sockets of the sensor/actuator cable, boxes and flush-type connectors

Phoenix Contact 2021 © - all rights reserved
<https://www.phoenixcontact.com>

PHOENIX CONTACT Israel Ltd.
P.O.B. 1799 Industrial Park Hasharon
Quadima 60920
+972-9-8915700
info@phoenixcontact.co.il



SCATTERGOOD & JOHNSON LTD

ELECTRICAL ENGINEERING & FLUID CONTROL DISTRIBUTORS

Est.1899

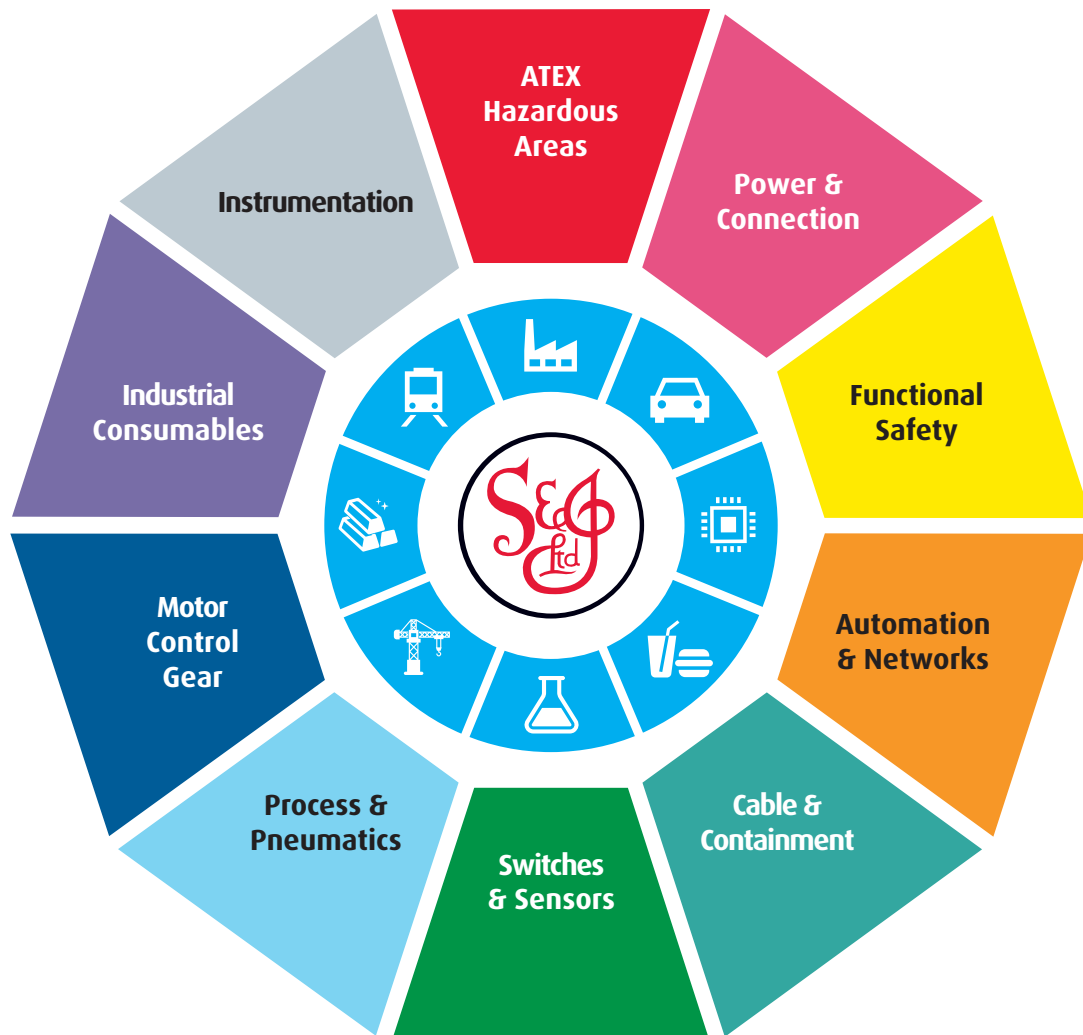
At Scattergood & Johnson Ltd, we pride ourselves on being a technical distributor to specialist industries.

Working with a range of quality product suppliers across a number of specialist markets, we are not your average 'box shifter' - we are your technical and supply chain partner.

We fully support every product we sell - for free! Our internal team and external sales engineers can answer any product or application question, no matter the complexity.

Backing up this technical ability is a range of 50,000+ products available from stock for nationwide next day delivery (same day if required!), or you can collect what you need from any of our trade counters around the UK.

Select your specialist interest below to learn more about how we can help.



Online, In Branch and On the Road - Scattergood & Johnson Ltd, there when you need us.

www.scatts.co.uk