

# Patch panel - PP-RJ-IDC - 2703019



<https://www.phoenixcontact.com/il/products/2703019>

Please be informed that the data shown in this PDF document is generated from our Online Catalog. Please find the complete data in the user documentation. Our General Terms of Use for Downloads are valid.



Patch panel, RJ45 jack on IDC terminal blocks, 10/100/1000 Mbps, DIN rail adapter, IP20, shield contacting with strain relief

## Product Description

Ethernet patch panels enable quick and easy connection between the field cabling and control cabinet cabling. The passive termination panels are a convenient alternative to the on-site assembly of RJ45 connectors. The IDC fast connection terminal blocks enable tool-free connection without stripping the single-core wires. The terminal blocks with inserted wires are simply pressed shut by hand. Observe the permissible single-core wire diameter and the permissible insulation material.

## Your advantages

- Extended temperature range of -40°C to +75°C
- Fast connection of the field cable
- Wiring space covered with front panel cover
- Tool-free shield contacting with strain relief
- Shipbuilding approval in accordance with DNV GL
- PoE-capable in accordance with IEEE 802.3bt, type 4

# Patch panel - PP-RJ-IDC - 2703019



<https://www.phoenixcontact.com/il/products/2703019>

## Commercial Data

Order Key	2703019
Packing unit	1 pc
Minimum order quantity	1 pc
Note	Made to Order (non-returnable)
Catalog Page	Page 361 (C-6-2019)
GTIN	4055626462899
Weight per Piece (including packing)	101.6 GRM
Weight per Piece (excluding packing)	101.6 GRM
Customs tariff number	85369010
Country of origin	DE

## Patch panel - PP-RJ-IDC - 2703019



<https://www.phoenixcontact.com/il/products/2703019>

## Technical Data

### Cable / line

#### Cable structure

External cable diameter	5.5 mm ... 6.5 mm
-------------------------	-------------------

### Environmental and real-life conditions

#### Ambient conditions

Ambient temperature (operation)	-40 °C ... 75 °C
Ambient temperature (storage/transport)	-40 °C ... 85 °C
Degree of protection	IP20 (Manufacturer's declaration)
Permissible humidity (operation)	10 % ... 95 % (non-condensing)
Altitude	≤ 5000 m (For restrictions, see the manufacturer's declaration for altitude operation)
	≤ 2000 m (Restrictions for ATEX applications)

### Notes

#### Utilization restriction

CCCEX note	Use in potentially explosive areas is not permitted in China.
------------	---

#### Environmental Product Compliance

China RoHS	Environmentally friendly use period: unlimited = EFUP-e
	No hazardous substances above threshold values

### Electrical properties

Rated insulation voltage	85 V DC
--------------------------	---------

### Dimensions

Dimensional drawing	
Height	101.3 mm
Width	23.8 mm
Depth	50 mm

### Material specifications

Color	gray
Housing material	Plastic
Flammability rating according to UL 94	V0

## Patch panel - PP-RJ-IDC - 2703019



<https://www.phoenixcontact.com/il/products/2703019>

## Interfaces

Data: Ethernet interface, 10/100/1000Base-T(X) in accordance with IEEE 802.3

Conductor cross section AWG min.	26
Frequency range	250 MHz
Wire diameter incl. insulation	1.6 mm (Terminal block is tested with PVC insulation - other insulation materials available on request)
Serial transmission speed	10/100/1000 Mbps
Maximum output current	725 mA (Per channel)
Connection method	IDC connection RJ45 jack
Conductor cross section flexible min.	0.14 mm <sup>2</sup>
Conductor cross section solid min.	0.14 mm <sup>2</sup>
Output nominal voltage	< 60 V (ATEX approval) < 57 V DC (in acc. with UL)
Frequency of connections between conductors of the same cross section	10
Conductor cross section AWG max.	22
Transmission length	100 m (including patch cables)
Maximum output power	60 W
Conductor cross section solid max.	0.34 mm <sup>2</sup>
Conductor cross section flexible max.	0.34 mm <sup>2</sup>
Pin assignment	1:1

## Mounting

Mounting type	DIN rail mounting, stationary
---------------	-------------------------------

## Approval data

## Corrosive gas test

Identification	ISA-S71.04-1985 G3 Harsh Group A
----------------	----------------------------------

## CE

Identification	CE-compliant
----------------	--------------

## UL, Canada

Certificate	CSA 22.2 No. 60079-0 Ed. 3 / CSA 22.2 No. 60079-15:16
-------------	---

## UL, USA

Certificate	UL 60079-0 Ed. 6 / UL 60079-15 Ed. 4
-------------	--------------------------------------

## ATEX

Note	Please follow the special installation instructions in the documentation!
Identification	<input type="checkbox"/> II 3 G Ex nA IIC Gc U

## Shipbuilding

Identification	DNV GL
----------------	--------

# Patch panel - PP-RJ-IDC - 2703019



<https://www.phoenixcontact.com/il/products/2703019>

## DNV GL data

Temperature	D
Vibration	B
Humidity	B
EMC	B

## Product properties

MTTF	105699 Years
------	--------------

## Insulation characteristics

Overvoltage category	II
Degree of pollution	2

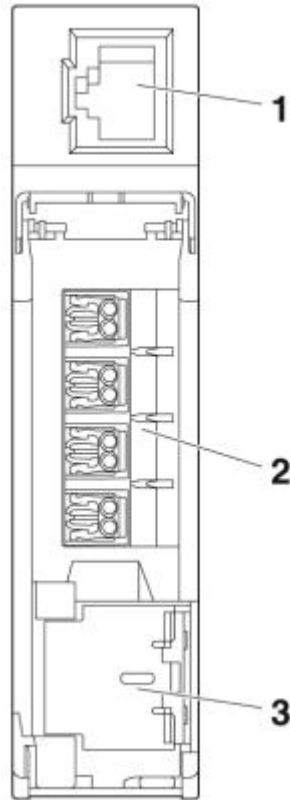
# Patch panel - PP-RJ-IDC - 2703019

<https://www.phoenixcontact.com/il/products/2703019>



## Drawings

Schematic diagram

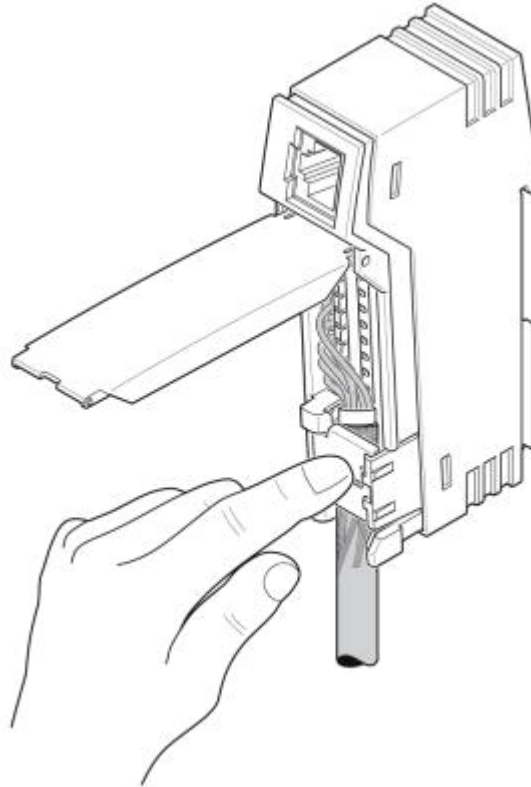


# Patch panel - PP-RJ-IDC - 2703019

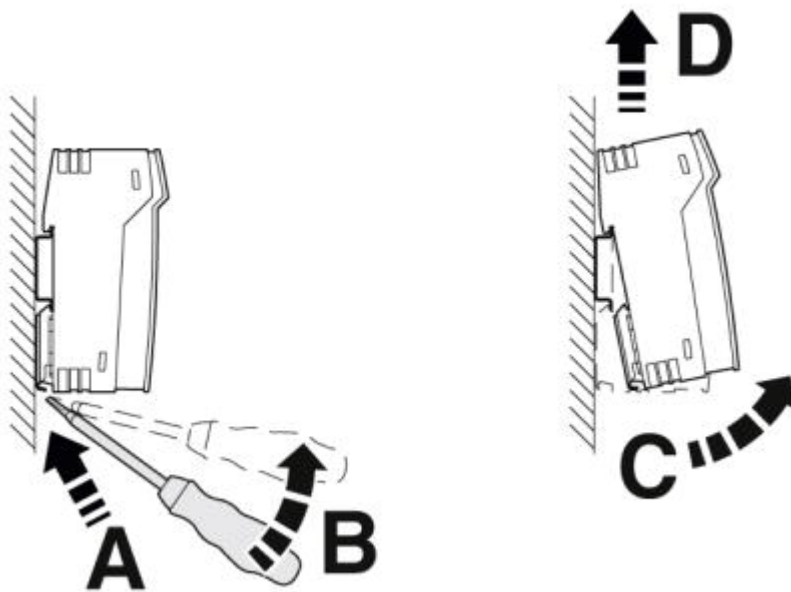
<https://www.phoenixcontact.com/il/products/2703019>



Schematic diagram



Schematic diagram

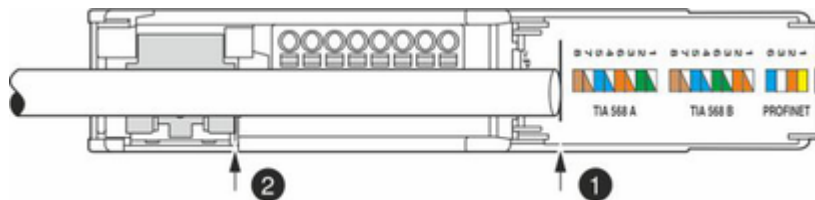


# Patch panel - PP-RJ-IDC - 2703019

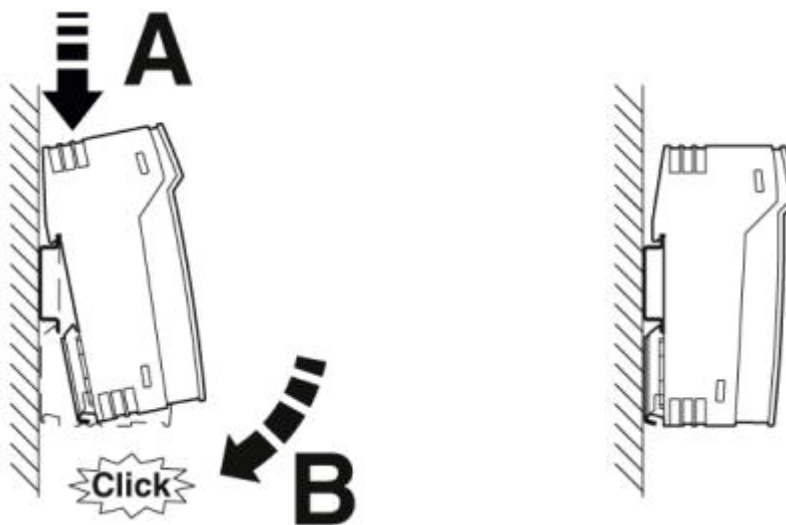


<https://www.phoenixcontact.com/il/products/2703019>

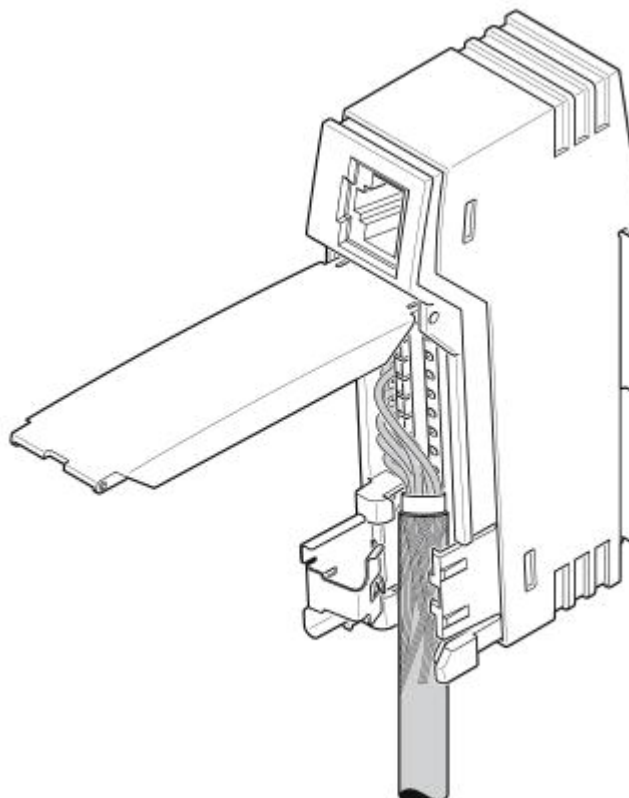
Schematic diagram



Schematic diagram



Schematic diagram

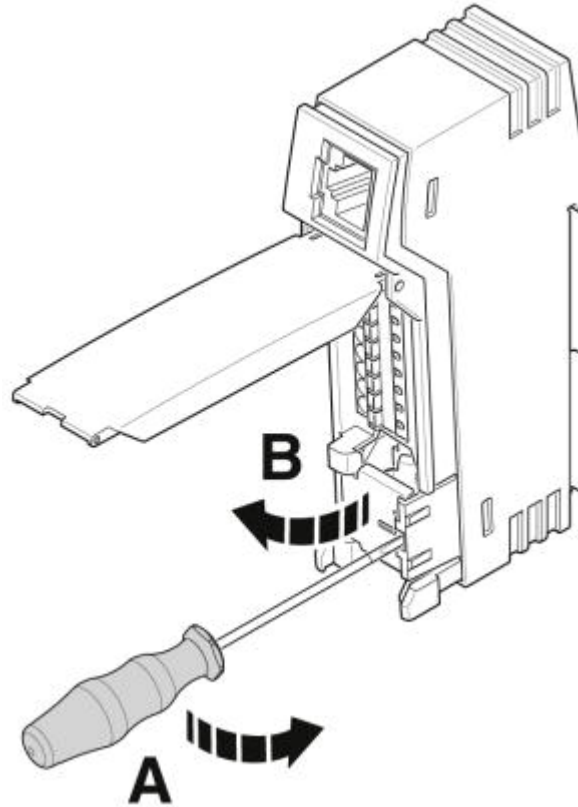


# Patch panel - PP-RJ-IDC - 2703019

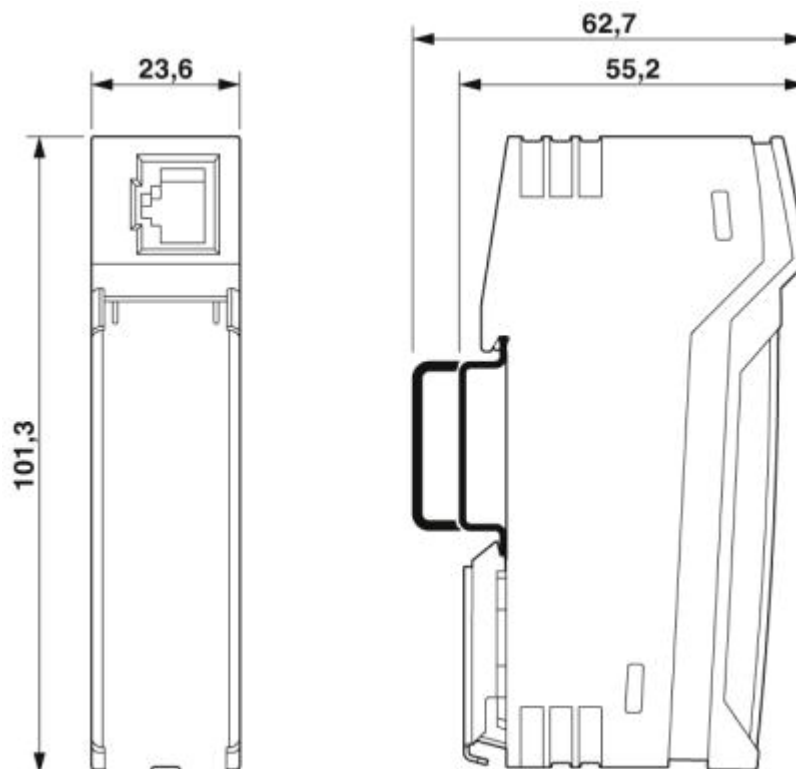


<https://www.phoenixcontact.com/il/products/2703019>

Schematic diagram



Dimensional drawing



# Patch panel - PP-RJ-IDC - 2703019



<https://www.phoenixcontact.com/il/products/2703019>

## Approvals

UL Listed 

cUL Listed 

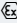
DNV GL 

cULus Listed

cULus Listed

UL Listed 

cUL Listed 

ATEX 

# Patch panel - PP-RJ-IDC - 2703019

<https://www.phoenixcontact.com/il/products/2703019>



## Environmental Product Compliance

China RoHS	Environmentally friendly use period: unlimited = EFUP-e
	No hazardous substances above threshold values

# Patch panel - PP-RJ-IDC - 2703019

<https://www.phoenixcontact.com/il/products/2703019>



## Accessories

### Data cable by the meter

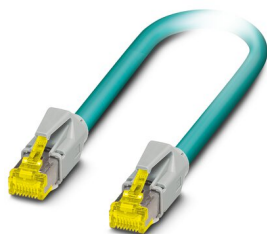
Data cable by the meter - VS-OE-OE-94F/... - 1417359



Network cable, Ethernet CAT6<sub>A</sub> (10 Gbps), 8-position, PUR halogen-free, water blue RAL 5021, shielded, free cable end, on free cable end, cable length: Free entry (0.5 ... 400 m)

### Data cable preassembled

Data cable preassembled - NBC-R4AC-R4AC-IE8A/.../... - 1411854



Patch cable, degree of protection: IP20, number of positions: 8, 10 Gbps, CAT6<sub>A</sub>, cable outlet: straight, Ethernet

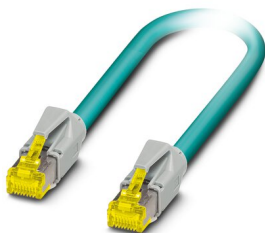
## Patch panel - PP-RJ-IDC - 2703019

<https://www.phoenixcontact.com/il/products/2703019>



### Data cable preassembled

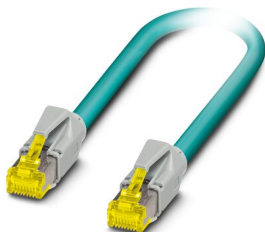
Data cable preassembled - NBC-R4AC/10G-R4AC/10G-94F/2,0 - 1408360



Patch cable, CAT6<sub>A</sub>, 4-pair, shielded, connection not crossed (line), assembled at both ends with RJ45/IP20 connectors, outer sheath material: PUR, length: 2.0 m

### Data cable preassembled

Data cable preassembled - NBC-R4AC/10G-R4AC/10G-94F/3,0 - 1408365



Patch cable, CAT6<sub>A</sub>, 4-pair, shielded, connection not crossed (line), assembled at both ends with RJ45/IP20 connectors, outer sheath material: PUR, length: 3.0 m

### Data cable preassembled

Data cable preassembled - NBC-R4AC/1,0-93B/R4AC - 1408968



Patch cable, degree of protection: IP20, cable length: 1 m, number of positions: 4, 100 Mbps, CAT5, material: PA 6.6, PROFINET

## Patch panel - PP-RJ-IDC - 2703019

<https://www.phoenixcontact.com/il/products/2703019>



### Data cable preassembled

Data cable preassembled - NBC-R4AC/2,0-93B/R4AC - 1408969



Patch cable, degree of protection: IP20, cable length: 2 m, number of positions: 4, 100 Mbps, CAT5, material: PA 6.6, PROFINET

### Patch panel

Patch panel - PP-RJ-RJ-F - 2703020



Patch panel, two RJ45 jacks, 10/100/1000 MBps, DIN rail adapter, IP20, shield current monitoring, surge protection

### Patch panel

Patch panel - PP-RJ-SC-F - 2703021



Patch panel, RJ45 jack on screw terminal blocks, 10/100/1000 Mbps, DIN rail adapter, IP20, shield contacting with strain relief, shield current monitoring, surge protection

## Patch panel - PP-RJ-IDC - 2703019

<https://www.phoenixcontact.com/il/products/2703019>

### Patch panel

Patch panel - PP-RJ-SCC-F - 2703022



Patch panel, RJ45 jack on Push-in terminal blocks, 10/100/1000 Mbps, DIN rail adapter, IP20, shield contacting with strain relief, shield current monitoring, surge protection

### Patch panel

Patch panel - PP-RJ-IDC-F - 2703023



Patch panel, RJ45 jack on IDC terminal blocks, 10/100/1000 Mbps, DIN rail adapter, IP20, shield contacting with strain relief, shield current monitoring, surge protection

### Patch panel

Patch panel - FL-PP-RJ45-SC - 2901643



Patch panel, one RJ45 jack to 8 screw connection terminal blocks (1:1 assignment), CAT5e, 10/100/1000 Mbps, DIN rail adapter, IP20, option of shield contacting to the DIN rail via jumpers

## Patch panel - PP-RJ-IDC - 2703019

<https://www.phoenixcontact.com/il/products/2703019>



### Patch panel

Patch panel - FL-PP-RJ45-LSA - 2901645



Patch panel, one RJ45 jack to 8 LSA connection terminal blocks (1:1 assignment), CAT5e, 10/100/1000 Mbps, DIN rail adapter, IP20, option of shield contacting to the DIN rail via bridges

### Patch panel

Patch panel - FL-PP-RJ45/RJ45 - 2901646



Patch panel, two RJ45 jacks (1:1 assignment), CAT5e, 10/100/1000 Mbps, DIN rail adapter, IP20, option of shield contacting to the DIN rail via jumpers

### Patch cable

Patch cable - FL CAT5 PATCH 0,3 - 2832250



Patch cable, CAT5, assembled, 0.3 m

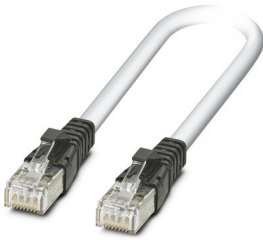
# Patch panel - PP-RJ-IDC - 2703019



<https://www.phoenixcontact.com/il/products/2703019>

## Patch cable

Patch cable - FL CAT5 PATCH 0,5 - 2832263

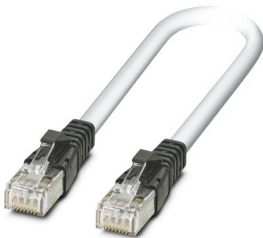


Patch cable, CAT5, assembled, 0.5 m

---

## Patch cable

Patch cable - FL CAT5 PATCH 1,0 - 2832276



Patch cable, CAT5, assembled, 1 m

---

## Patch cable

Patch cable - FL CAT5 PATCH 1,5 - 2832221



Patch cable, CAT5, assembled, 1.5 m

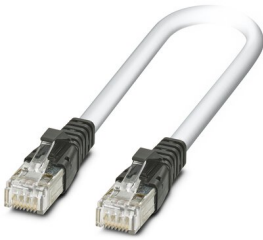
## Patch panel - PP-RJ-IDC - 2703019

<https://www.phoenixcontact.com/il/products/2703019>



### Patch cable

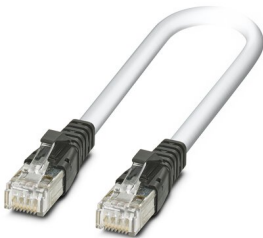
Patch cable - FL CAT5 PATCH 2,0 - 2832289



Patch cable, CAT5, assembled, 2 m

### Patch cable

Patch cable - FL CAT5 PATCH 3,0 - 2832292



Patch cable, CAT5, assembled, 3 m

### Network isolator

Network isolator - FL ISOLATOR 100-RJ/SC - 2313928



Passive network isolator for electrical isolation in Ethernet networks. This protects Ethernet devices from potential differences of up to 4 kV. Can be used for transmission speeds of up to 100 Mbps. Connection using RJ45 and COMBICON plug-in screw terminal block.

## Patch panel - PP-RJ-IDC - 2703019

<https://www.phoenixcontact.com/il/products/2703019>



### Network isolator

Network isolator - FL ISOLATOR 100-RJ/RJ - 2313931



Passive network isolator for electrical isolation in Ethernet networks. This protects Ethernet devices from potential differences of up to 4 kV. Can be used for transmission speeds of up to 100 Mbps. Possible to connect two RJ45 plugs.

### Network isolator

Network isolator - FL ISOLATOR 1000-RJ/RJ - 2313915



Passive network isolator for electrical isolation in Ethernet networks. This protects Ethernet devices from potential differences of up to 4 kV. Can be used for transmission speeds of up to 1 Gbps. Possible to connect two RJ45 plugs.

### Network isolator

Network isolator - FL ISOLATOR 100-M12 - 2902985



Passive network isolator for electrical isolation in Ethernet networks. For the protection of Ethernet devices against potential differences of up to 4 kV. Can be used for transmission speeds of up to 100 Mbps. Ethernet connection via two M12 sockets (D-coded).

# Patch panel - PP-RJ-IDC - 2703019

<https://www.phoenixcontact.com/il/products/2703019>



## Screwdriver tools

Screwdriver tools - SZF 0-0,4X2,5 - 1204504



Actuation tool, for ST terminal blocks, also suitable for use as a bladed screwdriver, size: 0.4 x 2.5 x 75 mm, 2-component grip, with non-slip grip

## Data plug

Data plug - FL CRIMPTOOL - 2744869



Crimping pliers, for assembling the RJ45 plugs FL PLUG RJ45..., for assembly on site

## Data plug

Data plug - VS-08-RJ45-10G/Q - 1419001



RJ45 connector, IP20, CAT6<sub>A</sub>, 8-pos., with QUICKON fast connection technology, for 26 ... 24 AWG 1-wire and 7-wire conductors, color: black

# Patch panel - PP-RJ-IDC - 2703019

<https://www.phoenixcontact.com/il/products/2703019>



## Data plug

Data plug - VS-PN-RJ45-5-Q/IP20 - 1658435



RJ45 connector, degree of protection: IP20, number of positions: 4, 100 Mbps, CAT5 (IEC 11801:2002), material: PA, connection method: IDC fast connection, cable outlet: straight, color: traffic grey A RAL 7042, PROFINET

## Data plug

Data plug - VS-08-RJ45-5-Q/IP20 - 1656725



RJ45 connector, degree of protection: IP20, number of positions: 8, 1 Gbps, CAT5 (IEC 11801:2002), material: PA, connection method: IDC fast connection, connection cross section: AWG 26- 23, cable outlet: straight, color: traffic grey A RAL 7042, Ethernet

## Data plug

Data plug - VS-08-RJ45-5-Q/IP20 BK - 1658008



RJ45 connector, degree of protection: IP20, number of positions: 8, 1 Gbps, CAT5 (IEC 11801:2002), material: PA, connection method: IDC fast connection, connection cross section: AWG 26- 23, cable outlet: straight, color: black, Ethernet

## Patch panel - PP-RJ-IDC - 2703019

<https://www.phoenixcontact.com/il/products/2703019>



### Electronics pliers

Electronics pliers - MICROFOX-SP - 1212488



**Electronic diagonal cutter**, tapered head, angled (21°), without chamfer, with opening spring

---

Phoenix Contact 2021 © - all rights reserved  
<https://www.phoenixcontact.com>

PHOENIX CONTACT Israel Ltd.  
P.O.B. 1799 Industrial Park Hasharon  
Quadima 60920  
+972-9-8915700  
[info@phoenixcontact.co.il](mailto:info@phoenixcontact.co.il)



# SCATTERGOOD & JOHNSON LTD

ELECTRICAL ENGINEERING & FLUID CONTROL DISTRIBUTORS

Est.1899

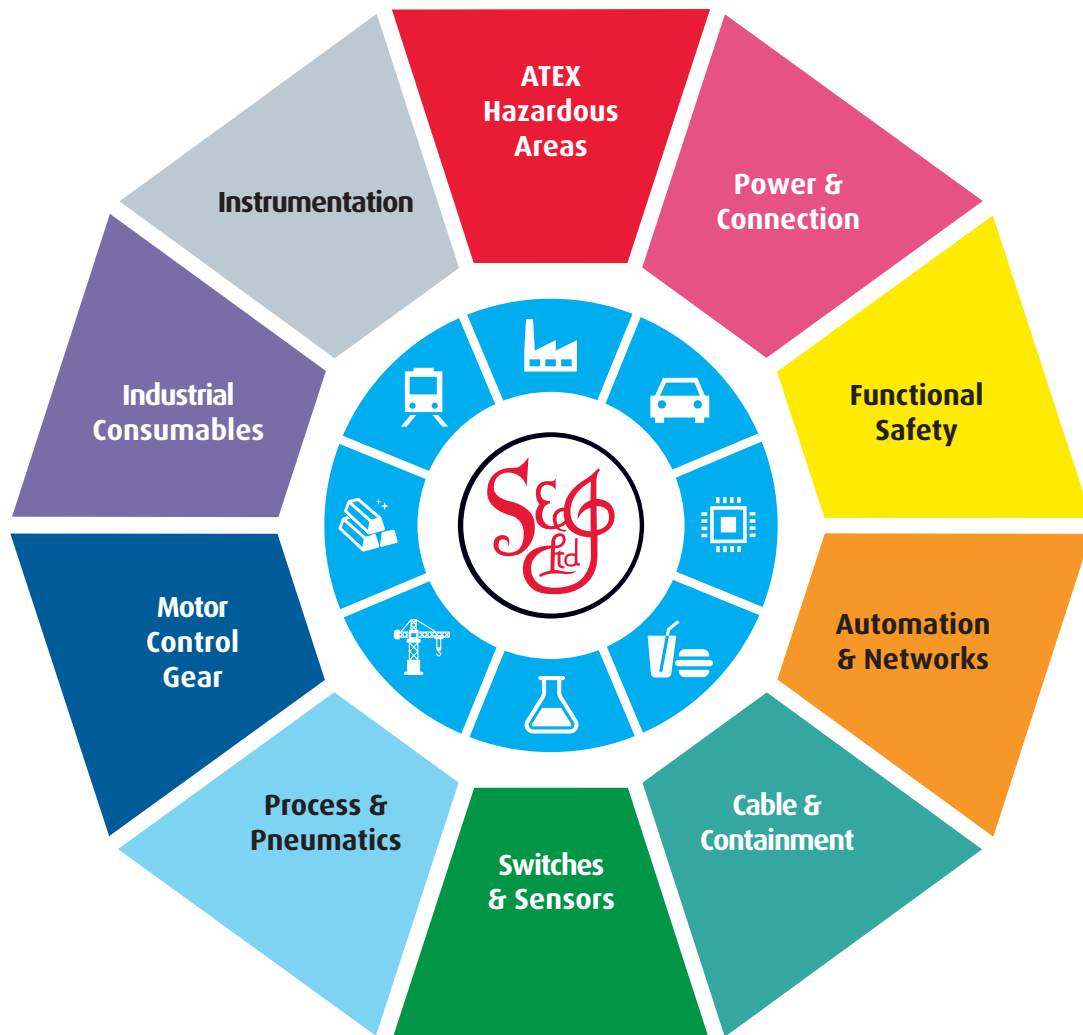
At Scattergood & Johnson Ltd, we pride ourselves on being a technical distributor to specialist industries.

Working with a range of quality product suppliers across a number of specialist markets, we are not your average 'box shifter' - we are your technical and supply chain partner.

We fully support every product we sell - for free! Our internal team and external sales engineers can answer any product or application question, no matter the complexity.

Backing up this technical ability is a range of 50,000+ products available from stock for nationwide next day delivery (same day if required!), or you can collect what you need from any of our trade counters around the UK.

Select your specialist interest below to learn more about how we can help.



Online, In Branch and On the Road - Scattergood & Johnson Ltd, there when you need us.

# [www.scatts.co.uk](http://www.scatts.co.uk)