

Patch panel - PP-RJ-SCC-F - 2703022



<https://www.phoenixcontact.com/il/products/2703022>

Please be informed that the data shown in this PDF document is generated from our Online Catalog. Please find the complete data in the user documentation. Our General Terms of Use for Downloads are valid.



Patch panel, RJ45 jack on Push-in terminal blocks, 10/100/1000 Mbps, DIN rail adapter, IP20, shield contacting with strain relief, shield current monitoring, surge protection

Product Description

Ethernet patch panels enable quick and easy connection between the field cabling and control cabinet cabling. The passive termination panels are a convenient alternative to the on-site assembly of RJ45 connectors.

Your advantages

- 10/100/1000 Mbps
- Extended temperature range of -40°C to +75°C
- Fast connection of the field cable
- Wiring space covered with front panel cover
- Tool-free shield contacting with strain relief
- Integrated surge protection to ensure high system availability
- Shield current monitoring with visual display
- Shipbuilding approval in accordance with DNV GL
- PoE-capable in accordance with IEEE 802.3bt, type 4

Patch panel - PP-RJ-SCC-F - 2703022



<https://www.phoenixcontact.com/il/products/2703022>

Commercial Data

Order Key	2703022
Packing unit	1 pc
Minimum order quantity	1 pc
Note	Made to Order (non-returnable)
Catalog Page	Page 361 (C-6-2019)
GTIN	4055626463346
Weight per Piece (including packing)	156.3 GRM
Weight per Piece (excluding packing)	124.2 GRM
Customs tariff number	85369010
Country of origin	DE

Patch panel - PP-RJ-SCC-F - 2703022



<https://www.phoenixcontact.com/il/products/2703022>

Technical Data

Cable / line

Cable structure

External cable diameter	5.5 mm ... 6.5 mm
-------------------------	-------------------

Environmental and real-life conditions

Ambient conditions

Ambient temperature (operation)	-40 °C ... 75 °C
Ambient temperature (storage/transport)	-40 °C ... 85 °C
Degree of protection	IP20 (Manufacturer's declaration)
Permissible humidity (operation)	10 % ... 95 % (non-condensing)
Altitude	≤ 5000 m (For restrictions, see the manufacturer's declaration for altitude operation)
	≤ 2000 m (Restrictions for ATEX applications)

Notes

Utilization restriction

EMC note	EMC: class A product, see manufacturer's declaration in the download area
CCCex note	Use in potentially explosive areas is not permitted in China.

Environmental Product Compliance

REACH SVHC	Lead 7439-92-1
China RoHS	Environmentally Friendly Use Period = 50 years
	For details about hazardous substances go to tab "Downloads", Category "Manufacturer's declaration"

Electrical properties

Rated insulation voltage	85 V DC
Electrical isolation	FE // Ethernet

Function

Designation	Shield current monitoring
Power consumption	270 mW (Shield current monitoring)
Response time	3 s
Precision	± 5 %
Voltage	≤ 10 V
Switch-on threshold	≥ 30 mA
Impedance	≤ 1 Ω
Current	≤ 1.5 A
Local diagnostics	Yellow LED

Supply

Supply voltage range	36 V DC ... 52 V DC □ 10 % (via PoE)
----------------------	--------------------------------------

Patch panel - PP-RJ-SCC-F - 2703022


<https://www.phoenixcontact.com/il/products/2703022>

42 V DC ... 57 V DC (in acc. with UL)

Dimensions

Dimensional drawing	
Height	101.3 mm
Width	23.8 mm
Depth	86 mm

LED signaling

Optical representation	Yellow LED
------------------------	------------

Material specifications

Color	gray
Housing material	Plastic
Flammability rating according to UL 94	V0

Interfaces

Data: Ethernet interface, 10/100/1000Base-T(X) in accordance with IEEE 802.3

Conductor cross section AWG min.	26
Frequency range	125 MHz
Conductor cross section flexible, with ferrule without plastic sleeve	0.25 mm ² ... 1.5 mm ² (only together with CRIMPFOX 6)
Serial transmission speed	10/100/1000 Mbps
Stripping length	8 mm
Maximum output current	725 mA (PoE)
Connection method	Push-in connection RJ45 jack
Conductor cross section, flexible, with ferrule, with plastic sleeve	0.25 mm ² ... 1.5 mm ² (only together with CRIMPFOX 6)
Conductor cross section flexible min.	0.2 mm ²
Conductor cross section solid min.	0.2 mm ²
Conductor cross section AWG max.	16
Transmission length	100 m (including patch cables)
Maximum output power	60 W
Current carrying capacity	≤ 1.5 A (≤ 60 W (PoE+))
Conductor cross section solid max.	1.5 mm ²
Conductor cross section flexible max.	1.5 mm ²
Pin assignment	1:1

Mounting

Mounting type	DIN rail mounting, stationary
---------------	-------------------------------

Patch panel - PP-RJ-SCC-F - 2703022



<https://www.phoenixcontact.com/il/products/2703022>

Approval data

Corrosive gas test

Identification	ISA-S71.04-1985 G3 Harsh Group A
----------------	----------------------------------

CE

Identification	CE-compliant
----------------	--------------

UL, Canada

Certificate	CSA 22.2 No. 60079-0 Ed. 3 / CSA 22.2 No. 60079-15:16
-------------	---

UL, USA

Certificate	UL 60079-0 Ed. 6 / UL 60079-15 Ed. 4
-------------	--------------------------------------

ATEX

Note	Please follow the special installation instructions in the documentation!
Identification	<input type="checkbox"/> II 3 G Ex nA nC IIC T4 Gc X

Shipbuilding

Identification	DNV GL
----------------	--------

DNV GL data

Temperature	D
Vibration	B
Humidity	B
EMC	B

UL, USA/Canada

Identification	Class I, Zone 2, AEx nA IIC T4, Ex nA IIC Gc X T4
	Class I, Div. 2, Groups A, B, C, D

EMC data

Electromagnetic compatibility	Conformance with EMC Directive 2014/30/EU
	FCC Part 15B Class A
	CISPR 22

Surge current load (surge)

Signal	± 1 kV (Data line, asymmetrical)
Input	± 0.5 kV
Standards/regulations	EN 61000-4-5

Fast transients (burst)

Signal	± 2.2 kV (1 minute)
Input	± 2.2 kV (1 minute)
Comments	Criterion B
Standards/regulations	EN 61000-4-4

Conducted interference

Patch panel - PP-RJ-SCC-F - 2703022



<https://www.phoenixcontact.com/il/products/2703022>

Frequency range	0.15 MHz ... 80 MHz
Comments	Criterion A
Voltage	10 V
Standards/regulations	EN 61000-4-6

Electromagnetic HF field

Frequency range	80 MHz ... 3 GHz (Test Level 3)
Comments	Criterion A
Standards/regulations	EN 61000-4-3
Field intensity	10 V/m

Electrostatic discharge

Indirect discharge	± 6 kV
Comments	Criterion B
Standards/regulations	EN 61000-4-2
Discharge in air	± 8 kV (Test Level 3)
Contact discharge	± 6 kV (Test Level 3)

Emitted interference

Comments	Class A, industrial applications
	Class B, domain of use: residential and small commercial
Standards/regulations	EN 61000-6-4
	EN 61000-6-3

Standards and regulations

Standards/regulations	DIN EN 61643-21
-----------------------	-----------------

Product properties

MTTF	3281 Years (SN 29500 standard, temperature 25°C, operating cycle 21%)
	1245 Years (SN 29500 standard, temperature 40°C, operating cycle 34.25%)
	472 Years (SN 29500 standard, temperature 40°C, operating cycle 100%)
IEC test classification	C2

Insulation characteristics

Overvoltage category	II
Degree of pollution	2

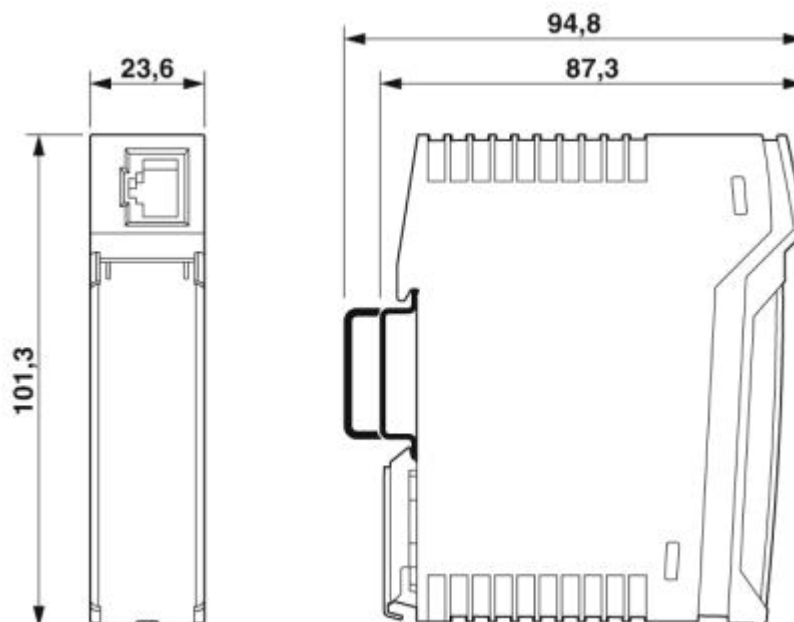
Patch panel - PP-RJ-SCC-F - 2703022

<https://www.phoenixcontact.com/il/products/2703022>

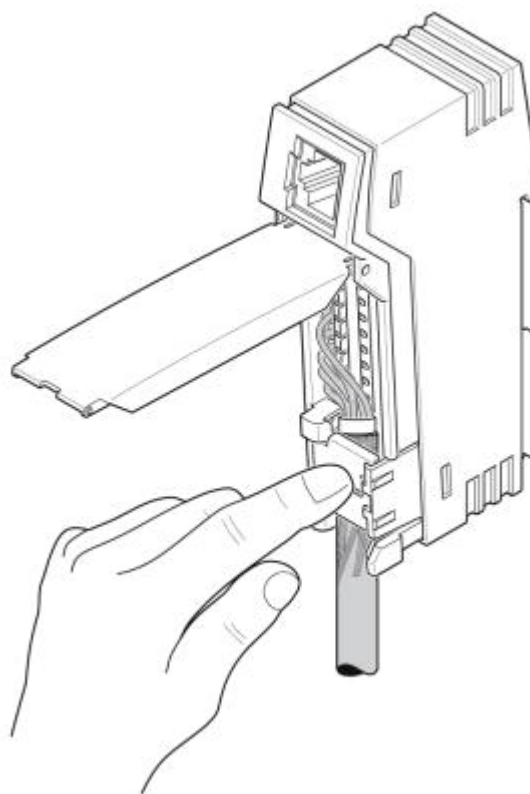


Drawings

Dimensional drawing



Schematic diagram

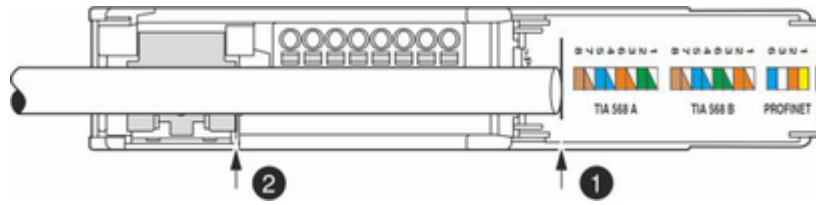


Patch panel - PP-RJ-SCC-F - 2703022

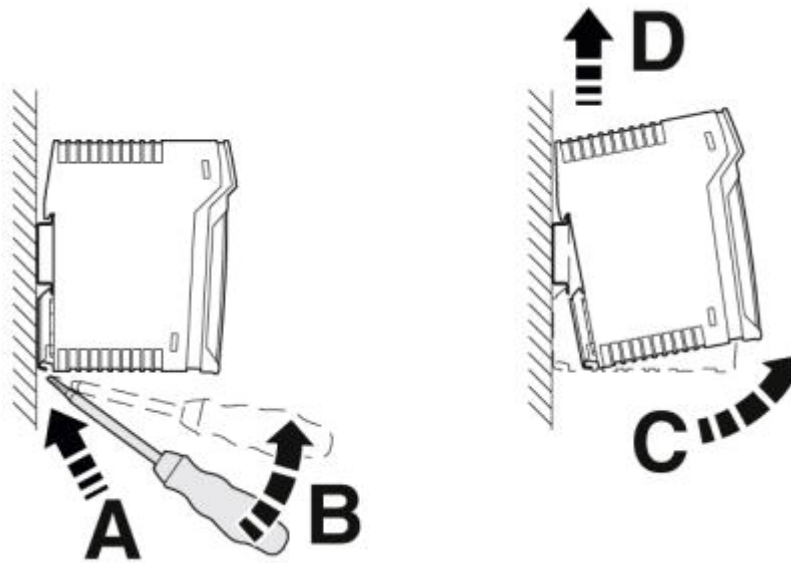


<https://www.phoenixcontact.com/il/products/2703022>

Schematic diagram



Schematic diagram

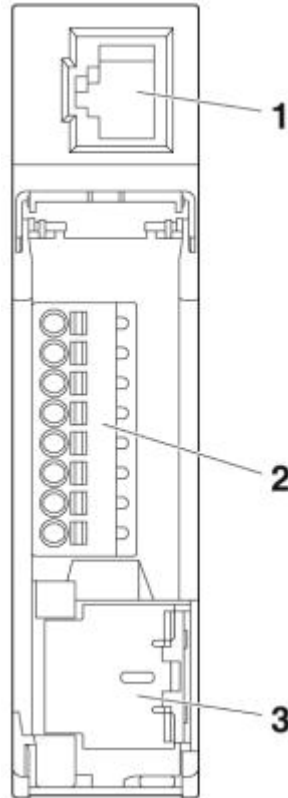


Patch panel - PP-RJ-SCC-F - 2703022

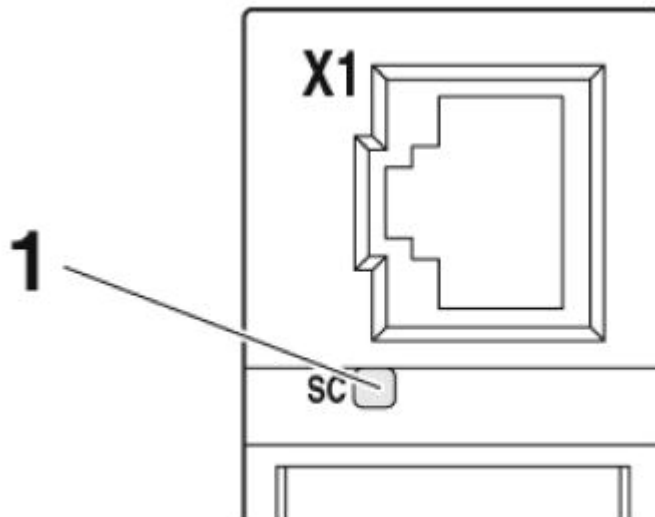
<https://www.phoenixcontact.com/il/products/2703022>



Schematic diagram



Schematic diagram

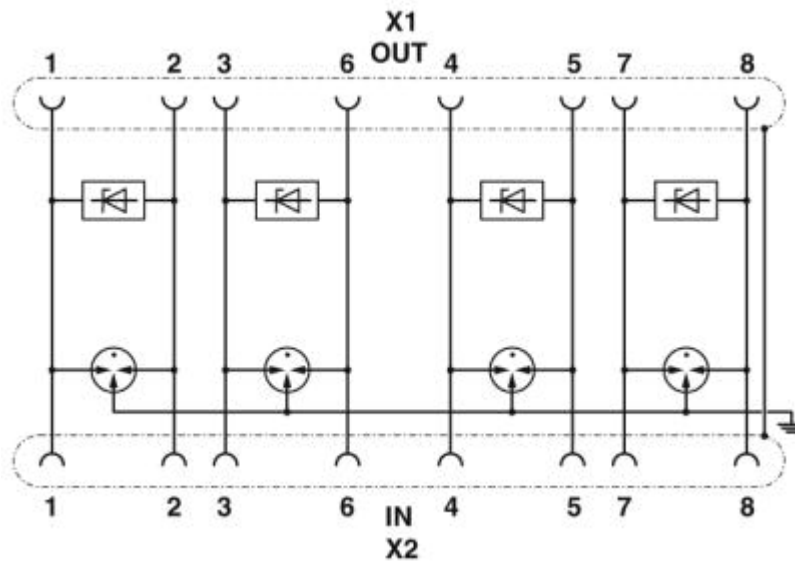


Patch panel - PP-RJ-SCC-F - 2703022

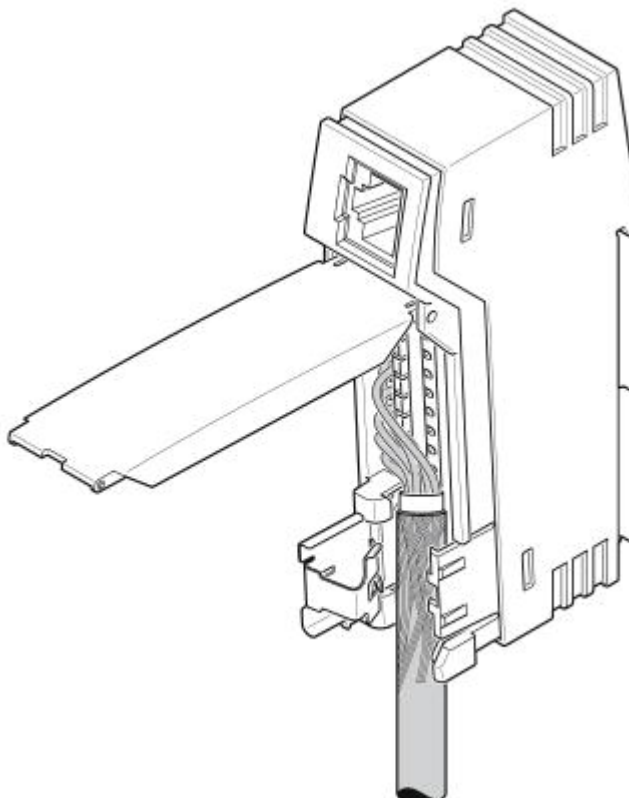


<https://www.phoenixcontact.com/il/products/2703022>

Circuit diagram



Schematic diagram

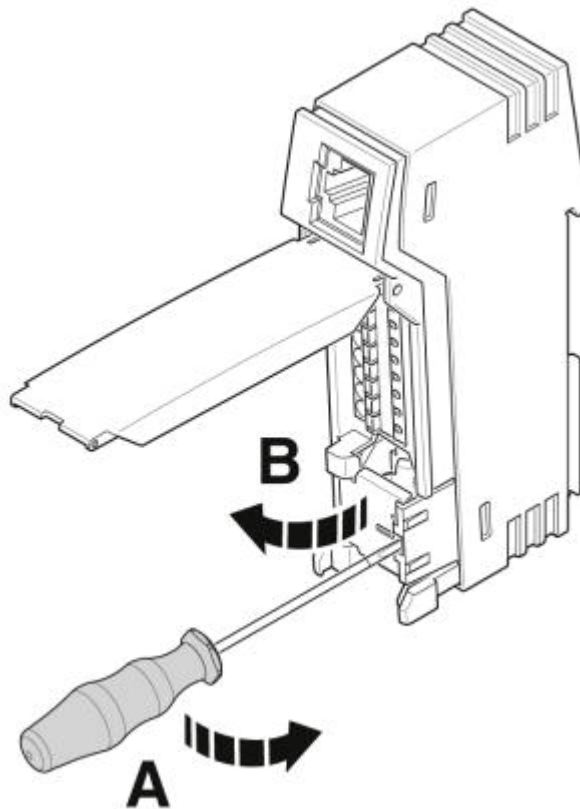


Patch panel - PP-RJ-SCC-F - 2703022

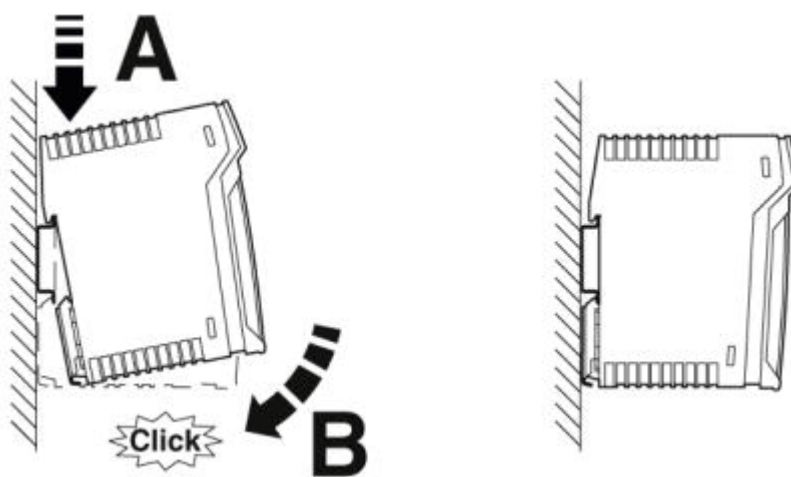


<https://www.phoenixcontact.com/il/products/2703022>

Schematic diagram



Schematic diagram



Patch panel - PP-RJ-SCC-F - 2703022




<https://www.phoenixcontact.com/il/products/2703022>


Approvals

UL Listed 

cUL Listed 

DNV GL 

cULus Listed

ATEX 

Patch panel - PP-RJ-SCC-F - 2703022



<https://www.phoenixcontact.com/il/products/2703022>

Environmental Product Compliance

REACH SVHC	Lead 7439-92-1
China RoHS	Environmentally Friendly Use Period = 50 years
China RoHS	For details about hazardous substances go to tab "Downloads", Category "Manufacturer's declaration"

Patch panel - PP-RJ-SCC-F - 2703022

<https://www.phoenixcontact.com/il/products/2703022>



Accessories

Data cable by the meter

Data cable by the meter - VS-OE-OE-94F/... - 1417359



Network cable, Ethernet CAT6_A (10 Gbps), 8-position, PUR halogen-free, water blue RAL 5021, shielded, free cable end, on free cable end, cable length: Free entry (0.5 ... 400 m)

Data cable preassembled

Data cable preassembled - FL CAT5 FLEX CONF/ - 2744843



CAT5-SF/UTP cable (J-LI02YS(ST)C H 2 x 2 x 26 AWG), light-duty, flexible installation cable 2 x 2 x 0.14 mm², stranded, shielded, outer sheath: 5.75 mm ± 0.15 mm diameter, preassembled on both sides with RJ45 plug, crossover or line assignment

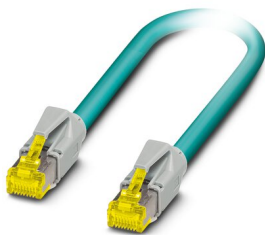
Patch panel - PP-RJ-SCC-F - 2703022

<https://www.phoenixcontact.com/il/products/2703022>



Data cable preassembled

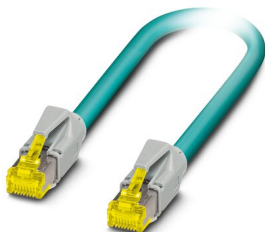
Data cable preassembled - NBC-R4AC-R4AC-IE8A/.../... - 1411854



Patch cable, degree of protection: IP20, number of positions: 8, 10 Gbps, CAT6_A, cable outlet: straight, Ethernet

Data cable preassembled

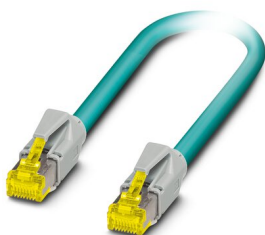
Data cable preassembled - NBC-R4AC/10G-R4AC/10G-94F/2,0 - 1408360



Patch cable, CAT6_A, 4-pair, shielded, connection not crossed (line), assembled at both ends with RJ45/IP20 connectors, outer sheath material: PUR, length: 2.0 m

Data cable preassembled

Data cable preassembled - NBC-R4AC/10G-R4AC/10G-94F/3,0 - 1408365



Patch cable, CAT6_A, 4-pair, shielded, connection not crossed (line), assembled at both ends with RJ45/IP20 connectors, outer sheath material: PUR, length: 3.0 m

Patch panel - PP-RJ-SCC-F - 2703022

<https://www.phoenixcontact.com/il/products/2703022>



Data cable preassembled

Data cable preassembled - NBC-R4AC/1,0-93B/R4AC - 1408968



Patch cable, degree of protection: IP20, cable length: 1 m, number of positions: 4, 100 Mbps, CAT5, material: PA 6.6, PROFINET

Data cable preassembled

Data cable preassembled - NBC-R4AC/2,0-93B/R4AC - 1408969



Patch cable, degree of protection: IP20, cable length: 2 m, number of positions: 4, 100 Mbps, CAT5, material: PA 6.6, PROFINET

Patch panel

Patch panel - PP-RJ-RJ - 2703015



Patch panel, two RJ45 jacks, 10/100/1000 MBps, DIN rail adapter, IP20

Patch panel - PP-RJ-SCC-F - 2703022

<https://www.phoenixcontact.com/il/products/2703022>



Patch panel

Patch panel - PP-RJ-SC - 2703016



Patch panel, RJ45 jack on screw terminal blocks, 10/100/1000 Mbps, DIN rail adapter, IP20, shield contacting with strain relief

Patch panel

Patch panel - PP-RJ-SCC - 2703018



Patch panel, RJ45 jack on Push-in terminal blocks, 10/100/1000 Mbps, DIN rail adapter, IP20, shield contacting with strain relief

Patch panel

Patch panel - PP-RJ-IDC - 2703019



Patch panel, RJ45 jack on IDC terminal blocks, 10/100/1000 Mbps, DIN rail adapter, IP20, shield contacting with strain relief

Patch panel - PP-RJ-SCC-F - 2703022

<https://www.phoenixcontact.com/il/products/2703022>



Patch panel

Patch panel - FL-PP-RJ45-SC - 2901643



Patch panel, one RJ45 jack to 8 screw connection terminal blocks (1:1 assignment), CAT5e, 10/100/1000 Mbps, DIN rail adapter, IP20, option of shield contacting to the DIN rail via jumpers

Patch panel

Patch panel - FL-PP-RJ45-LSA - 2901645



Patch panel, one RJ45 jack to 8 LSA connection terminal blocks (1:1 assignment), CAT5e, 10/100/1000 Mbps, DIN rail adapter, IP20, option of shield contacting to the DIN rail via bridges

Patch panel

Patch panel - FL-PP-RJ45/RJ45 - 2901646



Patch panel, two RJ45 jacks (1:1 assignment), CAT5e, 10/100/1000 Mbps, DIN rail adapter, IP20, option of shield contacting to the DIN rail via jumpers

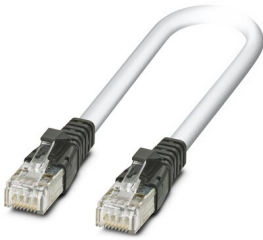
Patch panel - PP-RJ-SCC-F - 2703022



<https://www.phoenixcontact.com/il/products/2703022>

Patch cable

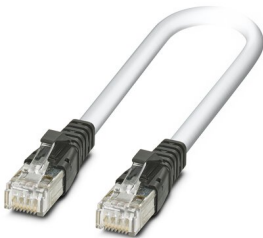
Patch cable - FL CAT5 PATCH 0,3 - 2832250



Patch cable, CAT5, assembled, 0.3 m

Patch cable

Patch cable - FL CAT5 PATCH 0,5 - 2832263



Patch cable, CAT5, assembled, 0.5 m

Patch cable

Patch cable - FL CAT5 PATCH 1,0 - 2832276



Patch cable, CAT5, assembled, 1 m

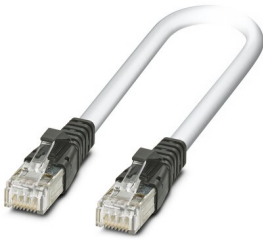
Patch panel - PP-RJ-SCC-F - 2703022



<https://www.phoenixcontact.com/il/products/2703022>

Patch cable

Patch cable - FL CAT5 PATCH 1,5 - 2832221



Patch cable, CAT5, assembled, 1.5 m

Patch cable

Patch cable - FL CAT5 PATCH 2,0 - 2832289



Patch cable, CAT5, assembled, 2 m

Patch cable

Patch cable - FL CAT5 PATCH 3,0 - 2832292



Patch cable, CAT5, assembled, 3 m

Patch panel - PP-RJ-SCC-F - 2703022

<https://www.phoenixcontact.com/il/products/2703022>



Network isolator

Network isolator - FL ISOLATOR 100-RJ/SC - 2313928



Passive network isolator for electrical isolation in Ethernet networks. This protects Ethernet devices from potential differences of up to 4 kV. Can be used for transmission speeds of up to 100 Mbps. Connection using RJ45 and COMBICON plug-in screw terminal block.

Network isolator

Network isolator - FL ISOLATOR 100-RJ/RJ - 2313931



Passive network isolator for electrical isolation in Ethernet networks. This protects Ethernet devices from potential differences of up to 4 kV. Can be used for transmission speeds of up to 100 Mbps. Possible to connect two RJ45 plugs.

Network isolator

Network isolator - FL ISOLATOR 1000-RJ/RJ - 2313915



Passive network isolator for electrical isolation in Ethernet networks. This protects Ethernet devices from potential differences of up to 4 kV. Can be used for transmission speeds of up to 1 Gbps. Possible to connect two RJ45 plugs.

Patch panel - PP-RJ-SCC-F - 2703022

<https://www.phoenixcontact.com/il/products/2703022>



Network isolator

Network isolator - FL ISOLATOR 100-M12 - 2902985



Passive network isolator for electrical isolation in Ethernet networks. For the protection of Ethernet devices against potential differences of up to 4 kV. Can be used for transmission speeds of up to 100 Mbps. Ethernet connection via two M12 sockets (D-coded).

Screwdriver tools

Screwdriver tools - SZF 0-0,4X2,5 - 1204504



Actuation tool, for ST terminal blocks, also suitable for use as a bladed screwdriver, size: 0.4 x 2.5 x 75 mm, 2-component grip, with non-slip grip

Data plug

Data plug - FL CRIMPTOOL - 2744869



Crimping pliers, for assembling the RJ45 plugs FL PLUG RJ45..., for assembly on site

Patch panel - PP-RJ-SCC-F - 2703022



<https://www.phoenixcontact.com/il/products/2703022>

Data plug

Data plug - VS-08-RJ45-10G/Q - 1419001



RJ45 connector, IP20, CAT6_A, 8-pos., with QUICKON fast connection technology, for 26 ... 24 AWG 1-wire and 7-wire conductors, color: black

Data plug

Data plug - VS-PN-RJ45-5-Q/IP20 - 1658435



RJ45 connector, degree of protection: IP20, number of positions: 4, 100 Mbps, CAT5 (IEC 11801:2002), material: PA, connection method: IDC fast connection, cable outlet: straight, color: traffic grey A RAL 7042, PROFINET

Data plug

Data plug - VS-08-RJ45-5-Q/IP20 - 1656725



RJ45 connector, degree of protection: IP20, number of positions: 8, 1 Gbps, CAT5 (IEC 11801:2002), material: PA, connection method: IDC fast connection, connection cross section: AWG 26- 23, cable outlet: straight, color: traffic grey A RAL 7042, Ethernet

Patch panel - PP-RJ-SCC-F - 2703022



<https://www.phoenixcontact.com/il/products/2703022>

Data plug

Data plug - VS-08-RJ45-5-Q/IP20 BK - 1658008



RJ45 connector, degree of protection: IP20, number of positions: 8, 1 Gbps, CAT5 (IEC 11801:2002), material: PA, connection method: IDC fast connection, connection cross section: AWG 26- 23, cable outlet: straight, color: black, Ethernet

Electronics pliers

Electronics pliers - MICROFOX-SP - 1212488



Electronic diagonal cutter, tapered head, angled (21°), without chamfer, with opening spring

Phoenix Contact 2021 © - all rights reserved
<https://www.phoenixcontact.com>

PHOENIX CONTACT Israel Ltd.
P.O.B. 1799 Industrial Park Hasharon
Quadima 60920
+972-9-8915700
info@phoenixcontact.co.il



SCATTERGOOD & JOHNSON LTD

ELECTRICAL ENGINEERING & FLUID CONTROL DISTRIBUTORS

Est.1899

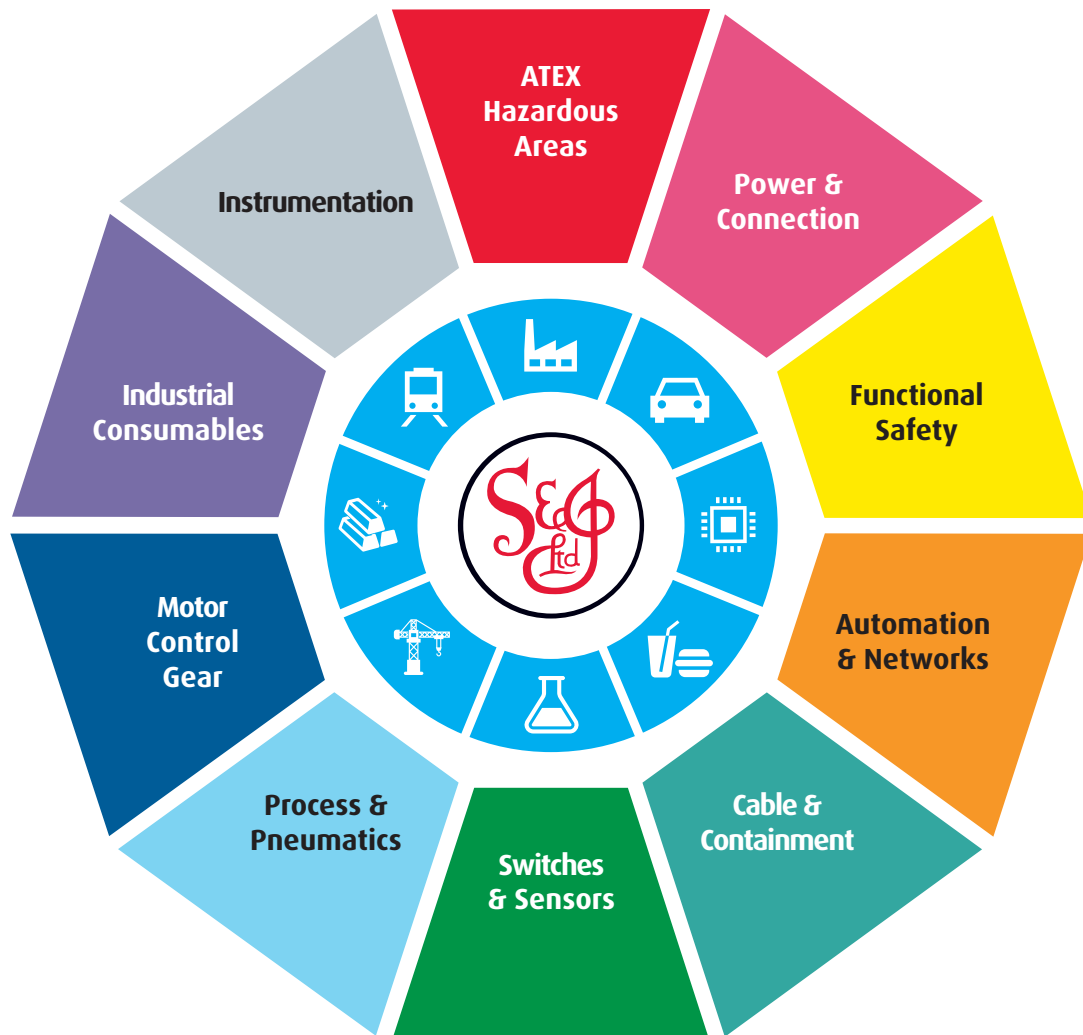
At Scattergood & Johnson Ltd, we pride ourselves on being a technical distributor to specialist industries.

Working with a range of quality product suppliers across a number of specialist markets, we are not your average 'box shifter' - we are your technical and supply chain partner.

We fully support every product we sell - for free! Our internal team and external sales engineers can answer any product or application question, no matter the complexity.

Backing up this technical ability is a range of 50,000+ products available from stock for nationwide next day delivery (same day if required!), or you can collect what you need from any of our trade counters around the UK.

Select your specialist interest below to learn more about how we can help.



Online, In Branch and On the Road - Scattergood & Johnson Ltd, there when you need us.

www.scatts.co.uk