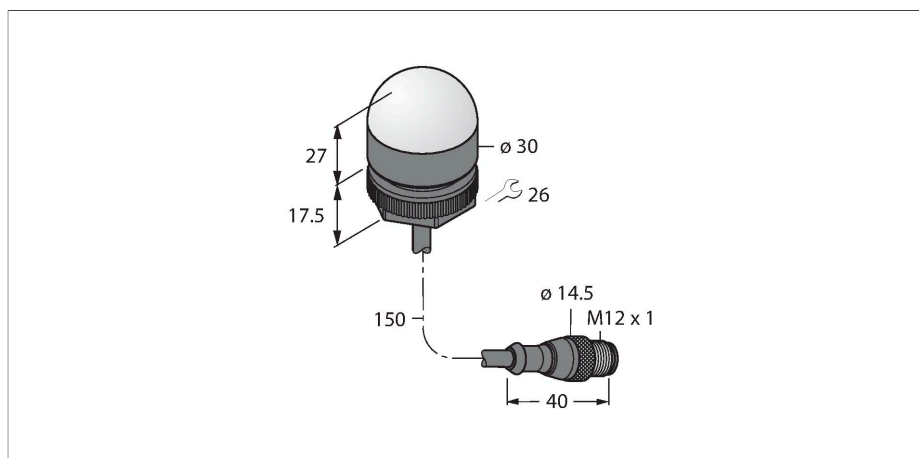


# K30LIGRYPQP

## LED Indicator – Beacon



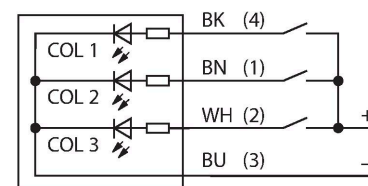
### Technical data

Type	K30LIGRYPQP
ID no.	3026940
<b>Signal and display data</b>	
Purpose	LED indicator light
Function	Spotlight
Light type	Green Red Yellow
LED service life (L70)	50000 h
Dimmable	no
Features of color 1	Green, Permanently on
Features of color 2	Red
Features of color 3	Yellow
Special features	Wash down
<b>Electrical data</b>	
DC rated operational current	≤ 40 mA
Input type	PNP
Response time typical	< 1 ms
<b>Mechanical data</b>	
Cascadable	no
Design	Cylinder, threaded, K50L
Dimensions	Ø 30 x 44.5 x 44.5 mm
Housing material	Plastic, PC, Black
Window material	Polycarbonate, diffuse
Electrical connection	Cable with connector, M12 × 1, 0.15 m, PVC
Number of cores	4

### Features

- LED all-round visible
- ATEX category II 1 G, Ex-zone 0
- ATEX category II 1 D, Ex-zone 20
- Individually controllable
- Mechanical screw-in thread M22.5 x 1.5
- Protection classes IP67/IP69K
- Multicolor: Green (COL 1) / Red (COL 2) / Yellow (COL 3)
- Cable with male end M12 x 1
- It is envisaged to control always only one color with the appropriate equipment

### Wiring diagram



### Technical data

Ambient temperature	-40...+50 °C
Relative humidity	0...95 %
Protection class	IP67 IP69
<b>Tests/approvals</b>	
MTTF	249 years acc. to SN 29500 (Ed. 99) 40 °C
Approvals	CE, IECEx

### Accessories

<p><b>IMX12-DO01-1U-1U-0/ 24VDC</b></p>	<p><b>7580101</b></p> <p>Solenoid driver; 1-channel; SIL 2 acc. to IEC 61508; Ex-proof version; monitoring of wire-break and short-circuit; removable screw terminals; 12.5 mm wide; 24 VDC power supply</p>	<p><b>IMX12-DO01-2U-2U-0/ 24VDC</b></p>	<p><b>7580105</b></p> <p>Solenoid driver; 2-channel; SIL 2 acc. to IEC 61508; Ex-proof version; monitoring of wire-break and short-circuit; removable screw terminals; 12.5 mm wide; 24 VDC power supply</p>
---	--	---	--

### Accessories

<p><b>Dimension drawing</b></p>	<p><b>Type</b></p> <p>IM72-11EX/L</p>	<p><b>ID no.</b></p> <p>7520703</p>	<p><b>Screw terminals</b></p>
---------------------------------	---------------------------------------	-------------------------------------	-------------------------------



# SCATTERGOOD & JOHNSON LTD

ELECTRICAL ENGINEERING & FLUID CONTROL DISTRIBUTORS

Est.1899

At Scattergood & Johnson Ltd, we pride ourselves on being a technical distributor to specialist industries.

Working with a range of quality product suppliers across a number of specialist markets, we are not your average 'box shifter' - we are your technical and supply chain partner.

We fully support every product we sell - for free! Our internal team and external sales engineers can answer any product or application question, no matter the complexity.

Backing up this technical ability is a range of 50,000+ products available from stock for nationwide next day delivery (same day if required!), or you can collect what you need from any of our trade counters around the UK.

Select your specialist interest below to learn more about how we can help.



Online, In Branch and On the Road - Scattergood & Johnson Ltd, there when you need us.

# [www.scatts.co.uk](http://www.scatts.co.uk)