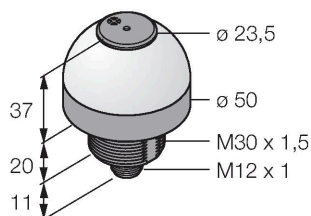


K50L2RGBKA1Q

LED Indicator – Beacon with Audible Signal



Features

- LED all-round visible
- Continuous signal: 75dB
- Individually controllable
- Mechanical screw-in thread M30x1.5
- Protection class IP50
- Up to 12 predefined colors or millions of customized colors can be displayed
- Flashing function, alternation, two-colored displays and intensity check
- Male M12 x 1, 5-pin
- Operating voltage 18...30 VDC

Wiring diagram



Functional principle

These lights have RGB LEDs. Using IO-Link, 1 of up to 12 predefined colors can be activated or 1 of up to 1,000,000 desired colors can be set using X and Y coordinates. The functions include a flashing function, intensity check and animations such as rotation, alternation and two-colored displays. The major advantage of these LEDs is the color fidelity and luminance. Compared to their predecessors, a large number of variants can be produced with just a single light.

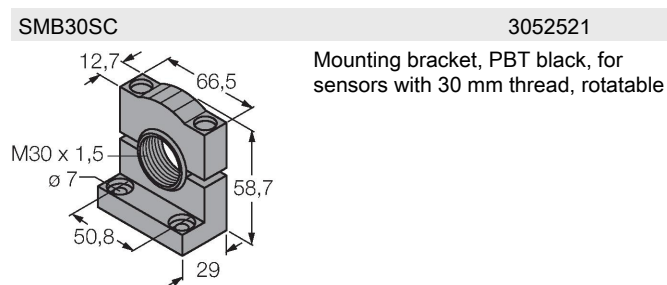
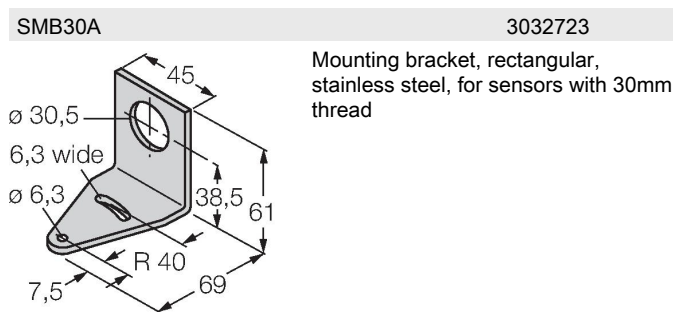
Technical data

Type	K50L2RGBKA1Q
ID no.	3802160
Signal and display data	
Purpose	LED indicator light
Function	Spotlight
Light type	RGB
Dimmable	no
Features of color 1	Can be set via IO-Link, Can be set via IO-Link
acoustic signal	Key adjustable, 75 dB
Special features	Wash down
Electrical data	
Operating voltage	18...30 VDC
DC rated operational current	≤ 40 mA
Max. current consumption per color	150 mA
Max. current consumption of beeper	220 mA
Communication protocol	IO-Link
Input type	Communication protocol
Response time typical	< 30 ms
IO-Link	
IO-Link specification	V 1.1
Communication mode	COM 2 (38.4 kBaud)
Process data width	16 bit
Frame type	Type_2_2
Function Pin 4	IO-Link
Maximum cable length	20 m
Included in the SIDI GSDML	Yes

Technical data

Mechanical data	
Cascadable	no
Design	Cylinder, threaded, K50L
Dimensions	Ø 50 x 68 x 68 mm
Housing material	Plastic, PC ABS, Black
Window material	Polycarbonate, diffuse
Electrical connection	Connectors, M12 × 1, PVC
Number of cores	4
Ambient temperature	-20...+50 °C
Relative humidity	0...90 %
Protection class	IP50
Tests/approvals	
Approvals	CE, UL listed

Accessories



Accessories

Dimension drawing	Type	ID no.	
	RKC4.4T-2/TEL	6625013	Connection cable, female M12, straight, 4-pin, cable length: 2 m, sheath material: PVC, black; cULus approval; other cable lengths and qualities available, see www.turck.com
	WKC4.4T-2/TEL	6625025	Connection cable, female M12, angled, 4-pin, cable length: 2 m, sheath material: PVC, black; cULus approval; other cable lengths and qualities available, see www.turck.com
	RKC4.5T-2/TEL	6625016	Connection cable, female M12, straight, 5-pin, cable length: 2 m, sheath material: PVC, black; cULus approval; other cable lengths and qualities available, see www.turck.com
	WKC4.5T-2/TEL	6625028	Connection cable, female M12, angled, 5-pin, cable length: 2 m, sheath material: PVC, black; cULus approval; other cable lengths and qualities available, see www.turck.com



SCATTERGOOD & JOHNSON LTD

ELECTRICAL ENGINEERING & FLUID CONTROL DISTRIBUTORS

Est.1899

At Scattergood & Johnson Ltd, we pride ourselves on being a technical distributor to specialist industries.

Working with a range of quality product suppliers across a number of specialist markets, we are not your average 'box shifter' - we are your technical and supply chain partner.

We fully support every product we sell - for free! Our internal team and external sales engineers can answer any product or application question, no matter the complexity.

Backing up this technical ability is a range of 50,000+ products available from stock for nationwide next day delivery (same day if required!), or you can collect what you need from any of our trade counters around the UK.

Select your specialist interest below to learn more about how we can help.



Online, In Branch and On the Road - Scattergood & Johnson Ltd, there when you need us.

www.scatts.co.uk