



DATASHEET

QUICK CHANGER
DUAL QUICK CHANGER
QUICK CHANGER FOR I/O
QUICK CHANGER TOOL SIDE

V1.2

1 Datasheet

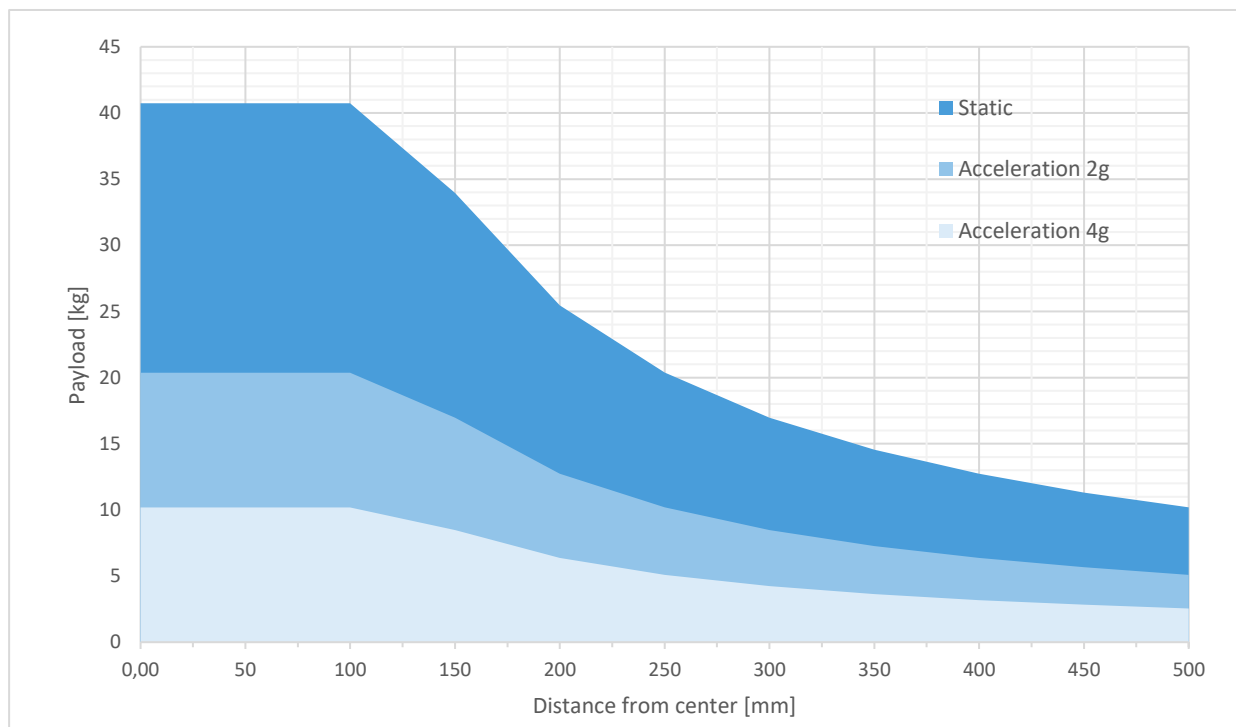
If not specified, the data represent the combination of the different Quick Changer types/sides.

Technical data	Min	Typical	Max	Units
Permissible force*	-	-	400*	[N]
Permissible torque*	-	-	50*	[Nm]
Rated payload*	-	-	20* 44	[kg] [lbs]
Repeatability	-	-	±0.02	[mm]
IP Classification	67			
Operating life (Tool change)	-	5.000	-	[cycles]
Operating life (Robot operation)	10	-	-	[M cycles]

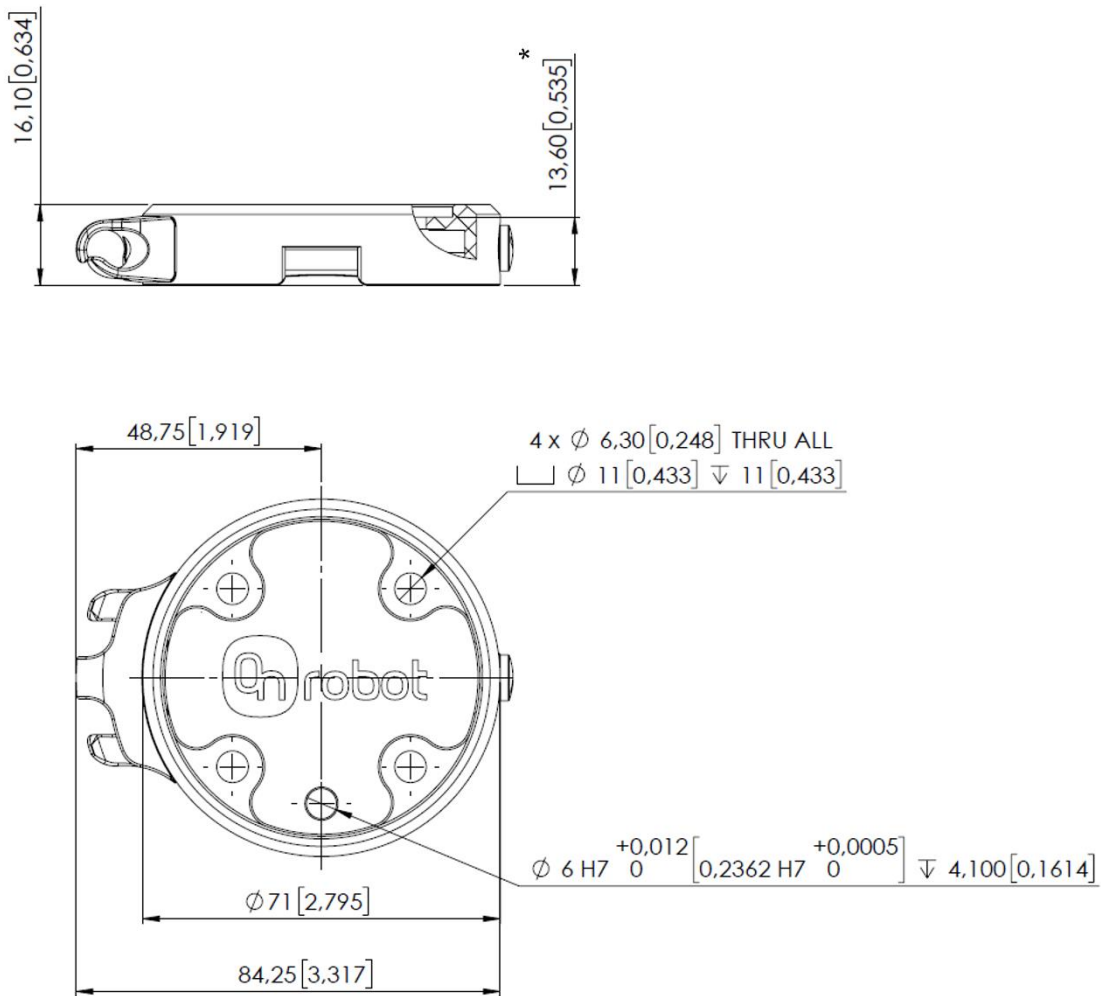
* See load capacity graph below.

	Quick Changer	Quick Changer for I/O	Dual Quick Changer	Quick Changer - Tool Side	Units
Weight	0.06 0.13	0.093 0.21	0.41 0.9	0.14 0.31	[kg] [lb]
Dimensions	See Mechanical dimension section				

Load capacity



Quick Changer - Robot side



* Distance from Robot flange interface to OnRobot tool.

All dimensions are in mm and [inches].

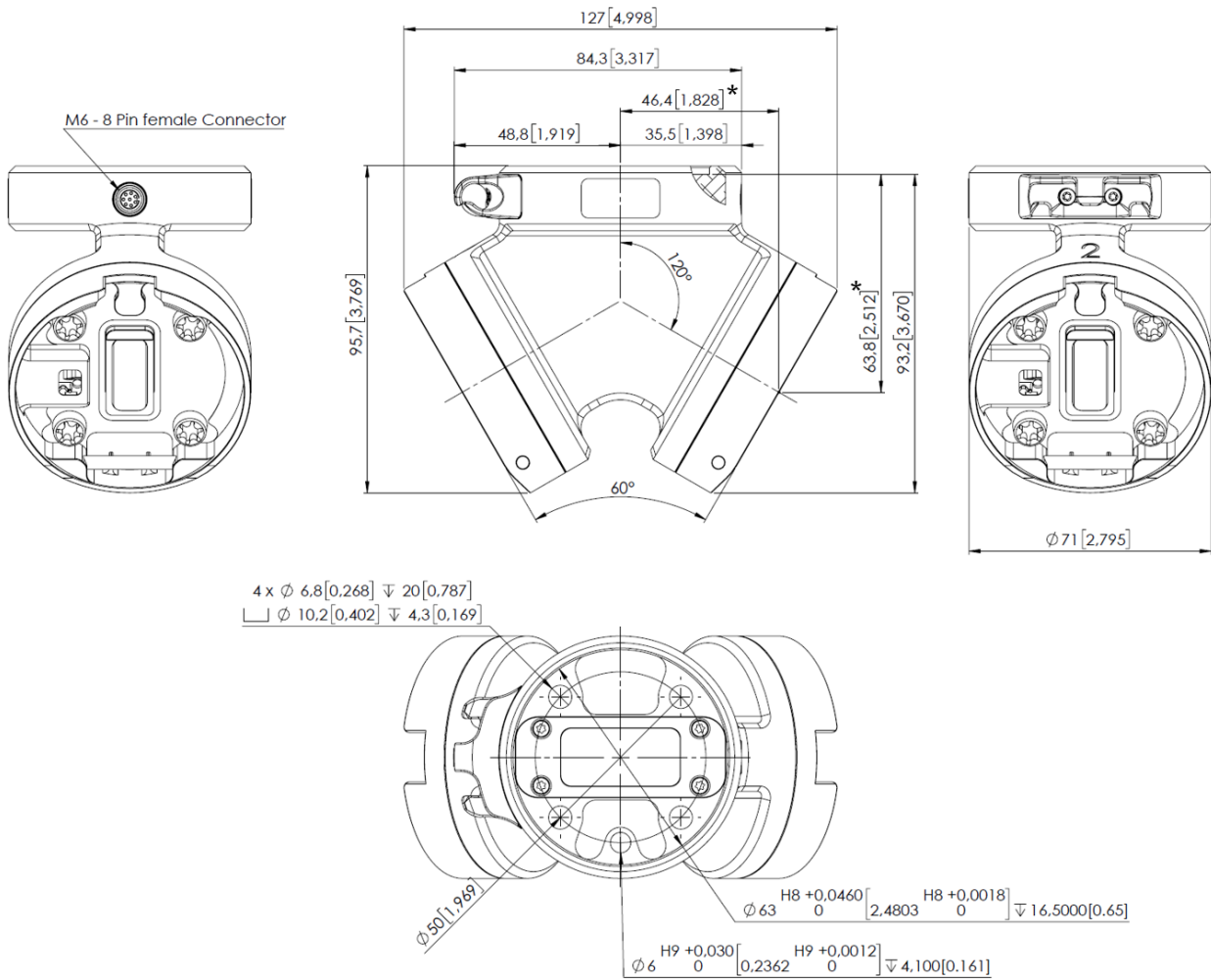


NOTE:

The cable holder (on the left side) is only required with the long (5 meter) cable.

Datasheet

Dual Quick Changer

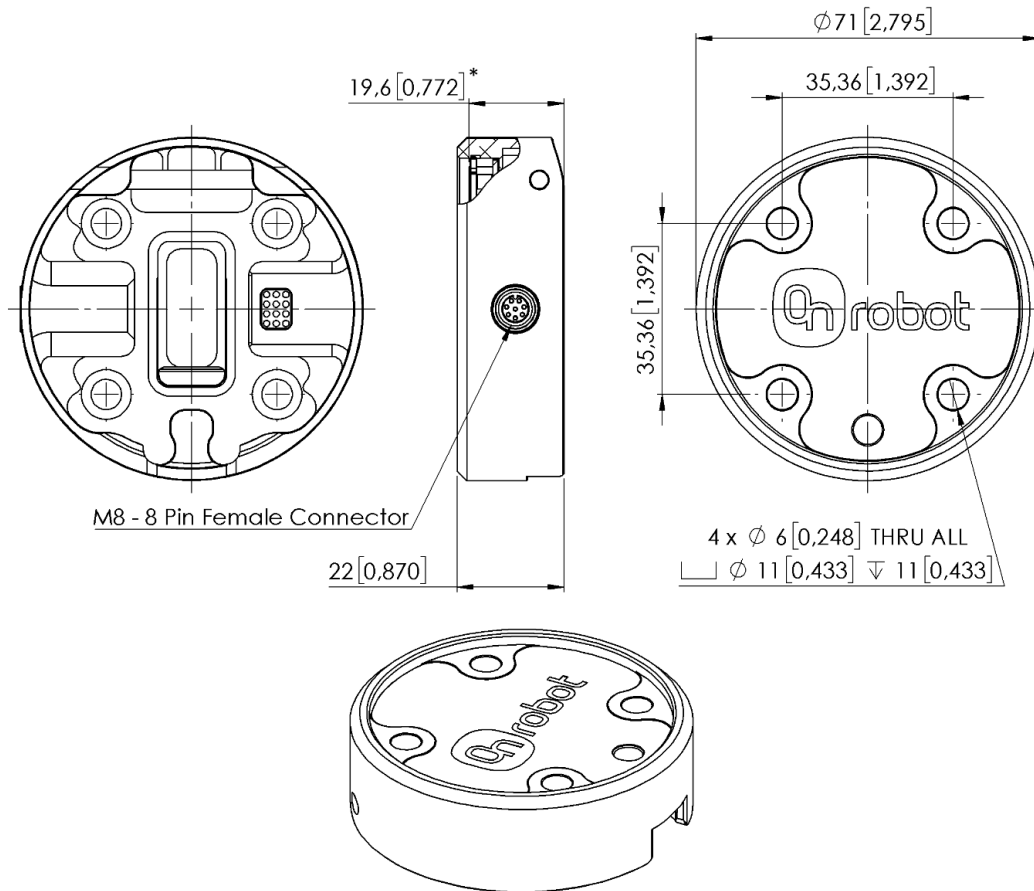


* Distance from Robot flange interface to OnRobot tool

All dimensions are in mm and [inches].

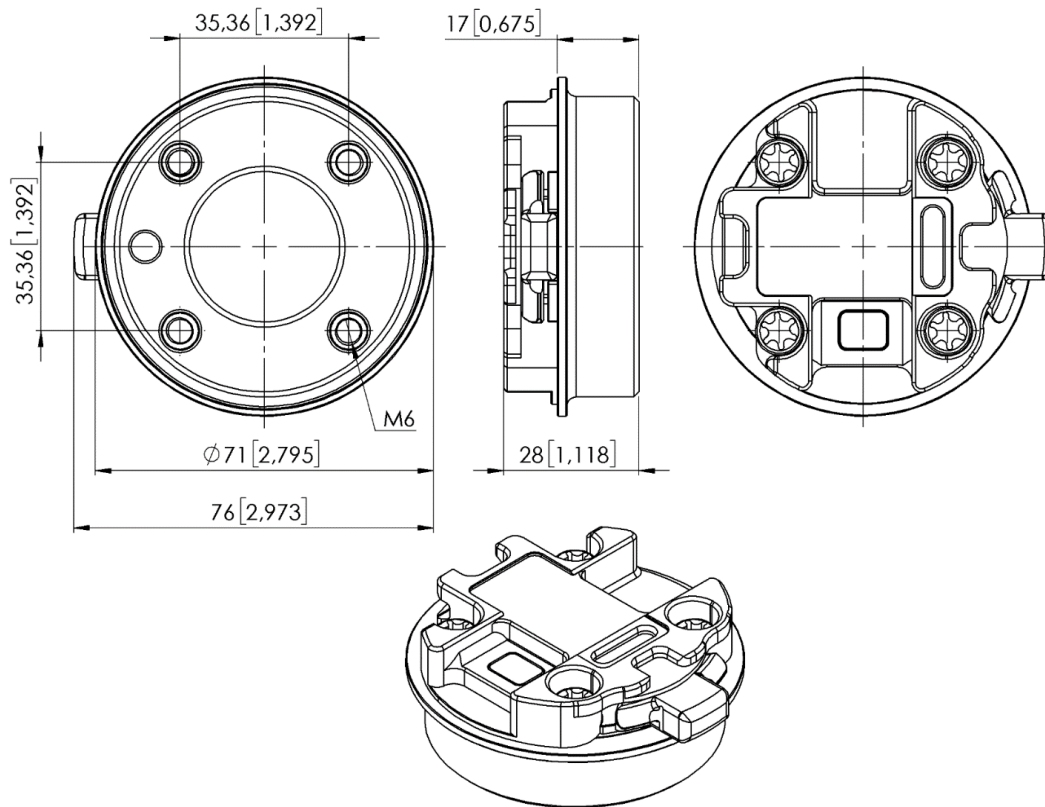
Datasheet

Quick Changer
for I/O - Robot
side



* Distance from Robot flange interface to OnRobot tool

All dimensions are in mm and [inches].

**Quick Changer -
Tool side**

All dimensions are in mm and [inches].



SCATTERGOOD & JOHNSON LTD

ELECTRICAL ENGINEERING & FLUID CONTROL DISTRIBUTORS

Est.1899

At Scattergood & Johnson Ltd, we pride ourselves on being a technical distributor to specialist industries.

Working with a range of quality product suppliers across a number of specialist markets, we are not your average 'box shifter' - we are your technical and supply chain partner.

We fully support every product we sell - for free! Our internal team and external sales engineers can answer any product or application question, no matter the complexity.

Backing up this technical ability is a range of 50,000+ products available from stock for nationwide next day delivery (same day if required!), or you can collect what you need from any of our trade counters around the UK.

Select your specialist interest below to learn more about how we can help.



Online, In Branch and On the Road - Scattergood & Johnson Ltd, there when you need us.

www.scatts.co.uk