


| | | |
|---------------------------|--|---|
| 21700651 | DATA SHEET |  |
| Valid from: 08.07.2021 | EPIC® DATA ED-IE-AXS-5-PN-20-FC | |

Description

- Field mountable RJ45-connector acc. IEC 60603-7-5 1 shielded
- Color coding acc. to PROFINET standard
- For industrial ethernet



General characteristics

| | |
|------------------------------|---------------------------------|
| Connection method, connector | RJ45-plug, field mountable |
| Number of pins | 4 |
| Ambient temperature | -40°C to +85°C (-40°F to 185°F) |
| Degree of protection | IP 20 |
| Shielding | Shielded |
| For cable-Ø | Ø5.5 mm to Ø10.0 mm |

Variation

| Article | Description | Valid cu-conductor | Valid insulation-Ø | Pin assignment |
|-----------|----------------------|--|--------------------|----------------|
| 21700651* | ED-IE-AXS-5-PN-20-FC | AWG22/1 to AWG24/1 AWG22/7 to AWG27/7 | 1,0 - 1,6 | PROFINET |

Additional note

* Released Lapp-cables (for AWG22/19) 2170888.

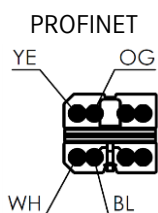
Electrical properties

| | |
|---|---|
| Rated voltage | 50 VAC / 60 VDC (max.) |
| Rated current at 50 °C | 1 A |
| Pollution degree | 2 |
| Contact resistance | ≤ 20 mΩ |
| Insulation resistance | ≥ 500 MΩ |
| Withstand voltage | ≥ 1000 VDC contact to contact ≥ 1500 VDC contact to shield |
| Suitable for Power over Ethernet 4PPoE acc. to IEEE 802.3bt | yes |


Transmission characteristics

| | |
|----------------|---|
| Category (ISO) | 5 (PROFINET Installation Guideline) 6 _A (Product Standard RJ45-connector) |
|----------------|---|

Connector pin assignment



| | | |
|---|---------------------------------------|-------------|
| Creator: FELI1/PDP Released: IVSE1/PDP | Document: DB21700651EN Version: 02 | Page 1 of 2 |
|---|---------------------------------------|-------------|

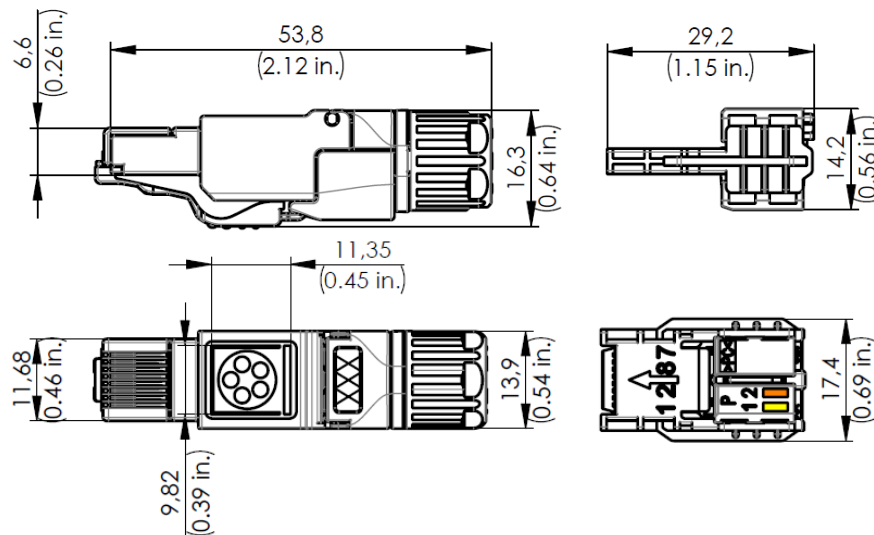
| | | |
|---------------------------|--|---|
| 21700651 | DATA SHEET |  |
| Valid from: 08.07.2021 | EPIC® DATA ED-IE-AXS-5-PN-20-FC | |

Mechanical properties

RJ45-plug

| | |
|---|----------------------------|
| Inflammability class according to UL 94 | V0 |
| Connector housing, material | Zink diecast Ni plated |
| Contact housing, material | PC crystal clear |
| Wire presorting, material | PC white |
| Hook, material | PC black |
| Strain relief lever, material | PBT black |
| Protection cap, material | PBT black |
| Screening shield, material | spring steel |
| PCB, material | FR4, soldermask both side |
| Piercing contacts, material | phosphor bronze, sn plated |
| Shield contact, material | brass, ni plated |
| Contact, material | spring steel, gold plated |

Technical drawing



Standards / Approvals

| | |
|----------------------------------|---------------------------------|
| Product standard, RJ45-connector | IEC 60603-7-51 |
| Generic cabling systems | Profinet Installation Guideline |

Approvals

| | |
|-------------------|--------------|
| UL listed, E-File | DUXR.E353543 |
|-------------------|--------------|

Application range

Automation, industrial machinery and plant engineering

Note

Photographs are not true to scale and do not represent detailed images of the respective products.

| | | |
|---|---------------------------------------|-------------|
| Creator: FELI1/PDP Released: IVSE1/PDP | Document: DB21700651EN Version: 02 | Page 2 of 2 |
|---|---------------------------------------|-------------|



SCATTERGOOD & JOHNSON LTD

ELECTRICAL ENGINEERING & FLUID CONTROL DISTRIBUTORS

Est.1899

At Scattergood & Johnson Ltd, we pride ourselves on being a technical distributor to specialist industries.

Working with a range of quality product suppliers across a number of specialist markets, we are not your average 'box shifter' - we are your technical and supply chain partner.

We fully support every product we sell - for free! Our internal team and external sales engineers can answer any product or application question, no matter the complexity.

Backing up this technical ability is a range of 50,000+ products available from stock for nationwide next day delivery (same day if required!), or you can collect what you need from any of our trade counters around the UK.

Select your specialist interest below to learn more about how we can help.



Online, In Branch and On the Road - Scattergood & Johnson Ltd, there when you need us.

www.scatts.co.uk