


21700652	DATA SHEET	
Valid from: 08.07.2021	EPIC® DATA ED-IE-AXS-6A-A-20-FC	

Description

- Field mountable RJ45-connector acc. IEC 60603-7-51, Cat.6_A, shielded
- Color coding acc. EIA/TIA-568 A/B
- For industrial ethernet



General characteristics

Connection method, connector	RJ45-plug, field mountable
Number of pins	8
Ambient temperature	-40°C to +85°C (-40°F to 185°F)
Degree of protection	IP 20
Shielding	Shielded
For cable-Ø	Ø5.5 mm to Ø10.0 mm

Variation

Article	Description	Valid cu-conductor	Valid insulation-Ø	Pin assignment
21700652*	ED-IE-AXS-6A-A-20-FC	AWG22/1 to AWG24/1 AWG22/7 to AWG27/7	1,0 - 1,6	EIA/TIA-568A
21700653*	ED-IE-AXS-6A-B-20-FC	AWG22/1 to AWG24/1 AWG22/7 to AWG27/7	1,0 - 1,6	EIA/TIA-568B
21700654**	ED-IE-AXS-6A-A-20-FD-FC	AWG24/1 to 26/1 AWG24/7 to AWG27/7	0,85 - 1,1	EIA/TIA-568A
21700655**	ED-IE-AXS-6A-B-20-FD-FC	AWG24/1 to 26/1 AWG24/7 to AWG27/7	0,85 - 1,1	EIA/TIA-568B

Additional note

* Released Lapp-cables (for AWG22/19) 2170888.

** Released Lapp-cables (for AWG26/19) 2170488, 2170489, CE217489, 2170289.


Electrical properties

Rated voltage	50 VAC / 60 VDC (max.)
Rated current at 50 °C	1 A
Pollution degree	2
Contact resistance	≤ 20 mΩ
Insulation resistance	≥ 500 MΩ
Withstand voltage	≥ 1000 VDC contact to contact ≥ 1500 VDC contact to shield

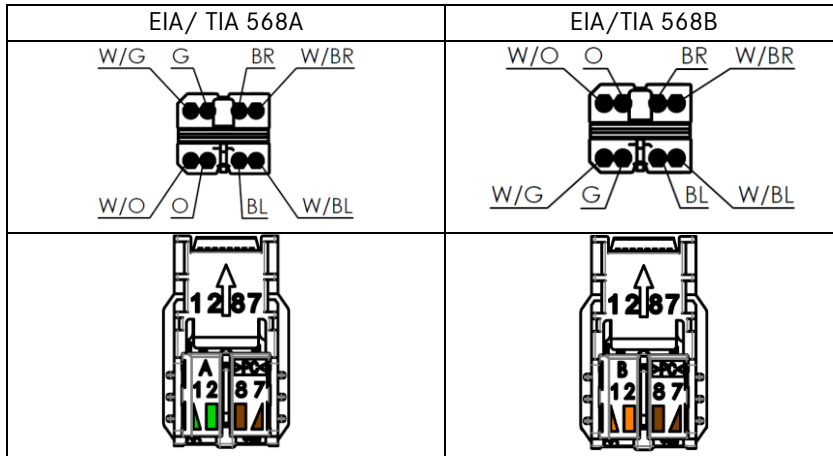
Transmission characteristics

Category (ISO)	6 _A
----------------	----------------

Creator: FELI1/PDP Released: IVSE1/PDP	Document: DB21700652EN Version: 02	Page 1 of 3
---	---------------------------------------	-------------

21700652	DATA SHEET	
Valid from: 08.07.2021	EPIC® DATA ED-IE-AXS-6A-A-20-FC	

Connector pin assignment



Mechanical properties

RJ45-plug

Inflammability class according to UL 94

Connector housing, material

Contact housing, material

Wire presorting, material

Hook, material

Strain relief lever, material

Protection cap, material

Screening shield, material

PCB, material

Piercing contacts, material

Shield contact, material

Contact, material

V0

Zink diecast Ni plated

PC crystal clear (article 21700652 to 21700653)

PC green (article 21700654 to 21700655)

PC white (article 21700652 to 21700653)

PC grey (article 21700654 to 21700655)

PC black

PBT black

PBT black

spring steel

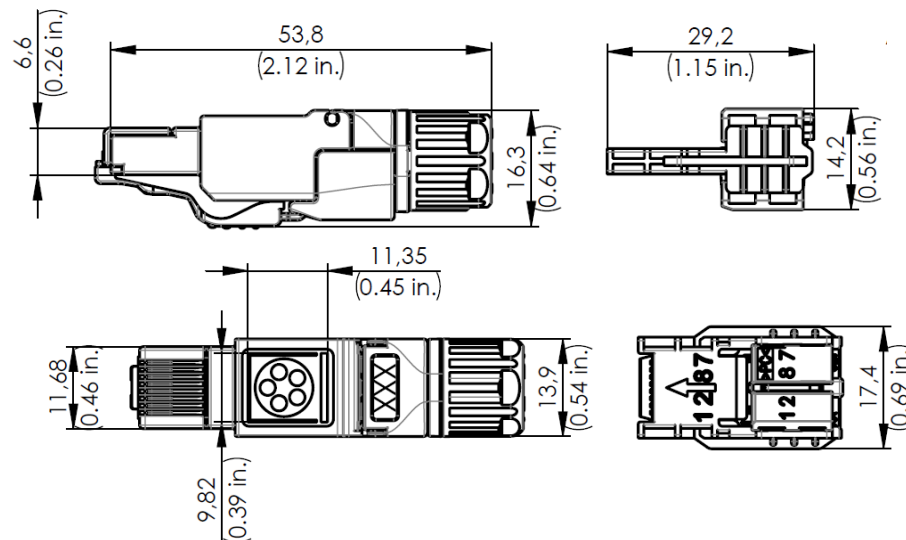
FR4, soldermask both side

phosphor bronze, sn plated


brass, ni plated

spring steel, gold plated

Technical drawing



Creator: FELI1/PDP Released: IVSE1/PDP	Document: DB21700652EN Version: 02	Page 2 of 3
---	---------------------------------------	-------------

21700652	DATA SHEET	
Valid from: 08.07.2021	EPIC® DATA ED-IE-AXS-6A-A-20-FC	

Standards / Approvals

Product standard, RJ45-connector	IEC 60603-7-51
Generic cabling for customer premises – General requirements	ISO/IEC 11801
Transmission rate up to 10Gbit	acc. IEEE 802.3an
POE+	acc. IEEE 802.3at
4PPoE	acc. IEEE 802.3bt

Approvals

UL listed, E-File	DUXR.E353543
-------------------	--------------

Application range

Automation, industrial machinery and plant engineering

Note

Photographs are not true to scale and do not represent detailed images of the respective products.

Creator: FELI1/PDP Released: IVSE1/PDP	Document: DB21700652EN Version: 02	Page 3 of 3
---	---------------------------------------	-------------



SCATTERGOOD & JOHNSON LTD

ELECTRICAL ENGINEERING & FLUID CONTROL DISTRIBUTORS

Est.1899

At Scattergood & Johnson Ltd, we pride ourselves on being a technical distributor to specialist industries.

Working with a range of quality product suppliers across a number of specialist markets, we are not your average 'box shifter' - we are your technical and supply chain partner.

We fully support every product we sell - for free! Our internal team and external sales engineers can answer any product or application question, no matter the complexity.

Backing up this technical ability is a range of 50,000+ products available from stock for nationwide next day delivery (same day if required!), or you can collect what you need from any of our trade counters around the UK.

Select your specialist interest below to learn more about how we can help.



Online, In Branch and On the Road - Scattergood & Johnson Ltd, there when you need us.

www.scatts.co.uk