


52104490	DATA SHEET	
Valid from: 03.07.2018	SKINDICHT® MA-PG/M	

The SKINDICHT® MA-PG/M is a reducer from an outer PG-thread to an inner metric thread.




Technical features:

Material	Brass, nickel-plated
External thread	PG7 up to PG36 acc. to DIN 40430
Internal thread	M12x1.5 up to M40x1.5 acc. to EN 60423
Design	Form A Knurl Form B Smooth
Temperature range	-60°C up to +200°C

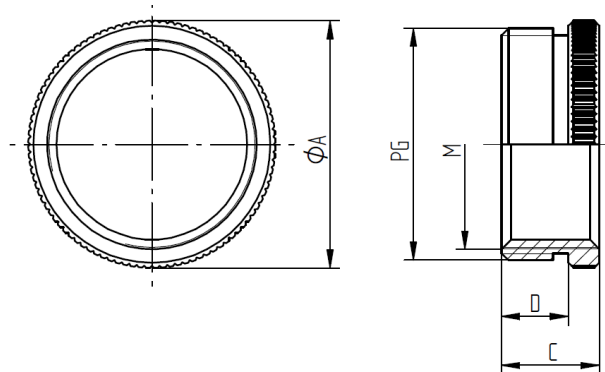
Norm references:



Creator: M. Wegerer PDP Released: DAMU1/PDP	Document: DB52104490EN Version: 02	Page 1 of 2
--	---------------------------------------	-------------

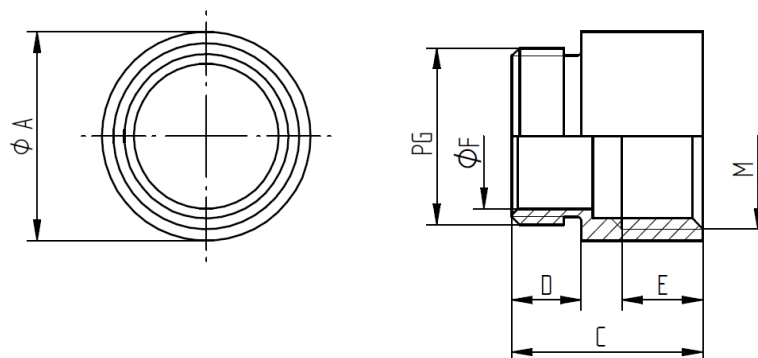
52104490	DATA SHEET	
Valid from: 03.07.2018	SKINDICHT® MA-PG/M	

SKINDICHT® MA-PG/M Form A



External thread PG	Internal thread M	Diameter Ø A mm	Length C mm	Thread length D mm	Part No.
PG 11	M16x1.5	20	8,5	6	52104492
PG 16	M20x1.5	24	9,5	6,5	52104495
PG 21	M20x1.5	30	10	7	52104497
PG 21	M25x1.5	30	10	7	52104498
PG 29	M25x1.5	39	11,5	8	52104500
PG 29	M32x1.5	39	11,5	8	52104501
PG 36	M40x1.5	50	12,5	9	52104503

SKINDICHT® MA-PG/M Form B



External thread PG	Internal thread M	Diameter Ø A mm	Length C mm	Thread length D mm	Thread length E mm	Diameter Ø F mm	Part No.
PG 7	M12x1,5	14	15	5	6	10	52104490
PG 9	M16x1,5	18	16,5	6	7	12,5	52104491
PG 11	M20x1,5	22	18,5	6	8,5	15	52104493
PG 13,5	M20x1,5	22	19	6,5	8,5	17	52104494
PG 16	M25x1,5	27	21	6,5	8,5	18,5	52104496
PG 21	M32x1,5	34	23	7	10	24	52104499
PG 29	M40x1,5	42	25,5	8	11	32	52104502

For more information please see our current catalogue. Please do not hesitate to contact our laboratory if there are any questions regarding resistance against aggressive agents and special oil.

Creator: M. Wegerer PDP Released: DAMU1/PDP	Document: DB52104490EN Version: 02	Page 2 of 2
--	---------------------------------------	-------------



SCATTERGOOD & JOHNSON LTD

ELECTRICAL ENGINEERING & FLUID CONTROL DISTRIBUTORS

Est.1899

At Scattergood & Johnson Ltd, we pride ourselves on being a technical distributor to specialist industries.

Working with a range of quality product suppliers across a number of specialist markets, we are not your average 'box shifter' - we are your technical and supply chain partner.

We fully support every product we sell - for free! Our internal team and external sales engineers can answer any product or application question, no matter the complexity.

Backing up this technical ability is a range of 50,000+ products available from stock for nationwide next day delivery (same day if required!), or you can collect what you need from any of our trade counters around the UK.

Select your specialist interest below to learn more about how we can help.



Online, In Branch and On the Road - Scattergood & Johnson Ltd, there when you need us.

www.scatts.co.uk