

52104450	<b>DATA SHEET</b>	
Valid from: 03.07.2018	<b>SKINDICHT® ME-M</b>	

The SKINDICHT® ME-M enlargers enable the use of the cable glands with bigger outer thread than the already existing thread openings on machines, devices and housings.



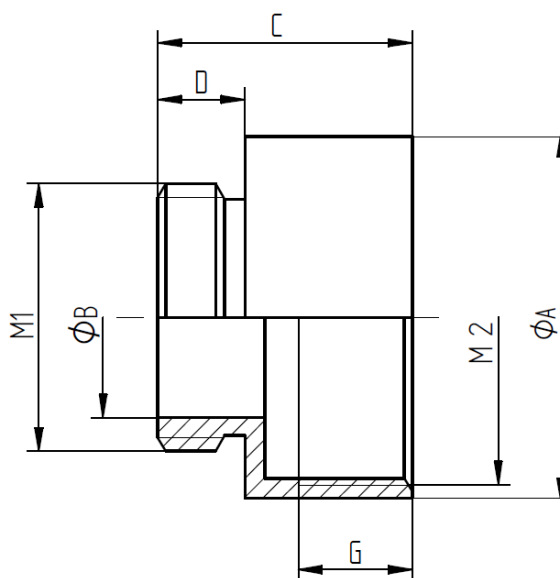
### Technical features:

Material	Brass, nickel-plated
External tread	M12x1.5 up to M63x1.5 acc. to EN 60423
Internal thread	M16x1.5 up to M75x1.5 acc. to EN 60423
Temperature range	-60°C up to +200°C

### Norm references:

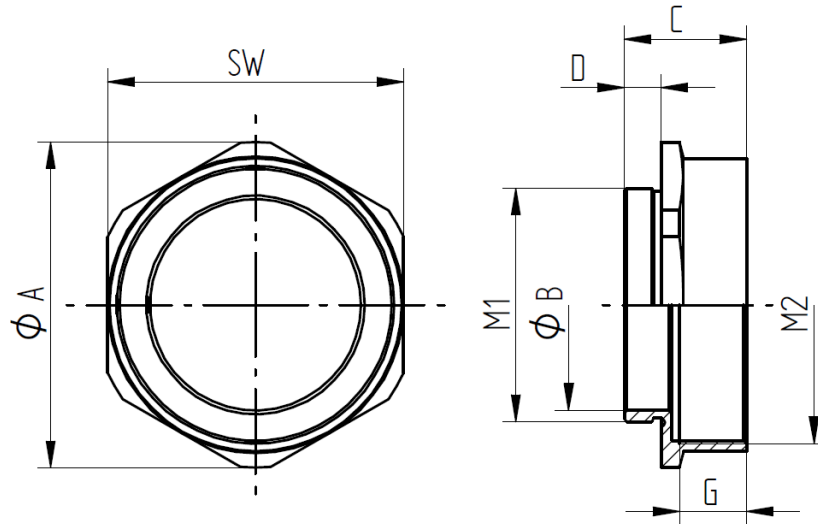


### SKINDICHT® ME-M



External tread M1	Internal thread M2	Diameter Ø A mm	Diameter Ø B mm	High C mm	High D mm	Thread length G mm	Article No.
M12x1,5	M16x1,5	18	8	15	5	7,5	52104450
M16x1,5	M20x1,5	22	12	17,5	6	8,5	52104452
M20x1,5	M25x1,5	27	15	19	6,5	8,5	52104454
M25x1,5	M32x1,5	34	20	21	6,5	9,5	52104456
M32x1,5	M40x1,5	42	26	23	7	9,5	52104458
M40x1,5	M50x1,5	53	33	31	9	11	52104460
M50x1,5	M63x1,5	67	43	33	10	16	52104462

52104450	<b>DATA SHEET</b>	
Valid from: 03.07.2018	<b>SKINDICHT® ME-M</b>	

**SKINDICHT® ME-M 6 Kt.**

External tread M1	Internal thread M2	Wrench Size SW	Diameter $\phi A$ mm	Diameter $\phi B$ mm	High C mm	High D mm	Thread length G mm	Article No.
M63x1,5	M75x1,5	80	88	57	33	10	18	52104463

For more information please see our current catalogue. Please do not hesitate to contact our laboratory if there are any questions regarding resistance against aggressive agents and special oil.

Creator: M. Wegerer /PDP Released: DAMU1/PDP	Document: DB52104450EN Version: 04	Page 2 of 2
---	---------------------------------------	-------------



# SCATTERGOOD & JOHNSON LTD

ELECTRICAL ENGINEERING & FLUID CONTROL DISTRIBUTORS

Est.1899

At Scattergood & Johnson Ltd, we pride ourselves on being a technical distributor to specialist industries.

Working with a range of quality product suppliers across a number of specialist markets, we are not your average 'box shifter' - we are your technical and supply chain partner.

We fully support every product we sell - for free! Our internal team and external sales engineers can answer any product or application question, no matter the complexity.

Backing up this technical ability is a range of 50,000+ products available from stock for nationwide next day delivery (same day if required!), or you can collect what you need from any of our trade counters around the UK.

Select your specialist interest below to learn more about how we can help.



Online, In Branch and On the Road - Scattergood & Johnson Ltd, there when you need us.

# [www.scatts.co.uk](http://www.scatts.co.uk)