


52015700	DATA SHEET	
Valid from: 03.07.2018	SKINTOP® MS / MSR	

The SKINTOP® MS/MSR, a nickel-plated brass cable gland which combines high quality with regard to consistency and reliability, is especially designed for use in manufacturing of machines and equipment, in measuring, controlling as well as in the pharmaceutical industry and for medical equipment.



Components:

Gland body	Brass, nickel-plated
Cap nut	Brass, nickel-plated
Insert with lamellar cage	Polyamide
Sealing ring	CR (ozone- and UV-resistant)
O-ring	NBR (ozone- and UV-resistant)

Technical features:

Connecting thread	PG7 up to PG48 acc. to DIN 40430
Protection class	IP68 - 5 bar, test acc. to EN 60529
Temperature range	Dynamic -25 °C up to +100 °C Statically -40 °C up to +100 °C
Design	MS Standard MSR with reducing sealing ring

Recommended torque rates in acc. to DIN VDE 0619

PG7 up to PG13.5	6.25 Nm
PG16	7.5 Nm
PG21 up to PG48	10.0 Nm

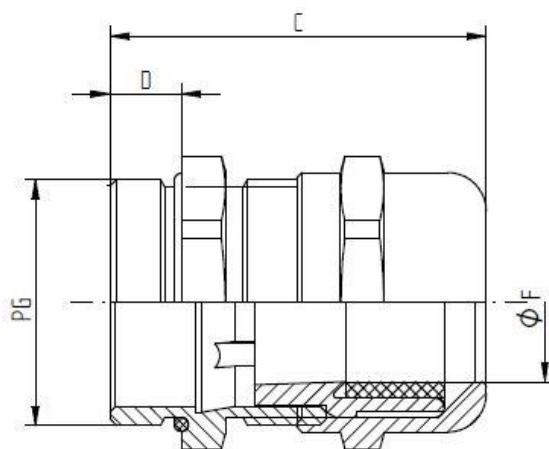
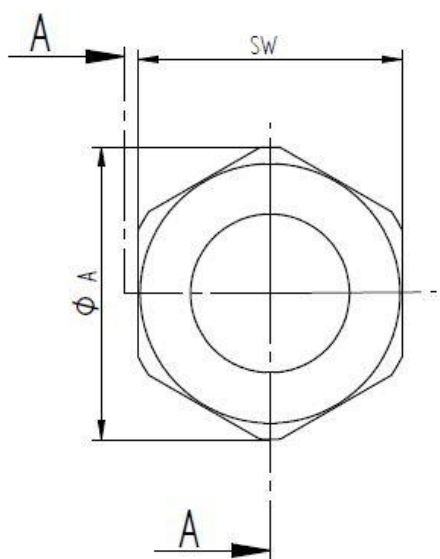
Norm references:



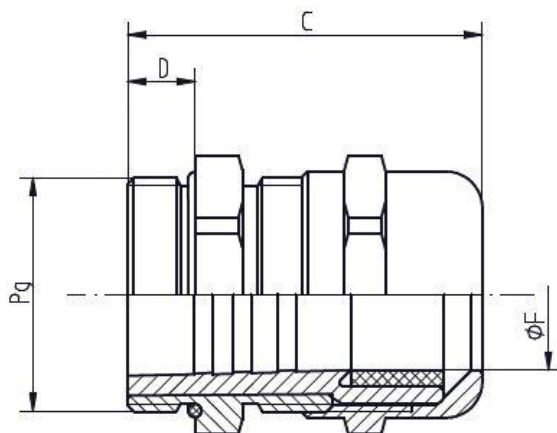
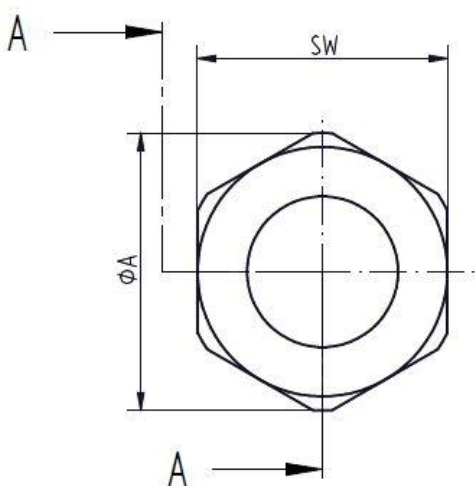
Creator: M. Wegerer /PDP Released: DAMU1/PDP	Document: DB52015700EN Version: 07	Page 1 of 3
---	---------------------------------------	-------------

52015700	DATA SHEET	
Valid from: 03.07.2018	SKINTOP® MS / MSR	


**Design SKINTOP® MS / MSR
PG7 up to PG36**



**Design SKINTOP® MS / MSR
PG42 and PG48**



Creator: M. Wegerer /PDP Released: DAMU1/PDP	Document: DB52015700EN Version: 07	Page 2 of 3
---	---------------------------------------	-------------

52015700	DATA SHEET	
Valid from: 03.07.2018	SKINTOP® MS / MSR	

SKINTOP® MS

PG	SW [mm]	Ø A [mm]	C [mm]		D [mm]	Ø F [mm] Clamping range	Article No.
			min.	max.			
PG7	14	15,5	20	25	5	2 - 6,5	52015700
PG9	17	18,9	23,5	29	6	4 - 8	52015710
PG11	20	22,2	25,5	32	6	4 - 10	52015720
PG13,5	22	24,4	26	34	6,5	5 - 12	52015730
PG16	24	26,7	27,8	35	6,5	8 - 14	52015740
PG21	30	33,5	31,5	40	7	11 - 18	52015750
PG29	40	43,5	37,2	48	8	16 - 25	52015760
PG36	50	54	49,8	62	15	19 - 32	52015765
PG42	57	61	53	62	15	28 - 38	52015766
PG48	64	69	51,8	62	15	34 - 44	52015767

SKINTOP® MSR

PG	SW [mm]	Ø A [mm]	C [mm]		D [mm]	Ø F [mm] Clamping range	Article No.
			min.	max.			
PG7	14	15,5	20	25	5	2 - 5	52015770
PG9	17	18,9	23,5	29	6	2 - 6	52015780
PG11	20	22,2	25,5	32	6	3 - 7	52015790
PG13,5	22	24,4	26	34	6,5	4 - 9	52015800
PG16	24	26,7	27,8	35	6,5	6 - 13	52015810
PG21	30	33,5	31,5	40	7	8 - 16	52015820
PG29	40	43,5	37,2	48	8	10,5 - 20	52015830
PG36	50	54	49,8	62	15	19 - 26	52015831
PG42	57	61	53	62	15	24 - 31	52015832
PG48	64	69	51,8	62	15	28 - 35	52015833

For more information please see our current catalogue. Please do not hesitate to contact our laboratory if there are any questions regarding resistance against aggressive agents and special oil.

Creator: M. Wegerer /PDP Released: DAMU1/PDP	Document: DB52015700EN Version: 07	Page 3 of 3
---	---------------------------------------	-------------



SCATTERGOOD & JOHNSON LTD

ELECTRICAL ENGINEERING & FLUID CONTROL DISTRIBUTORS

Est.1899

At Scattergood & Johnson Ltd, we pride ourselves on being a technical distributor to specialist industries.

Working with a range of quality product suppliers across a number of specialist markets, we are not your average 'box shifter' - we are your technical and supply chain partner.

We fully support every product we sell - for free! Our internal team and external sales engineers can answer any product or application question, no matter the complexity.

Backing up this technical ability is a range of 50,000+ products available from stock for nationwide next day delivery (same day if required!), or you can collect what you need from any of our trade counters around the UK.

Select your specialist interest below to learn more about how we can help.



Online, In Branch and On the Road - Scattergood & Johnson Ltd, there when you need us.

www.scatts.co.uk