

52100600	DATA SHEET	
Valid from: 03.07.2018	SKINDICHT® D-M	

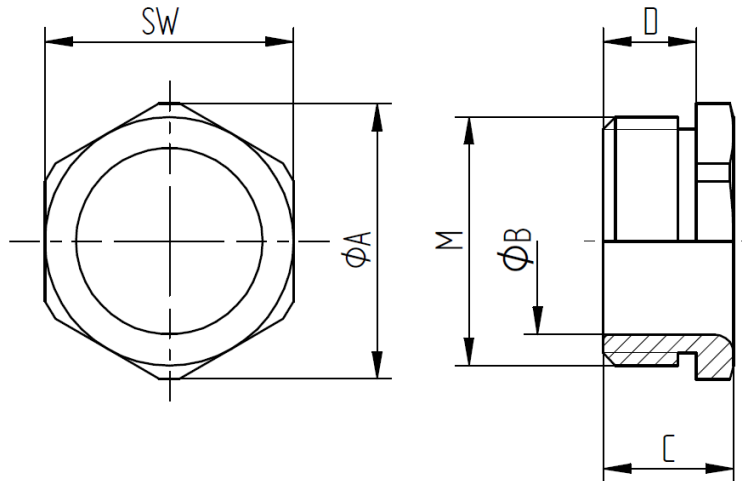
The SKINDICHT® D-M is a pressure screw with metric thread.



Technical features:

Material	Brass, nickel-plated
Connecting thread	M12x1.5 up to M63x1.5 acc. to EN 60423
Temperature range	-60°C up to +200°C

Norm references:



Thread	Wrench Size	Diameter	Diameter	Length	Thread Length	Article No.
M	SW mm	Ø A mm	Ø B mm	C mm	D mm	
M12x1,5	12	13,2	8,0	8,0	5,5	52100600
M16x1,5	16	17,6	12,0	8,5	6,0	52100601
M20x1,5	20	22,2	15,0	10,5	7,5	52100602
M25x1,5	25	27,5	20,0	11,5	8,0	52100603
M32x1,5	32	35,2	27,2	12,0	8,0	52100604
M40x1,5	40	43,5	35,2	14,0	9,5	52100605
M50x1,5	50	54,0	43,7	16,0	10	52100606
M63x1,5	65	70,9	55,9	17,5	11,5	52100607

For more information please see our current catalogue. Please do not hesitate to contact our laboratory if there are any questions regarding resistance against aggressive agents and special oil.

Creator: M. Wegerer /PDP Released: DAMU1/PDP	Document: DB52100600EN Version: 04	Page 1 of 1
---	---------------------------------------	-------------



SCATTERGOOD & JOHNSON LTD

ELECTRICAL ENGINEERING & FLUID CONTROL DISTRIBUTORS

Est.1899

At Scattergood & Johnson Ltd, we pride ourselves on being a technical distributor to specialist industries.

Working with a range of quality product suppliers across a number of specialist markets, we are not your average 'box shifter' - we are your technical and supply chain partner.

We fully support every product we sell - for free! Our internal team and external sales engineers can answer any product or application question, no matter the complexity.

Backing up this technical ability is a range of 50,000+ products available from stock for nationwide next day delivery (same day if required!), or you can collect what you need from any of our trade counters around the UK.

Select your specialist interest below to learn more about how we can help.



Online, In Branch and On the Road - Scattergood & Johnson Ltd, there when you need us.

www.scatts.co.uk