

52003490	DATA SHEET	
Valid from: 03.07.2018	SKINDICHT® SM	

The SKINDICHT® SM is a nickel-plated brass locknut with PG-thread. It is required wherever a gland must be secured or thin housing walls allow only through-holes.

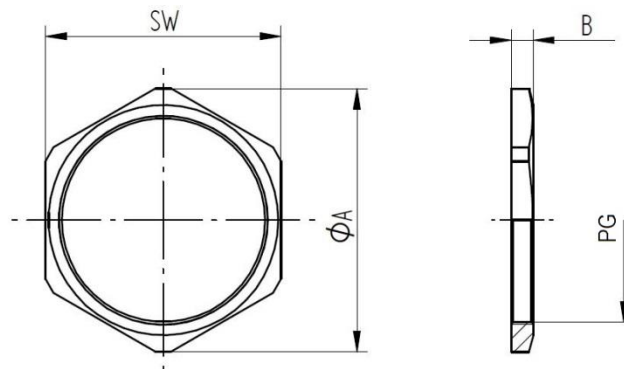


Technical features:

Size	PG7 up to PG48, thread acc. to DIN 40430
Material	Brass, nickel-plated
Temperature range	-60°C up to +200°C



Norm references:



Thread PG	Wrench Size SW mm	Diameter Ø A mm	Thickness B mm	Article No.
PG 7	15	16,6	2,8	52003490
PG 9	18	20	2,8	52003500
PG 11	21	23,5	3	52003510
PG 13,5	23	25,5	3	52003520
PG 16	26	29	3	52003530
PG 21	32	35,5	3,5	52003540
PG 29	41	45	3,5	52003550
PG 36	51	56	5	52003560
PG 42	60	65	5	52003570
PG 48	64	69	5,5	52003580

For more information please see our current catalogue. Please do not hesitate to contact our laboratory if there are any questions regarding resistance against aggressive agents and special oil.

Creator: M. Wegerer /PDP Released: DAMU1/PDP	Document: DB52003490EN Version: 04	Page 1 of 1
---	---------------------------------------	-------------



SCATTERGOOD & JOHNSON LTD

ELECTRICAL ENGINEERING & FLUID CONTROL DISTRIBUTORS

Est.1899

At Scattergood & Johnson Ltd, we pride ourselves on being a technical distributor to specialist industries.

Working with a range of quality product suppliers across a number of specialist markets, we are not your average 'box shifter' - we are your technical and supply chain partner.

We fully support every product we sell - for free! Our internal team and external sales engineers can answer any product or application question, no matter the complexity.

Backing up this technical ability is a range of 50,000+ products available from stock for nationwide next day delivery (same day if required!), or you can collect what you need from any of our trade counters around the UK.

Select your specialist interest below to learn more about how we can help.



Online, In Branch and On the Road - Scattergood & Johnson Ltd, there when you need us.

www.scatts.co.uk