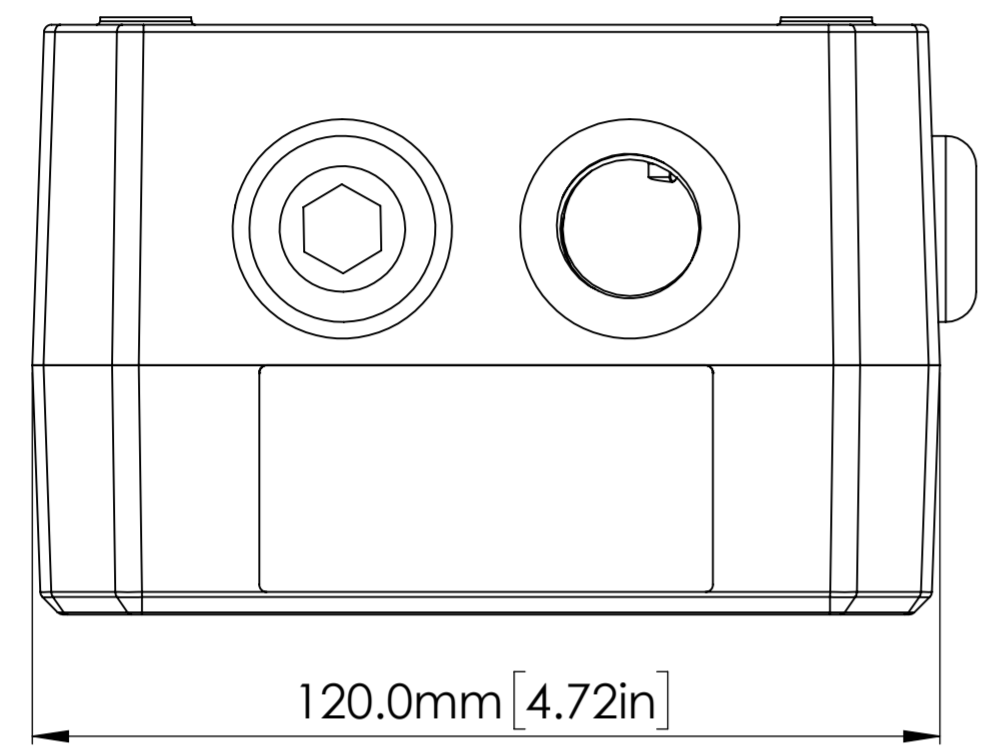
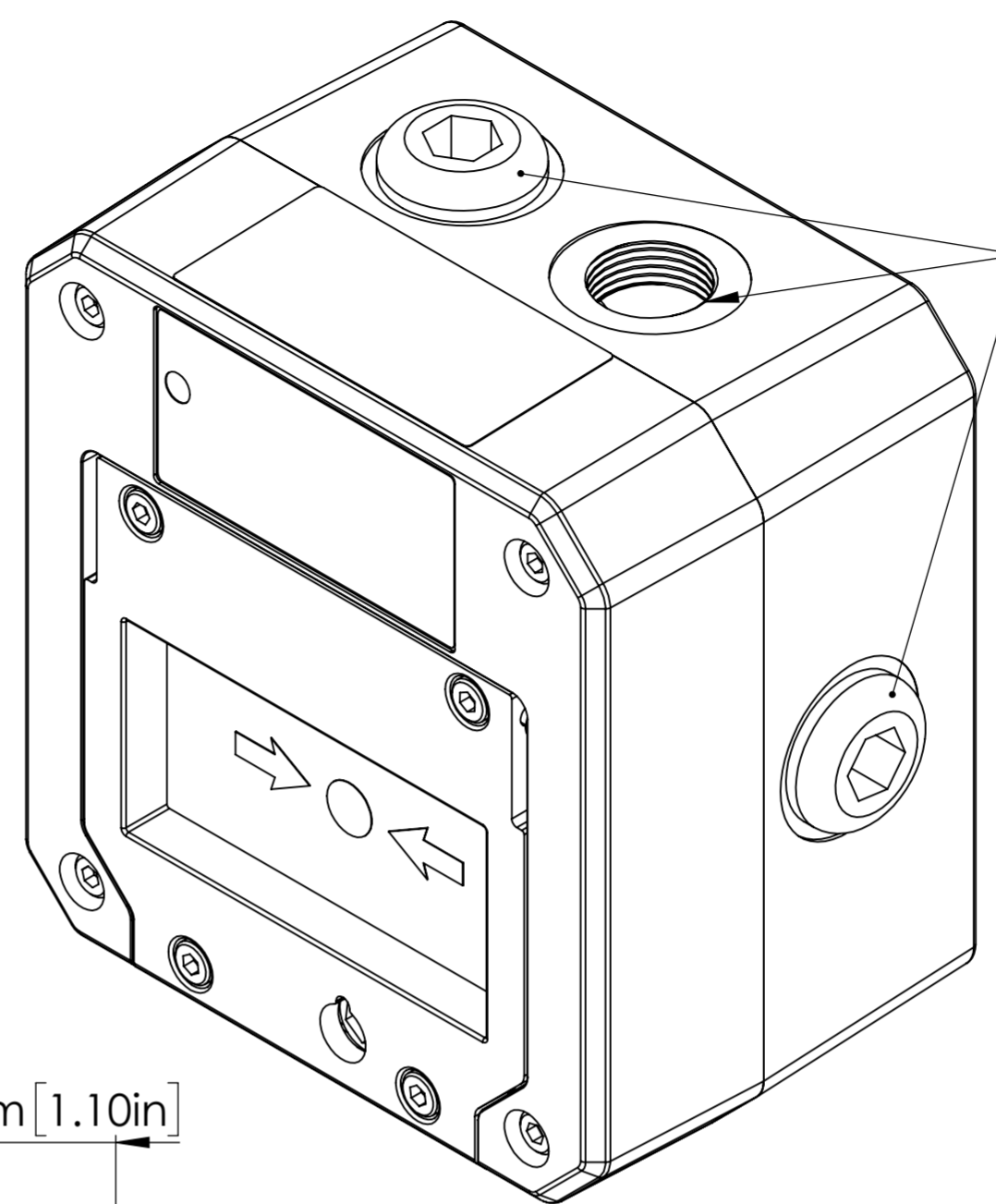


E2S PART NO.	DESCRIPTION	DATA REFERENCE
GNExCP6A-BG GNExCP6B-BG GNExCP6C-BG GNExCP6D-BG	GNExCP6-BG BREAK GLASS MANUAL CALL POINT	1.24.010

ISSUE	MOD No.	REASON - INITIAL - DATE
1		INTRODUCTION DAH - 03-02-2020
2		SHEET 2 LIFT FLAP OPTIOPN ADDED RSR - 17-12-2020



120.0mm [4.72in]



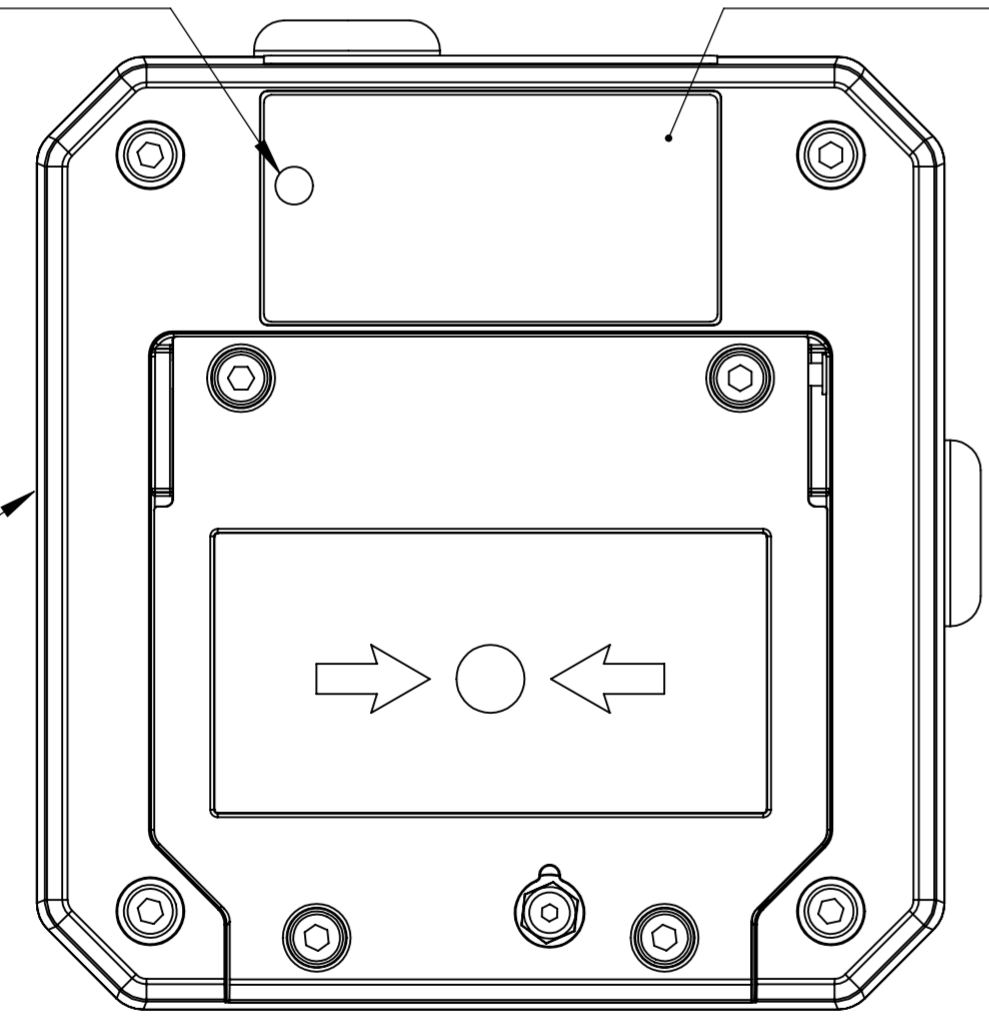
ISOMETRIC VIEW

M20 x 1.5 IN 3 POSITIONS

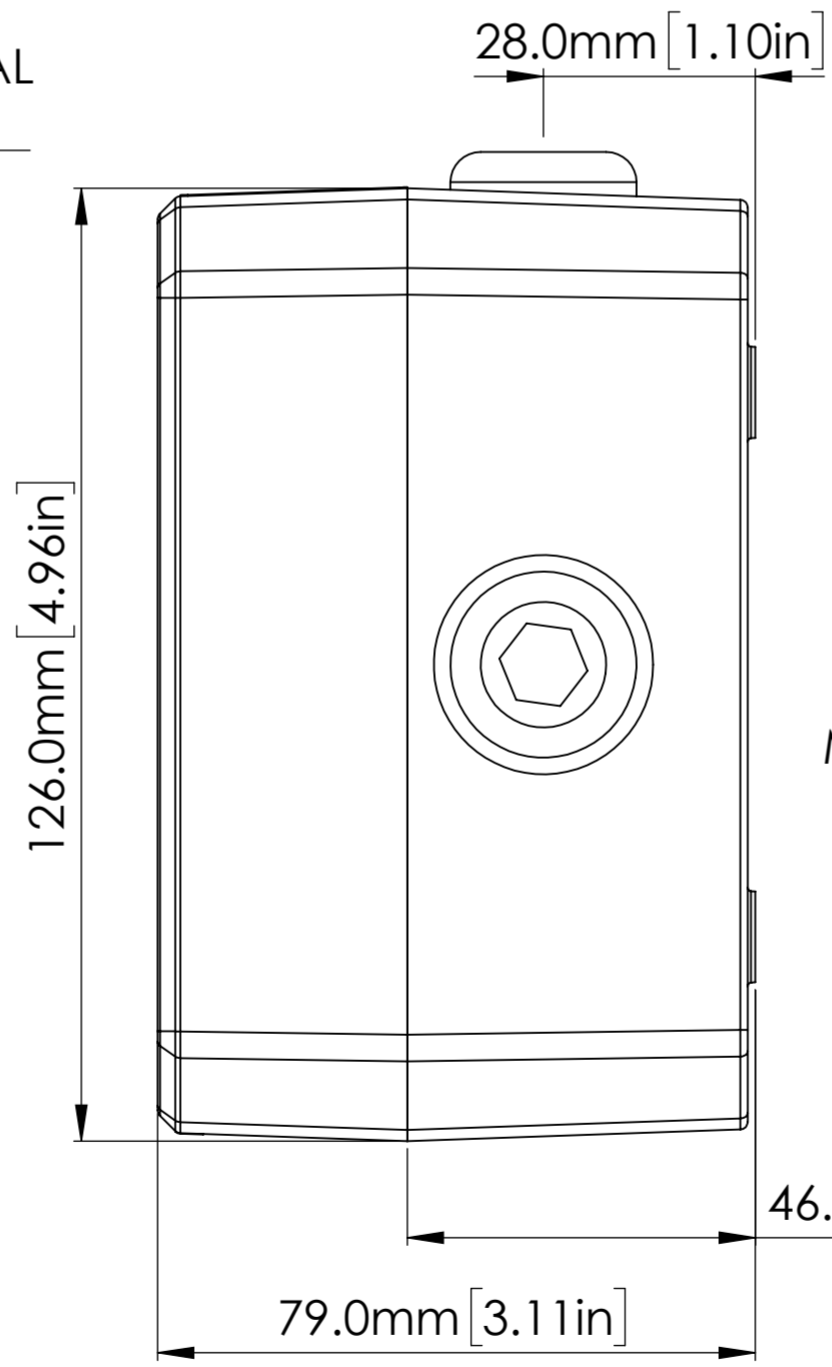
NB: M20 X 1.5 Ex e APPROVED
CABLE GLANDS OR STOPPING PLUGS
TO BE USED ONLY

POSITION OF
OPTIONAL L.E.D

POSITION OF OPTIONAL
DUTY LABEL



POSITION OF
OPTIONAL
TAG PLATE



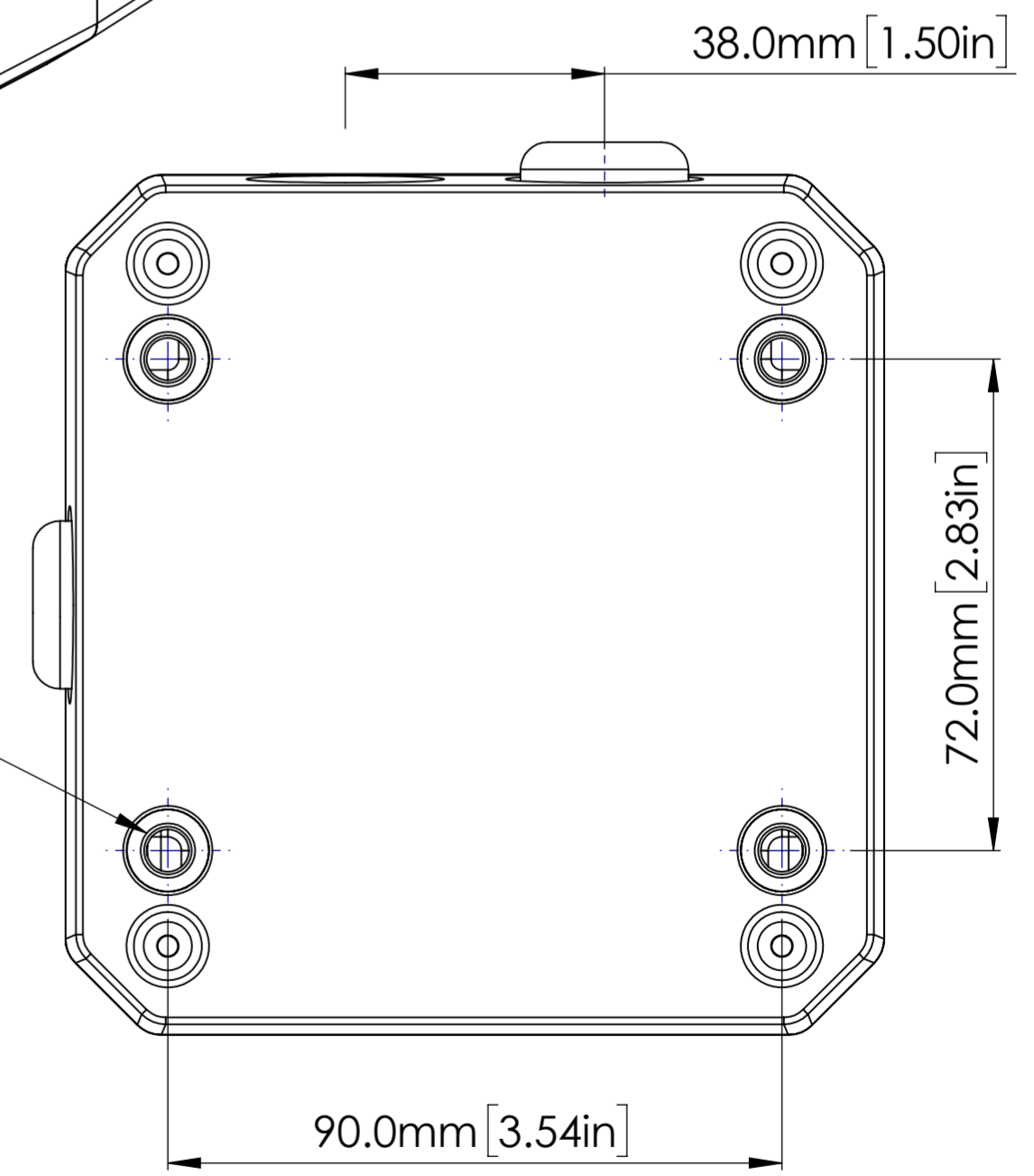
126.0mm [4.96in]

28.0mm [1.10in]

46.0mm [1.81in]

79.0mm [3.11in]

Ø6.2mm [0.24in]
MOUNTING HOLES
4 OFF



38.0mm [1.50in]

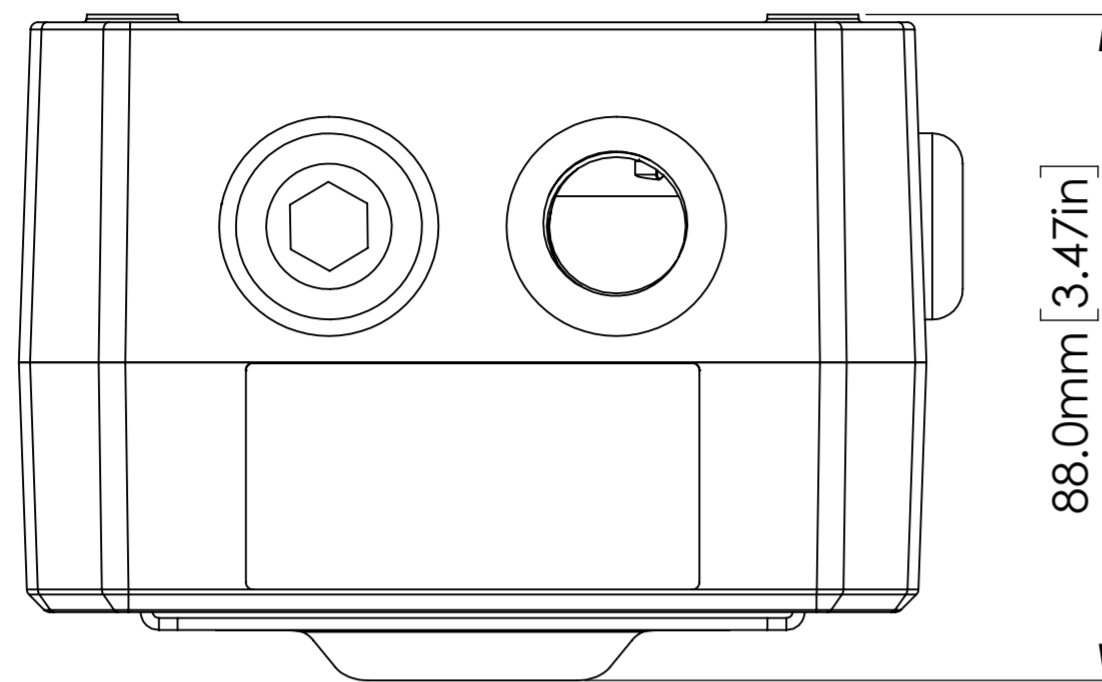
72.0mm [2.83in]

90.0mm [3.54in]

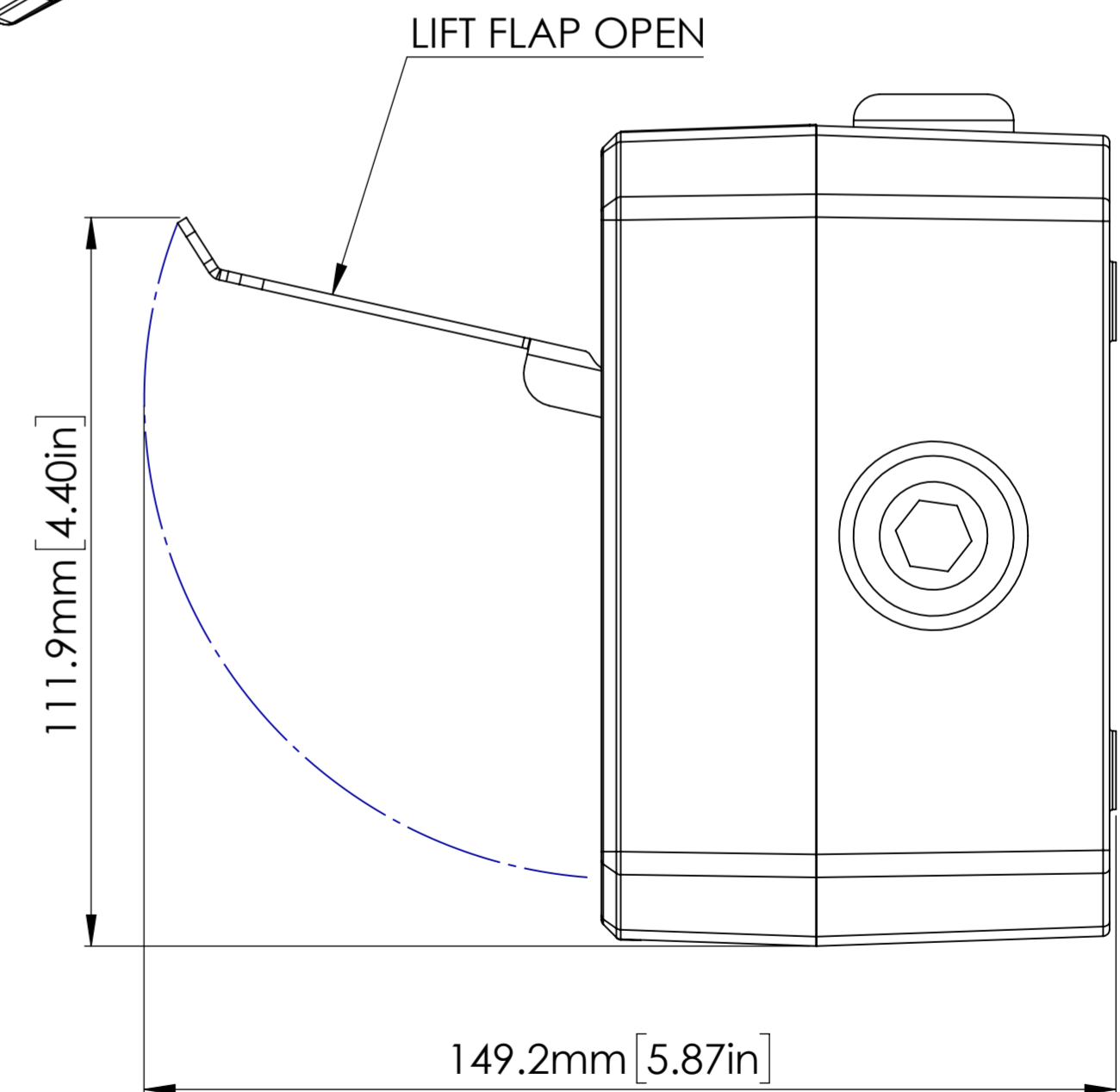
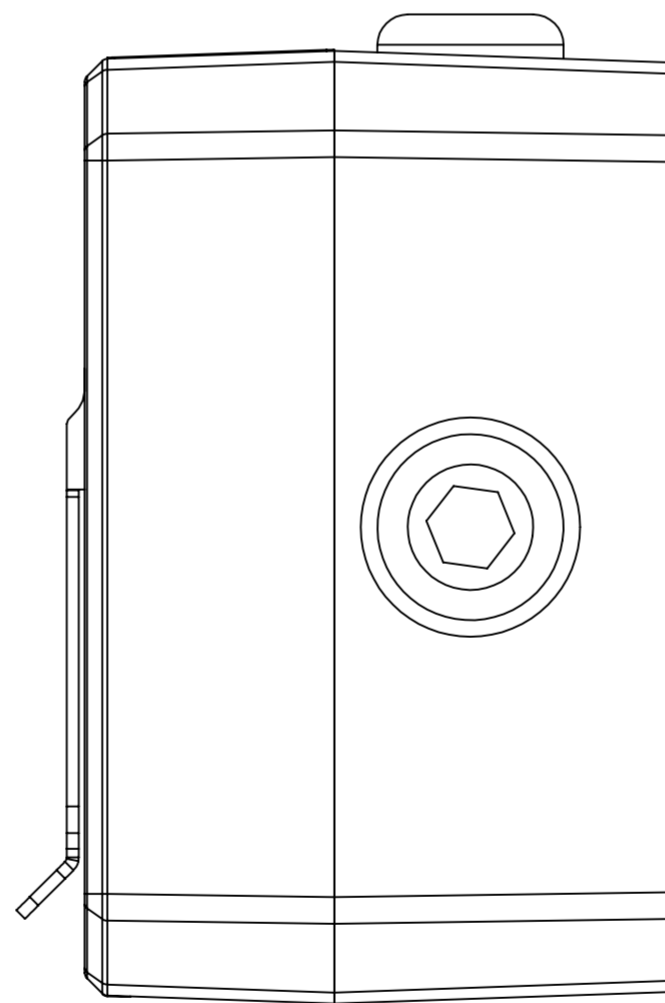
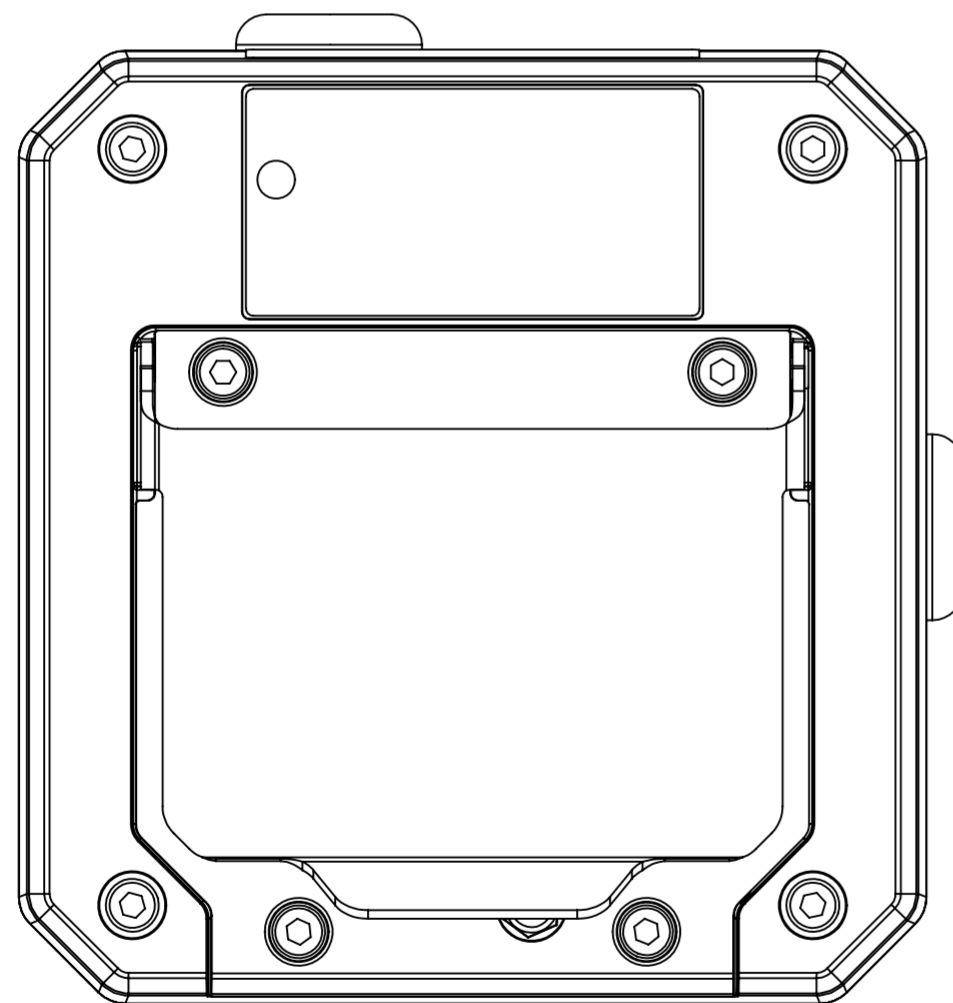
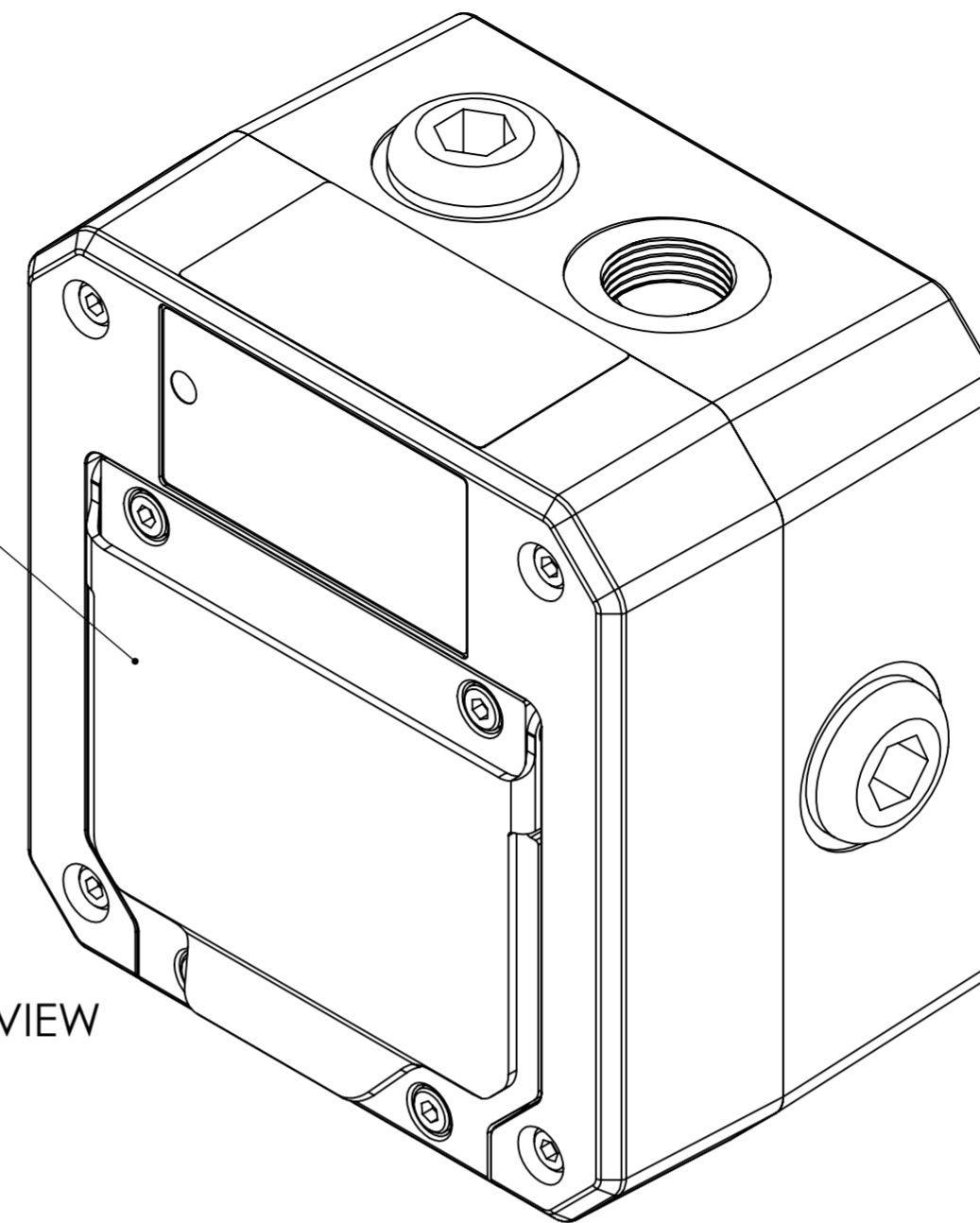
DRAWING TO BS8888:2000 GEOMETRIC TOLERANCES TO ISO1101:1983 LINEAR DIMENSIONAL TOLS ANGULAR DIMENSIONAL TOLS	DRAWN	DATE	SURFACE FINISH POWDER COAT	WEIGHT (kg)	THIS DRAWING AND ANY INFORMATION OR DESCRIPTIVE MATTER THEREIN IS COMMUNICATED IN CONFIDENCE AND IS THE COPYRIGHT PROPERTY OF EUROPEAN SAFETY SYSTEMS LTD. NEITHER THE WHOLE OR ANY EXTRACT MAY BE DISCLOSED, LOANED, COPIED OR USED FOR MANUFACTURING OR TENDERING PURPOSES WITHOUT THEIR WRITTEN CONSENT.	 EUROPEAN SAFETY SYSTEMS LTD IMPRESS HOUSE MANSELL ROAD ACTON LONDON W3 7QH WWW.E2S.COM	ALL DIMENSIONS IN MM IF IN DOUBT, ASK - DO NOT SCALE		 A2
	CHECKED	DATE					MATERIAL	TITLE GNExCP6-BG MANUAL CALL POINT BREAK GLASS OUTLINE DRAWING	
STANDARDS GNExCP6-BG	APPROVED	DATE	ALTERNATIVE MATERIAL	EUROPEAN SAFETY SYSTEMS LTD. AS PER LATEST DATE OF ISSUE SHOWN ABOVE		SCALE 1:1	SHEET 1 OF 1	DRAWING NUMBER D154-05-001	

E2S PART NO.	DESCRIPTION	DATA REFERENCE
GNECP6A-BG GNECP6B-BG GNECP6C-BG GNECP6D-BG	GNECP6-BG BREAK GLASS MANUAL CALL POINT	1.24.010

ISSUE	MOD No.	REASON - INITIAL - DATE
1		INTRODUCTION DAH - 03-02-2020
2		SHEET 2 LIFT FLAP OPTION ADDED RSR - 17-12-2020



OPTIONAL
LIFT FLAP



DRAWING TO BS8888:2000 GEOMETRIC TOLERANCES TO ISO1101:1983 LINEAR DIMENSIONAL TOLS ANGULAR DIMENSIONAL TOLS STANDARDS GNECP6-BG	DRAWN D.HOWGILL CHECKED R.N.POTTS APPROVED R.N.POTTS	DATE 03-02-20 DATE 03-02-20 DATE 03-02-20	SURFACE FINISH POWDER COAT MATERIAL ALTERNATIVE MATERIAL	WEIGHT (kg)	THIS DRAWING AND ANY INFORMATION OR DESCRIPTIVE MATTER THEREIN IS COMMUNICATED IN CONFIDENCE AND IS THE COPYRIGHT PROPERTY OF EUROPEAN SAFETY SYSTEMS LTD. NEITHER THE WHOLE OR ANY EXTRACT MAY BE DISCLOSED, LOANED, COPIED OR USED FOR MANUFACTURING OR TENDERING PURPOSES WITHOUT THEIR WRITTEN CONSENT. EUROPEAN SAFETY SYSTEMS LTD. AS PER LATEST DATE OF ISSUE SHOWN ABOVE	EUROPEAN SAFETY SYSTEMS LTD IMPRESS HOUSE MANSELL ROAD ACTON LONDON W3 7QH WWW.E2S.COM	ALL DIMENSIONS IN MM IF IN DOUBT, ASK - DO NOT SCALE TITLE GNECP6-BG MANUAL CALL POINT BREAK GLASS OUTLINE DRAWING	A2	SCALE 1:1	SHEET 1 OF 1	DRAWING NUMBER D154-05-001
--	---	--	--	-------------	--	---	---	----	--------------	-----------------	-------------------------------



SCATTERGOOD & JOHNSON LTD

ELECTRICAL ENGINEERING & FLUID CONTROL DISTRIBUTORS

Est.1899

At Scattergood & Johnson Ltd, we pride ourselves on being a technical distributor to specialist industries.

Working with a range of quality product suppliers across a number of specialist markets, we are not your average 'box shifter' - we are your technical and supply chain partner.

We fully support every product we sell - for free! Our internal team and external sales engineers can answer any product or application question, no matter the complexity.

Backing up this technical ability is a range of 50,000+ products available from stock for nationwide next day delivery (same day if required!), or you can collect what you need from any of our trade counters around the UK.

Select your specialist interest below to learn more about how we can help.



Online, In Branch and On the Road - Scattergood & Johnson Ltd, there when you need us.

www.scatts.co.uk