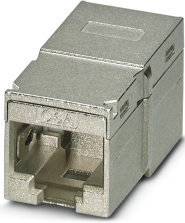


RJ45 coupling - CUC-I-D1ZNI-S/R4GC8 - 1041760

Please be informed that the data shown in this PDF Document is generated from our Online Catalog. Please find the complete data in the user's documentation. Our General Terms of Use for Downloads are valid (<http://phoenixcontact.com/download>)



RJ45 coupling, degree of protection: IP20, number of positions: 8, 10 Gbps, CAT6_A, material: Zinc die-cast, connection method: 2x RJ45, Adapter-free design

Your advantages

- Assembly without special tools
- Compact design
- Rugged design
- 10 Gbps
- CAT6A in accordance with ISO/IEC 11801
- 360° shielding
- Adapter-less integration of module inserts



Key Commercial Data

Packing unit	1 pc
GTIN	 4 055626 599915
GTIN	4055626599915
Weight per Piece (excluding packing)	14.300 g
Custom tariff number	85366990
Country of origin	Poland
Sales Key	ABNAAF

Technical data

Mechanical characteristics

Connection method	2x RJ45
Number of slots	2
Weight	14.3 g
Flammability rating according to UL 94	V0

Ambient conditions

RJ45 coupling - CUC-I-D1ZNI-S/R4GC8 - 1041760

Technical data

Ambient conditions

Ambient temperature (operation)	-25 °C ... 70 °C
Ambient temperature (storage/transport)	60 °C
Humidity maximum	96 %
Degree of protection	IP20

Material data

Contact surface material	Gold over nickel
Contact material	Spring steel
Housing material	Zinc die-cast
Housing surface material	metal-plated
Mounting type	Snap in

Electrical characteristics

Number of positions	8
GRP transmission properties	CAT6 _A In accordance with ISO/IEC 11801
Transmission speed	10 Gbps
Frequency range	500 MHz
Rated current	1 A (at 60 °C)
Dielectric strength	> 1000 V DC
Contact resistance	200 mΩ (Trunk in to trunk out)
Rated voltage (III/3)	72 V (DC)
Insertion/withdrawal cycles	≥ 750 (IEC 60603-7)

Standards and Regulations

Standards/specifications	IEC 60603-7 DIN EN 50173-1 ISO/IEC 11801-Am.1 IEC 60068-2
--------------------------	---

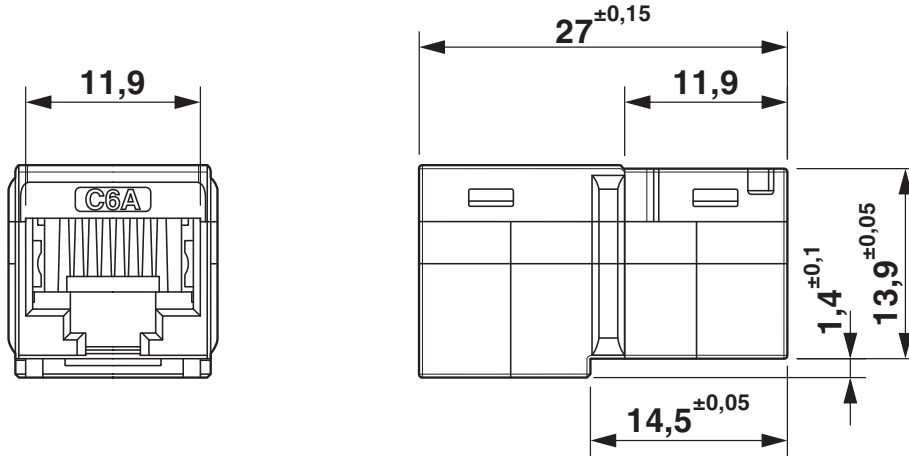
Environmental Product Compliance

China RoHS	Environmentally friendly use period: unlimited = EFUP-e
	No hazardous substances above threshold values

Drawings

RJ45 coupling - CUC-I-D1ZNI-S/R4GC8 - 1041760

Dimensional drawing



Approvals

Approvals

Approvals

EAC / UL Recognized / cUL Recognized / cULus Recognized

Ex Approvals

Approval details

EAC		B.01687
-----	--	---------

UL Recognized		http://database.ul.com/cgi-bin/XYV/template/LISEXT/1FRAME/index.htm	FILE E 335024
---------------	--	---	---------------

cUL Recognized		http://database.ul.com/cgi-bin/XYV/template/LISEXT/1FRAME/index.htm	FILE E 335024
----------------	--	---	---------------

cULus Recognized			
------------------	--	--	--

<https://www.phoenixcontact.com/gb/products/1041760>



Phoenix Contact 2021 © - all rights reserved
<http://www.phoenixcontact.com>



SCATTERGOOD & JOHNSON LTD

ELECTRICAL ENGINEERING & FLUID CONTROL DISTRIBUTORS

Est.1899

At Scattergood & Johnson Ltd, we pride ourselves on being a technical distributor to specialist industries.

Working with a range of quality product suppliers across a number of specialist markets, we are not your average 'box shifter' - we are your technical and supply chain partner.

We fully support every product we sell - for free! Our internal team and external sales engineers can answer any product or application question, no matter the complexity.

Backing up this technical ability is a range of 50,000+ products available from stock for nationwide next day delivery (same day if required!), or you can collect what you need from any of our trade counters around the UK.

Select your specialist interest below to learn more about how we can help.



Online, In Branch and On the Road - Scattergood & Johnson Ltd, there when you need us.

www.scatts.co.uk