

# Pressure

## Electronic Dual Pressure Switch

**BPS3000**

### Features

- ▶ Measuring range: gauge: 0 - 9000 psig, absolute: 0 - 150 psia
- ▶ One or two switch points
- ▶ Analog output 4 - 20 mA or 0 - 10 V
- ▶ Enclosure Rating: Type 4X (IP65) / Type 6 (IP67)
- ▶ Superior EMI protection
- ▶ Simple navigation menu
- ▶ Suitable for rapid cycling applications
- ▶ Display & electronic connection: rotatable by 320°
- ▶ IO-Link communication interface
- ▶ 0.50% accuracy

### Applications

- ▶ Machine tool industry
- ▶ Factory Automation
- ▶ Injection molding machines
- ▶ Lubrication monitoring
- ▶ Pumps and compressors
- ▶ Hydraulic and pneumatic applications



### General Specifications\*\*

<b>Sensor element:</b>	Ceramic sensor (standard) Optional: piezoresistive sensor (For proper sensor selection see product configurator for more details.)	<b>Analog output:</b>	Current output: 4-20 mA Scanning rate: 2 ms Voltage output: 0 to 10 V DC Rating: max. 10 mA Adjustment range: 25% to 100% f. s.	
<b>Materials:</b> Wetted parts:	304 Stainless steel; brass (if surge dampener is required)	<b>Transistor switching outputs:</b>		
Enclosure:	304 Stainless steel, PBT	Switching function	Normally open / normally closed, standard /window mode and diagnosis function adjustable	
Seals:	FKM fluoroelastomer (standard) EPDM (optional)	Switching output:	PNP / NPN (field-selectable on IO-Link units)	
<b>Operating elements:</b>	3 easy-response push-buttons	Adjustment range for switching point and hysteresis:	0% to 125% f. s.	
<b>Enclosure rating:</b>	Type 4X (IP65) / Type 6 (IP67)	Switching frequency:	Max. 100 Hz	
<b>Protection class:</b>	III	Load:	Max. 500mA, short-circuit-proof IO-Link: Max. 250mA	
<b>Electrical connection:</b>	Plug M12 x 1, 4-pin / 5-pin / 8-pin (see product configurator)	Delay:	0.0 s to 50.0 s adjustable	
<b>Process connection:</b>	1/4" NPT, 1/2" NPT flush diaphragm, 7/16-20 (SAE), 7/16-20 (JIC 37°), G1/4" M, G1/2" flush diaphragm (only piezoresistive)	Status display(s):	LED(s) red	
<b>Dimensions:</b>	1.6 Ø x 4.4 inches (without plug connector)	<b>IO-Link Communication Interface</b>		
<b>Weight:</b>	Approx. 0.4 lb (200 g)	Transmission type:	COM2 (38.4 kBaud)	
<b>Proof pressure:</b>	1.5X rated pressure	IO-Link revision:	1.1	
<b>A/D-Converter:</b>		SDCI standard:	IEC 61131-9	
Resolution:	12 bit (4,096 steps per measure span)	Profiles:	Smart Sensor, Process Data Variable, Device Identification, Device Diagnosis	
Scanning rate:	1000/s	SIO modules:	Yes	
<b>Linearity error:</b>	< ±0.5 % f. s. at +25 °C	Required master port type:	A	
<b>Temperature influence:</b>	TC zero < ±0.2 % FSO / 10K TC span < ±0.3 % FSO / 10K	SIO output:	1 analog / 2 binary (switch points) [see product configurator]	
<b>Compensation range:</b>	14°F to 158°F (-10°C to +70°C)	Min. process cycle time [ms]:	2.5	
<b>Repeatability:</b>	±0.1% f. s.	Device ID:	0x011...	
<b>Temperature range:</b>		<b>Approvals<sup>1</sup>:</b>	cULus <sup>1</sup> E42816, BV-50018/A0 <sup>2</sup>	
Media:	-13°F to 212°F (-25°C to +100°C)	<b>EMI</b>	EN 61000-4-2 ESD	4 kV CD / 8 kV AD
Electronics <sup>1</sup> :	14°F to 158°F (-10°C to +70°C)		EN 61000-4-3 HF radiated	10 V/m
Storage:	-22°F to 176°F (-30°C to +80°C)		EN 61000-4-4 Burst	2 kV
<b>Power supply<sup>1</sup>:</b>	15 to 32 V DC, reversed polarity protected (SELV, PELV), Class 2		EN 61000-4-5-Surge	1/2 kV
<b>Power consumption:</b>	Approx. 50 mA (without load) Approx. 80 mA (Output Code 6)		EN 61000-4-6 HF conducted	10 V
<b>Digital display:</b>	4-digit 14-segment LED red display, digit height .35 inches (9 mm)		Shock resistance	DIN EN 60028-2-27
Display rate:	20/s	Vibration resistance	DIN EN 60028-2-26	20 g (10 to 2000 Hz)
<b>Error display:</b>	LED RED and alphanumeric display			

\*\* See product configurator for additional options.

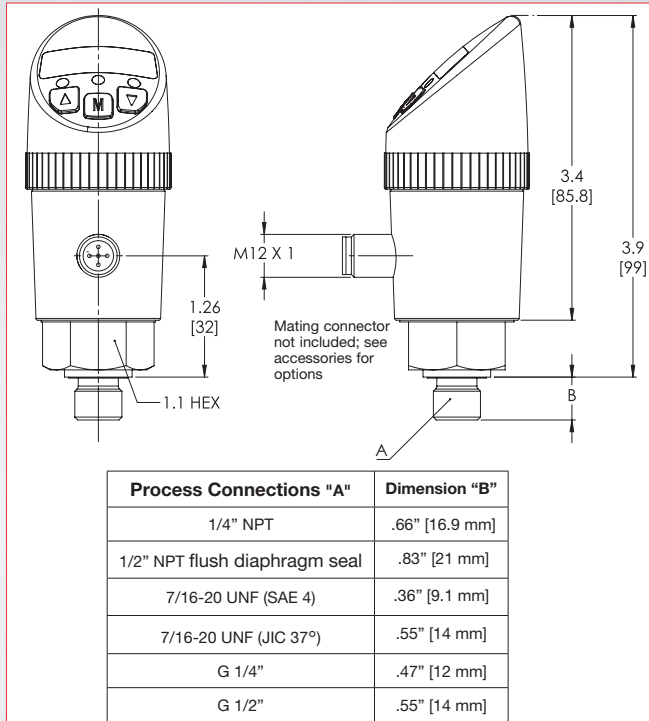
<sup>1</sup> Condition of use with cULus: 140°F max. ambient; power supply: max. 28 V DC  
<sup>2</sup> BV approval only with output code 1-5; for more details please see BV certification.

**Barksdale®**

# Electronic Dual Pressure Switch

**BPS3000**

## Technical Drawings



## Electrical Connection Chart

Pin	Signal Output Code 1 & 7	Signal Output Code 2 & 3	Signal Output Code 4 & 5 & 8	Signal Output Code 6
1	+Ub	+Ub	+Ub	+Ub
2	SP2	Signal	Signal	SP1a
3	0V	0V	0V	SP1b
4	SP1/ IO-Link *	SP1	SP1/ IO-Link *	0V
5	-	-	SP2	SP2a
6	-	-	-	SP2b
7	-	-	-	-
8	-	-	-	Housing

\* IO-LINK ONLY FOR SIGNAL OUTPUT C.CODES 7 & 8



Dimensions in inches [mm]

## Product Configurator

Example **BPS3 8 N V M 9000P P**

Series:

**BPS3** Series BPS3000, electronic dual pressure switch

\* Highlighted options represent those most frequently used. Select these common options for improved availability. (5/21)

Sensor:

**Blank** Standard ceramic sensor  
**P** Piezoresistive sensor

Output:

1	Dual switch point
2	Single switch point plus 4-20mA (0-10V field selectable)
3	Single switch point plus 0-10V (4-20mA field selectable)
4	Dual switch point plus 4-20mA (0-10V field selectable)
5	Dual switch plus 0-10V (4-20mA field selectable)
6	Dual switch points (1 x NO SPST / 1 x NC SPST), requires piezo. sensor, not UL approved
7	IO-Link / Dual switch point
8	IO-Link / Dual switch point plus 4-20mA (0-10V field selectable)

Electrical Connection:

**M<sup>2</sup>** M12

Pressure Ranges<sup>3</sup>

0015PA <sup>4, 5, 7</sup>	0 - 15 psia (absolute)
0075PA <sup>4, 5, 7</sup>	0 - 75 psia (absolute)
0150PA <sup>4, 5, 7</sup>	0 - 150 psia (absolute)
0003P <sup>4, 5, 7</sup>	0 - 3 psig
0015P <sup>4, 5, 7</sup>	0 - 15 psig
0050P <sup>4, 5, 7</sup>	0 - 50 psig
0075P <sup>4, 5, 7</sup>	0 - 75 psig
<b>0150P<sup>8</sup></b>	0 - 150 psig
0750P <sup>8</sup>	0 - 750 psig
1500P <sup>8</sup>	0 - 1500 psig
3000P <sup>8</sup>	0 - 3000 psig
<b>6000P<sup>8</sup></b>	0 - 6000 psig
9000P <sup>4, 8</sup>	0 - 9000 psig

Process Connections\*:

<b>N</b>	1/4" NPT male thread
3 <sup>1</sup>	1/2" NPT flush diaphragm seal
E	7/16-20 UNF (SAE 4)
P	7/16-20 UNF male thread (JIC 37°)
<b>G</b>	G1/4" male thread
2 <sup>1</sup>	G1/2" flush diaphragm seal

\*Contact factory for a 40x40 Cetop/Manifold or G1/2 with Large Bore Diameter connection.

Sealing:

**V** FKM fluoroelastomer (standard)  
**E** EPDM (EPR) (optional)

## Accessories

Order Number	Description
239535-1M-R-S <sup>6</sup>	4 Pin M12 Female Right Angle Plug Molded Cable, 3.28 Feet (1 Meter), Shielded
239535-1M-S <sup>6</sup>	4 Pin M12 Female Straight Plug Molded Cable, 3.28 Feet (1 Meter), Shielded
239537	4 Pin M12 Female Straight Connector
239236	4 Pin M12 Female Right Angle Connector
239546-1M-R-S <sup>6</sup>	5 Pin M12 Female Right Angle Plug Molded Cable, 3.28 Feet (1 Meter), Shielded
239546-1M-S <sup>6</sup>	5 Pin M12, Female Straight Plug Molded Cable, 3.28 Feet (1 Meter), Shielded
239548-S	5 Pin M12 Female Straight Connector
239548-R	5 Pin M12 Female Right Angle Connector

Note:

- Only available from (0-150 psig) range up to (0-9000 psig) range. Piezoresistive sensor only.
- Mating connector not included with unit; mating connectors are available and can be ordered as an accessory.
- Contact factory for ranges not listed including BAR.
- Pressure range requires piezoresistive sensor.
- Units are rated at IP65 only.
- See Cable Connectors & Accessories for more options.
- Not available with process connections 3 & 2
- Includes .2 mm Ø removable brass orifice

3211 Fruitland Avenue • Los Angeles, CA 90058 • ☎ 800-835-1060 • Fax: 323-589-3463 • www.barksdale.com

**Barksdale**  
CONTROL PRODUCTS

See Barksdale's Standard Conditions of Sale • Specifications are subject to modification at any time • Bulletin #S0117-I • 05/20 • ©2020 • Printed in the U.S.A.



**SCATTERGOOD  
& JOHNSON LTD**  
ELECTRICAL ENGINEERING & FLUID CONTROL DISTRIBUTORS

Est.1899

At Scattergood & Johnson Ltd, we pride ourselves on being a technical distributor to specialist industries.

Working with a range of quality product manufacturers across a number of specialist markets, we are not your average 'box shifter' - we are your technical and supply chain partner.

We fully support every product we sell - for free! Our internal team and external sales engineers can answer any product or application question, no matter the complexity.

Backing up this technical ability is a range of 50,000+ products available from stock for nationwide next day delivery (same day if required!), or you can collect what you need from any of our trade counters around the UK.

Select your specialist interest below to learn more about how we can help.



Online, In Branch and On the Road - Scattergood & Johnson Ltd, there when you need us.

**[www.scatts.co.uk](http://www.scatts.co.uk)**