

JSmart707 NFC - Tech-Note

Field-ready HMI 7" TFT, PCAP touchscreen, Ethernet port PoE

- 7" TFT color display, resolution 1024x600 pixel, 16M colors, dimmable backlight
- PCAP Touchscreen Multitouch
- 10/100 Ethernet port PoE
- Wi-Fi Connection
- NFC
- ARM Cortex-A9 dual core CPU
- Full IP protection; ideal for mounting-arm installation
- Includes environment and motion sensors



Highlights

JSmart707 is the ideal product for field installation in critical areas. High-resolution 7" display with multitouch PCAP touchscreen with a robust glass front; touchscreen/display bonding for fidget optical performance.

Power-over-Ethernet (PoE) for maximum simplicity of connection using standard CAT5 wiring.

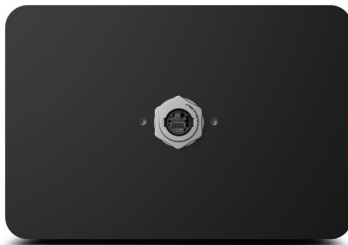
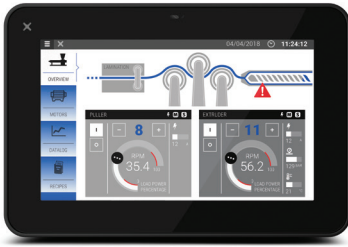
The availability of a Wi-Fi interface enhances the device integration, while the NFC broadens the device applications.

Full IP protection with the use of dedicated connectors for the maximum flexibility of installation, from mounting arm to a simple M22 hole. The product includes a full set of environment and motion sensors to make this device a true IIoT edge device for Industry 4.0 applications.

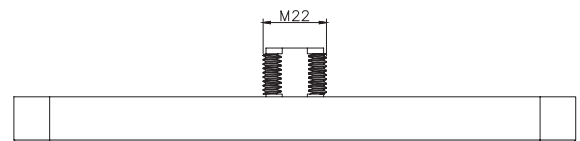
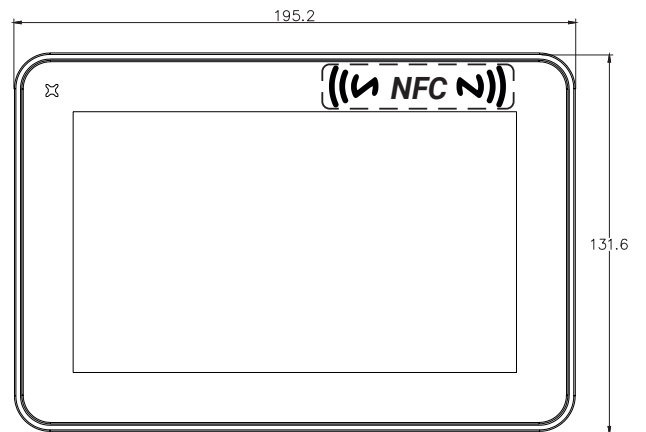
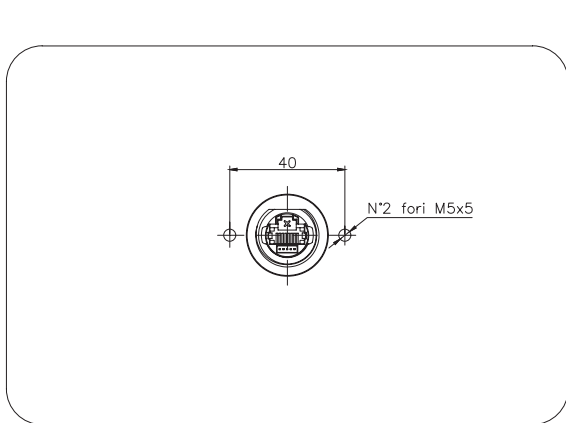
The JSmart product family has been optimized for use as an embedded browser or as a JMobile HMI device.

- Performing HTML5-compatible browser with graphic accelerator
- JMobile runtime with OPC UA Server and Client
- Optional CODESYS V3 PLC for integrated HMI and control applications
- Open platform for Linux applications
- Built-in sensors (temperature and acceleration)

JSmart707 NFC - Technical Data



System Resources	
Display - Colors	7" TFT – 16M
Resolution	1024x600
Brightness	400 cd/m ² typ.
Dimming	to 0%
Touchscreen	Projected Capacitive – Multitouch
CPU	ARM Cortex-A9 dual core - 800 MHz
Operating system	Linux RT
Flash	4 GB
RAM	1 GB
FRAM	64 KB
Real Time Clock, RTC Back-up	Yes
Interface	
Ethernet port	10/100 PoE
USB port	1 (Host V2.0, max. 50 mA, available with special cable)
LED	1 RGB
Sensors	Temperature, 3-Axis Accelerometer
Wi-Fi	IEEE 802.11a/b/g
NFC	ISO/IEC 14443A
Buzzer	Yes
Ratings	
Power supply	IEEE 802.3af PoE
Power Consumption	9 W
Battery	Yes (rechargeable)
Environment Conditions	
Operating Temp	-20° to +55° C (vertical installation)
Storage Temp	-30°C to +80°C
Operating / Storage Humidity	5-85% RH, non-condensing
Protection Class	IP67 (requires appropriate accessories and cables) Type: 1, 12, 4x
Dimensions and Weights	
Faceplate LxH	195.2x131.6mm (7.68x5.18")
Depth D+T+T	16.5mm (0.06")
Weight	0.7Kg
Approvals	
CE	Approvals for installation in industrial environments: EN 62311 EN 61010-1 EN IEC 61010-2-201 EN 61000-6-2 EN 61000-6-4 ETSI EN 300 330 ETSI EN 301 489-1 ETSI EN 301 489-3 ETSI EN 301 489-17 ETSI EN 300 328



Ordering Information

Model	Part Number	Description
JSmart707 NFC	+JS707BB2U5P1	Field-ready HMI 7" TFT with PCAP touchscreen, Ethernet port PoE



**SCATTERGOOD
& JOHNSON LTD**
ELECTRICAL ENGINEERING & FLUID CONTROL DISTRIBUTORS

Est.1899

At Scattergood & Johnson Ltd, we pride ourselves on being a technical distributor to specialist industries.

Working with a range of quality product manufacturers across a number of specialist markets, we are not your average 'box shifter' - we are your technical and supply chain partner.

We fully support every product we sell - for free! Our internal team and external sales engineers can answer any product or application question, no matter the complexity.

Backing up this technical ability is a range of 50,000+ products available from stock for nationwide next day delivery (same day if required!), or you can collect what you need from any of our trade counters around the UK.

Select your specialist interest below to learn more about how we can help.



Online, In Branch and On the Road - Scattergood & Johnson Ltd, there when you need us.

www.scatts.co.uk