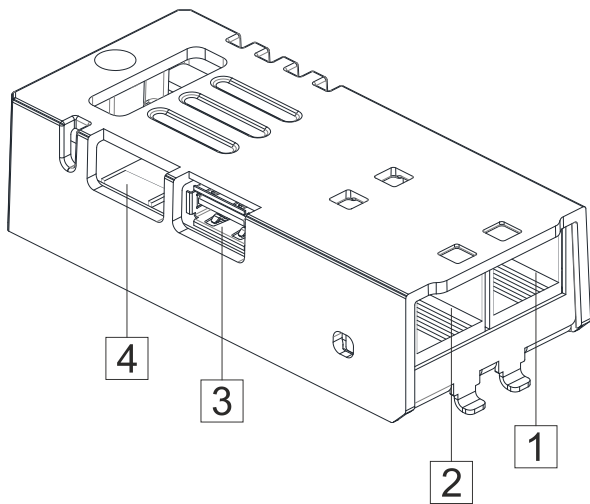
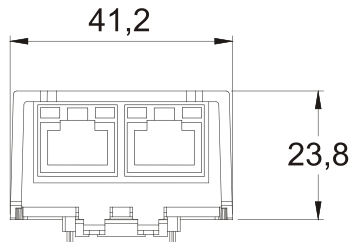


PLCM07

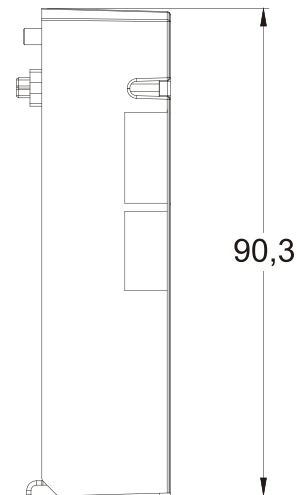
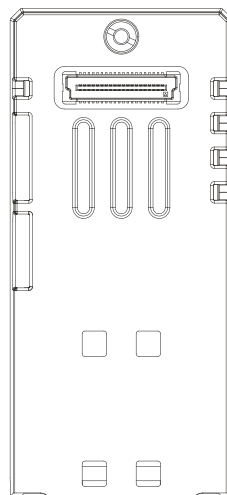
Dimensions

Description

PLCM07 - Secure Cloud Connector is a communication module designed to let the operator panel and the PLCs connected in a sub-network to be accessed remotely using JMcloud solution.



- 1 WAN
- 2 LAN
- 3 USB 2.0 port
- 4 MicroSD card slot

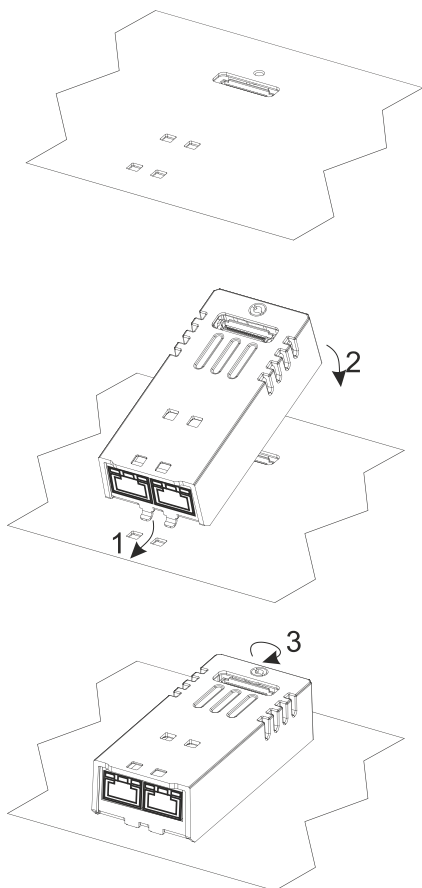


1 MANPLCM07-001 V.1.04 02.20

2 MANPLCM07-001 V.1.04 02.20

Mounting the module

Remove the connector protective cover from the equipment before installing the module.



3 MANPLCM07-001 V.1.04 02.20

The products have been designed for use on Exor products with expansion slot for plugin module for use in an industrial environment in compliance with the 2014/30/EU directive

The products have been designed in compliance with:

- EN 61000-6-4
- EN 55011 Class A
- EN 61000-6-2
- EN 61000-4-2
- EN 61000-4-3
- EN 61000-4-4
- EN 61000-4-5
- EN 61000-4-6
- EN 61000-4-8
- EN 60945

The installation of these devices into the residential, commercial and light-industrial environments is allowed only in the case that special measures are taken in order to get the conformity to IEC-61000-6.3.

Software available in this product is based on OpenSource. Visit oss.exorint.net for more details.

Reproduction of the contents of this copyrighted document, in whole or part, without written permission of Exor International S.p.A., is prohibited.

MANPLCM07-001
V.1.04 10.02.2020

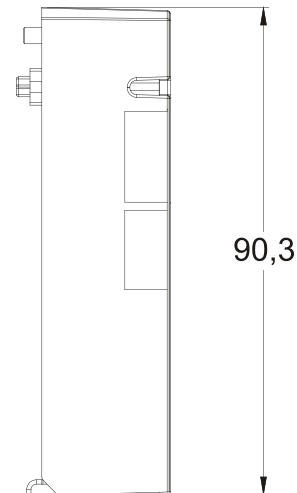
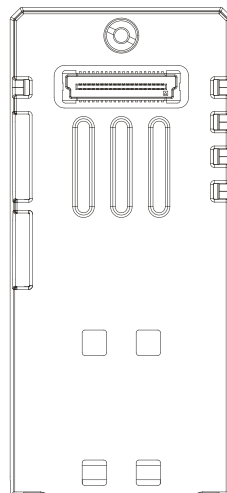
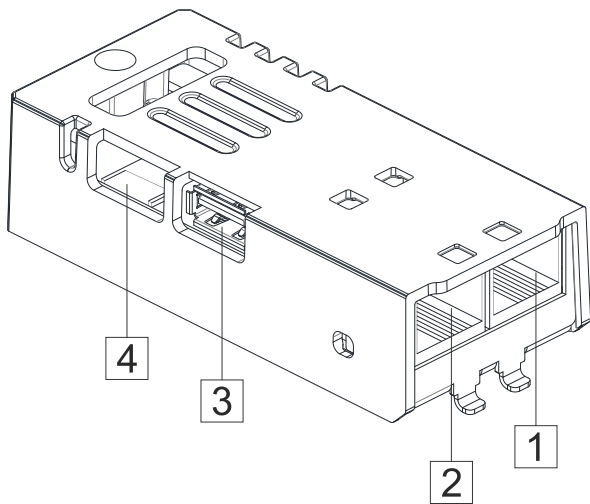
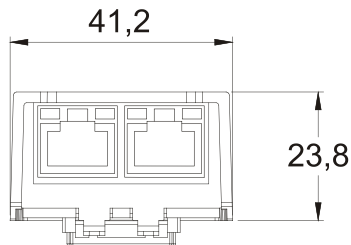
4

PLCM07

Dimensioni

Descrizione

PLCM07 - Secure Cloud Connector è un modulo di comunicazione realizzato per permettere il collegamento remoto del pannello di interfaccia operatore e dei PLCs collegati in una sub-network, tramite la soluzione JMcloud



- 1 WAN
- 2 LAN
- 3 USB 2.0 port
- 4 MicroSD card slot

1 MANPLCM07-001 V.1.04 02.20

2 MANPLCM07-001 V.1.04 02.20

Montaggio

Rimuovere dall'apparecchiatura la protezione di copertura del connettore prima di installare il modulo.

I prodotti sono stati progettati per essere utilizzati su prodotti Exor con slot d'espansione per moduli plugin per l'impiego in ambiente industriale in conformità alla direttiva 2014/30/UE

I prodotti sono stati progettati in conformità alle norme:

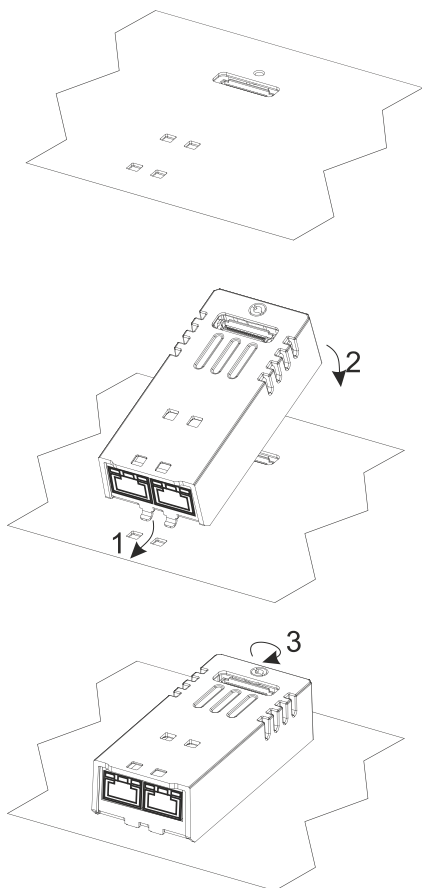
- EN 61000-6-4
- EN 61000-6-2
- EN 55011 Class A
- EN 61000-4-2
- EN 61000-4-3
- EN 61000-4-4
- EN 61000-4-5
- EN 61000-4-6
- EN 61000-4-8
- EN 60945

L'utilizzo di queste apparecchiature in ambienti residenziali, commerciali e dell'industria leggera è permesso solo nel caso in cui vengano prese le misure speciali per ottenere la conformità alla IEC61000-6-3.

Il software disponibile in questo prodotto si basa su OpenSource. Visita oss.exorint.net per maggiori dettagli.

Nessuna parte di questo manuale può essere riprodotta senza il preventivo permesso scritto di Exor International S.p.A.

MANPLCM07-001
V.1.04 10.02.2020



3 MANPLCM07-001 V.1.04 02.20

4



**SCATTERGOOD
& JOHNSON LTD**
ELECTRICAL ENGINEERING & FLUID CONTROL DISTRIBUTORS

Est.1899

At Scattergood & Johnson Ltd, we pride ourselves on being a technical distributor to specialist industries.

Working with a range of quality product manufacturers across a number of specialist markets, we are not your average 'box shifter' - we are your technical and supply chain partner.

We fully support every product we sell - for free! Our internal team and external sales engineers can answer any product or application question, no matter the complexity.

Backing up this technical ability is a range of 50,000+ products available from stock for nationwide next day delivery (same day if required!), or you can collect what you need from any of our trade counters around the UK.

Select your specialist interest below to learn more about how we can help.



Online, In Branch and On the Road - Scattergood & Johnson Ltd, there when you need us.

www.scatts.co.uk