



**GMC**

Gland Mounted Clamp For Hawke Cable Glands



The Hawke GMC is a retro fittable clamp intended for use where additional cable support is required.

**Features**

- Provides additional cable support and pullout resistance
- 3-Part design allows clamp to be retrospectively fitted
- Captive fittings for easy installation
- Manufactured in 316 Stainless Steel
- Offers clamping solution in accordance with BS EN 60079-14 10.3
- Suitable for all styles of Hawke cable gland listed below

**Clamp Selection Table**

Clamp Size	Gland Type	501/321					All Other Glands				
		Os	O	A	B	C	Os	O	A	B	C*
Size 1											
Size 2											
Size 3											
Size 4											
Size 5											

\* Max cable diameter 27.5mm

**Suitable Hawke Cable Glands**

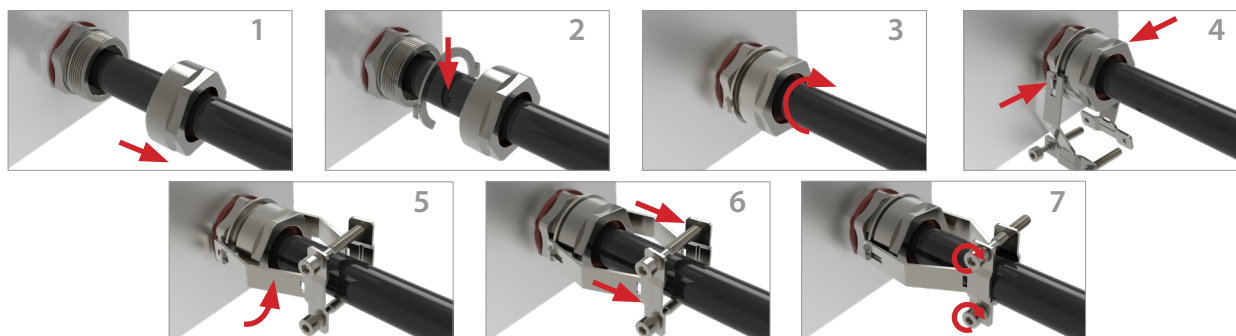
501/321, 501/421, 501/423, 501/453/RAC, 501/453/UNIV, ICG653/UNIV, PSG553/RAC  
 501/453/RAC/L, ICG653/UNIV/L, 121, 123, 151/RAC, 153/RAC, 153/UNIV, 153/RAC/L  
 653/UNIV, 453/RAC, 453/UNIV

**Ordering Example:**

Gland Mounted Clamp / Size 1

**Installation Steps**

- 1 Unscrew tail nut and slide down the cable.
- 2 Choose correct mounting ring from two options supplied and drop onto cable.
- 3 Slide mounting ring onto the gland and re-install the backnut. The clamp mounting ring should now be retained on the gland.
- 4 Hook the clamp arms onto the clamp mounting ring.
- 5 Rotate the clamp arms 90 degrees and pre-engage the screws. Do not yet tighten.
- 6 Whilst the clamp is still loose, pull it in the direction shown to ensure it is up against the backnut.
- 7 Tighten the screws. It is recommended to incrementally tighten each screw to ensure the clamp is tightened equally on both sides.





**SCATTERGOOD  
& JOHNSON LTD**  
ELECTRICAL ENGINEERING & FLUID CONTROL DISTRIBUTORS

Est.1899

At Scattergood & Johnson Ltd, we pride ourselves on being a technical distributor to specialist industries.

Working with a range of quality product manufacturers across a number of specialist markets, we are not your average 'box shifter' - we are your technical and supply chain partner.

We fully support every product we sell - for free! Our internal team and external sales engineers can answer any product or application question, no matter the complexity.

Backing up this technical ability is a range of 50,000+ products available from stock for nationwide next day delivery (same day if required!), or you can collect what you need from any of our trade counters around the UK.

Select your specialist interest below to learn more about how we can help.



Online, In Branch and On the Road - Scattergood & Johnson Ltd, there when you need us.

**[www.scatts.co.uk](http://www.scatts.co.uk)**