

LED Aufbauleuchte FLS 150

LED surface mtd. luminaire FLS 150

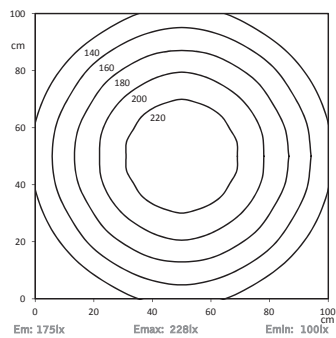
Flache LED Maschinenaufbauleuchte mit 24V Betriebsspannung
Flat LED surface mounted machine luminaire with 24V operating voltage



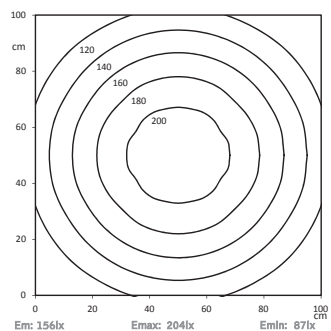
Lichtverteilung | Light distribution

Lichtpunkthöhe | Light source height: 100cm

PMMA diffus | PMMA diffuse

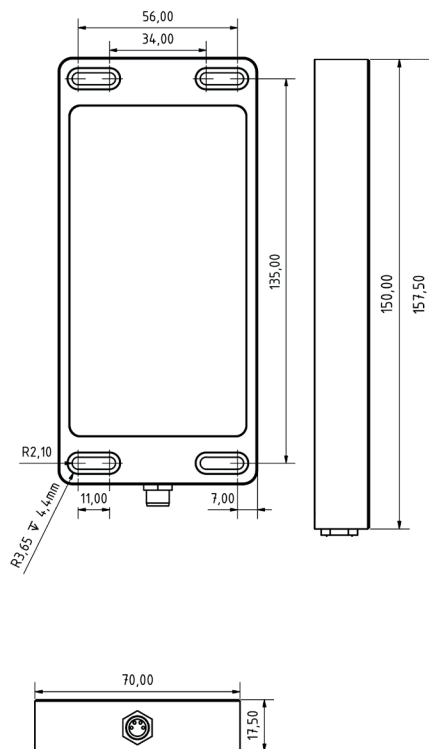


ESG diffus | Single-pane-safety glass clear



Dimensionierung | Dimensions

Maximaler Schraubenkopfdurchmesser |
Maximum screw head diameter: \varnothing 7,4 mm



Technische Daten | Technical data

Leistung: Power:	6,3W 6,3W
Anschlusswert: Connection value:	24V DC (-10%/+15%) 24V DC (-10%/+15%)
Anschluss Connection type:	M8 Steckverbinder 4pol. A codiert M8 connector 4pol. A coded
Gehäuse: Housing:	Aluminium eloxiert Anodised aluminium
Schutzart: Protection rating:	IP67 IP67
Schutzklasse: Protection class:	III III
Abdeckung: Cover	PMMA diffus oder ESG diffus PMMA diffuse, safety glass diffuse
Farbtreue: Colour rendering:	Ra / CRI \geq 80 Ra / CRI \geq 80
Lebensdauer: Service life:	min. 60 000h min. 60 000h
Max. Umgebungstemperatur: Max. ambient temperature:	-20°C / +45°C -20°C / +45°C
Optik: Optics:	120° Optik 120° optics
Belegung: Pin assignment	1 = DC (+) br br 2 = Eco (DC+) ws wh 3 = DC (-) bl bl 4 = NC

Normen / Approbationen Standards / Approvals

DIN EN 55015 (EMV)
DIN EN 61547 (EMV)
DIN EN 60598-1
DIN EN 62471



Maschinenbau



Medizintechnik



Erneuerbare
Energien



Mobile
Automation



E-Mail

sales@sangel.com



Hotline

+49 521.911750

Nomenklatur Nomenclature	Katalognr. Catalogue no.	Abdeckung Cover	Anschluss Connection type	Lichtstrom Luminous flux	Lichtfarbe Light temp.
LED FLS 150 PMMAAd-M8-57	15070150	PMMA diffus PMMA diffuse	M8 Steckverbinder M8 connector 4pol.	ca. 804 lm	5.700K
LED FLS 150 ESGd-M8-57	15070151	ESG diffus safety glass diffuse	M8 Steckverbinder M8 connector 4 pol.	ca. 804 lm	5.700K
LED FLS 150 PMMAAd-M8-40	15070156	PMMA diffus PMMA diffuse	M8 Steckverbinder M8 connector 4pol.	ca. 804 lm	4.000K
LED FLS 150 ESGd-M8-40	15070157	ESG diffus safety glass diffuse	M8 Steckverbinder M8 connector 4pol.	ca. 804 lm	4.000K*

LED Aufbauleuchte FLS 250

LED surface mtd. luminaire FLS 250

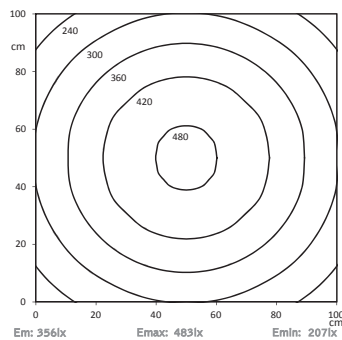
Flache LED Maschinenaufbauleuchte mit 24V Betriebsspannung
Flat LED machine surface mounted machine luminaire with 24V operating voltage



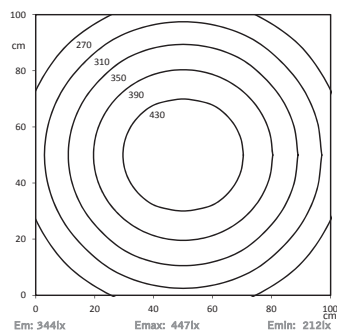
Lichtverteilung | Light distribution

Lichtpunkthöhe | Light source height: 100cm

PMMA diffus | PMMA diffuse

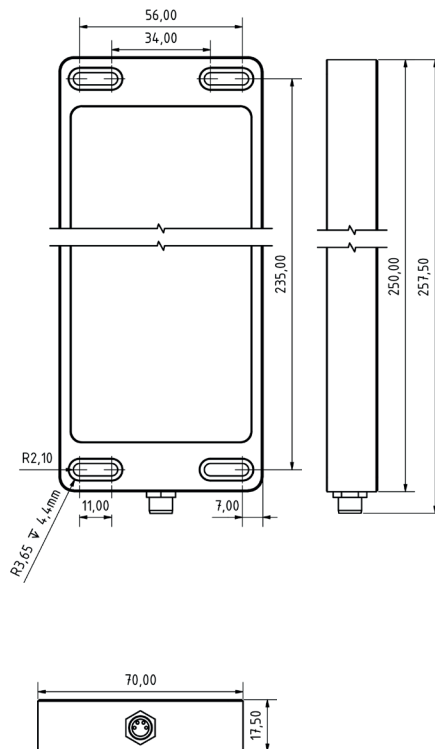


ESG diffus | Single-pane-safety glass clear



Dimensionierung | Dimensions

Maximaler Schraubenkopfdurchmesser |
Maximum screw head diameter: \varnothing 7,4 mm



Technische Daten | Technical data

Leistung: Power:	12,5W 12,5W
Anschlusswert: Connection value:	24V DC (-10%/+15%) 24V DC (-10%/+15%)
Anschluss Connection type:	M8 Steckverbinder 4pol. A codiert M8 connector 4pol. A coded
Gehäuse: Housing:	Aluminium eloxiert Anodised aluminium
Schutzart: Protection rating:	IP67 IP67
Schutzklasse: Protection class:	III III
Abdeckung: Cover	PMMA diffus oder ESG diffus PMMA diffuse, safety glass diffuse
Farbtreue: Colour rendering:	Ra / CRI \geq 80 Ra / CRI \geq 80
Lebensdauer: Service life:	min. 60 000h min. 60 000h
Max. Umgebungstemperatur: Max. ambient temperature:	-20°C / +45°C -20°C / +45°C
Optik: Optics:	120° Optik 120° optics
Belegung: Pin assignment	1 = DC (+) br br 2 = Eco (DC+) ws wh 3 = DC (-) bl bl 4 = NC

Normen / Approbationen Standards / approvals

DIN EN 55015 (EMV)
DIN EN 61547 (EMV)
DIN EN 60598-1
DIN EN 62471



Maschinenbau



Medizintechnik



Erneuerbare
Energien



Mobile
Automation



E-Mail

sales@sangel.com

Hotline

+49 521.911750

Nomenklatur Nomenclature	Katalognr. Catalogue no.	Abdeckung Cover	Anschluss Connection type	Lichtstrom Luminous flux	Lichtfarbe Light temp.
LED FLS 250 PMMA _d -M8-57	15070174	PMMA diffus PMMA diffuse	M8 Steckverbinder M8 connector 4pol.	ca. 1608 lm	5.700K
LED FLS 250 ESG _d -M8-57	15070175	ESG diffus safety glass diffuse	M8 Steckverbinder M8 connector 4pol.	ca. 1608 lm	5.700K
LED FLS 250 PMMA _d -M8-40	15070180	PMMA diffus PMMA diffuse	M8 Steckverbinder M8 connector 4pol.	ca. 1608 lm	4.000K
LED FLS 250 ESG _d -M8-40	15070181	ESG diffus safety glass diffuse	M8 Steckverbinder M8 connector 4pol.	ca. 1608 lm	4.000K

LED Aufbauleuchte FLS 350

LED surface mtd. luminaire FLS 350

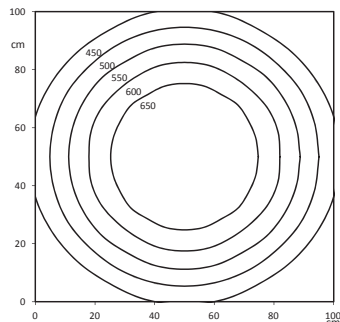
Flache LED Maschinenaufbauleuchte mit 24V Betriebsspannung
Flat LED surface mounted machine luminaire with 24V operating voltage



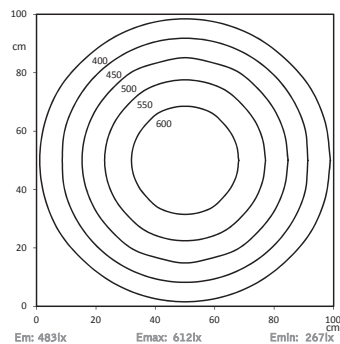
Lichtverteilung | Light distribution

Lichtpunkthöhe | Light source height: 100cm

PMMA diffus | PMMA diffuse

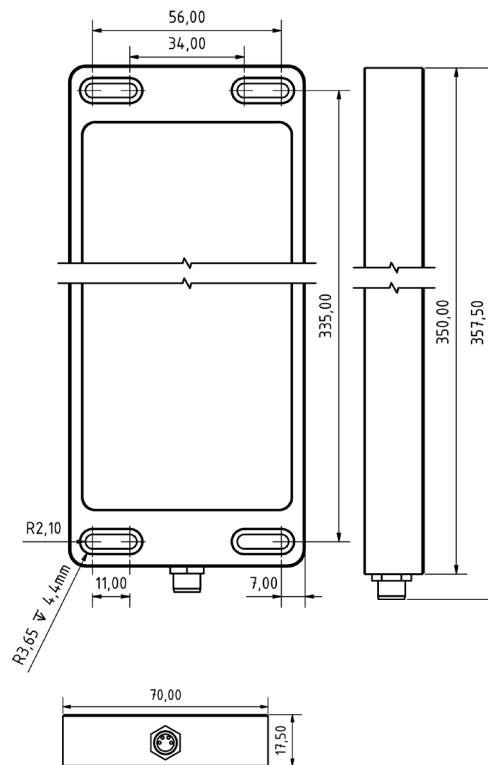


ESG diffus | Single-pane-safety glass clear



Dimensionierung | Dimensions

Maximaler Schraubenkopfdurchmesser |
Maximum screw head diameter: \varnothing 7,4 mm



Technische Daten | Technical data

Leistung:	18,8W
Power:	18,8W
Anschlusswert:	24V DC (-10%/+15%)
Connection value:	24V DC (-10%/+15%)
Anschluss	M8 Steckverbinder
Connection type:	4pol. A codiert
	M8 connector
	4pol. A coded
Gehäuse:	Aluminium eloxiert
Housing:	Anodised aluminium
Schutzart:	IP67
Protection rating:	IP67
Schutzklasse:	III
Protection class:	III
Abdeckung:	PMMA diffus
Cover	oder ESG diffus
	PMMA diffuse, safety
	glass diffuse
Farbtreue:	Ra / CRI \geq 80
Colour rendering:	Ra / CRI \geq 80
Lebensdauer:	min. 60 000h
Service life:	min. 60 000h
Max. Umgebungstemperatur:	-20°C / +45°C
Max. ambient temperature:	-20°C / +45°C
Optik:	120° Optik
Optics:	120° optics
Belegung:	1 = DC (+) br br
Pin assignment	2 = Eco (DC+) ws wh
	3 = DC (-) bl bl
	4 = NC

Normen / Approbationen Standards / Approvals

DIN EN 55015 (EMV)
DIN EN 61547 (EMV)
DIN EN 60598-1
DIN EN 62471



Maschinenbau



Medizintechnik



Erneuerbare
Energien



Mobile
Automation



E-Mail

sales@sangel.com

Hotline

+49 521.911750

Nomenklatur Nomenclature	Katalognr. Catalogue no.	Abdeckung Cover	Anschluss Connection type	Lichtstrom Luminous flux	Lichtfarbe Light temp.
LED FLS 350 PMMAAd-M8-57	15070198	PMMA diffus PMMA diffuse	M8 Steckverbinder M8 connector 4pol.	ca. 2412 lm	5.700K
LED FLS 350 ESGd-M8-57	15070199	ESG diffus safety glass diffuse	M8 Steckverbinder M8 connector 4pol.	ca. 2412 lm	5.700K
LED FLS 350 PMMAAd-M8-40	15070204	PMMA diffus PMMA diffuse	M8 Steckverbinder M8 connector 4pol.	ca. 2412 lm	4.000K
LED FLS 350 ESGd-M8-40	15070205	ESG diffus safety glass diffuse	M8 Steckverbinder M8 connector 4pol.	ca. 2412 lm	4.000K

LED Aufbauleuchte FLS 450

LED surface mtd. luminaire FLS 450

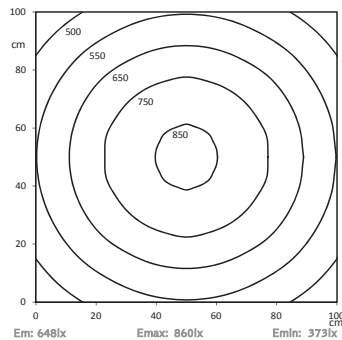
Flache LED Maschinenaufbauleuchte mit 24V Betriebsspannung
Flat LED surface mounted machine luminaire with 24V operating voltage



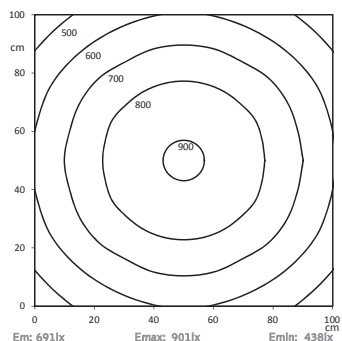
Lichtverteilung | Light distribution

Lichtpunkthöhe | Light source height: 100cm

PMMA diffus | PMMA diffuse

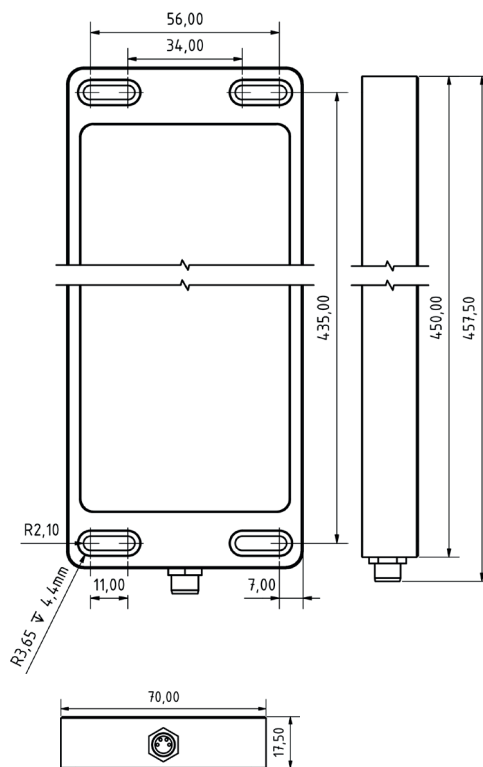


ESG diffus | Single-pane-safety glass clear



Dimensionierung | Dimensions

Maximaler Schraubenkopfdurchmesser |
Maximum screw head diameter: \varnothing 7,4 mm



Technische Daten | Technical data

Leistung:	25W
Power:	25W
Anschlusswert:	24V DC (-10%/+15%)
Connection value:	24V DC (-10%/+15%)
Anschluss:	M8 Steckverbinder
	4pol. A codiert
Connection:	M8 connector
	4pol. A coded
Gehäuse:	Aluminium eloxiert
Housing:	Anodised aluminium
Schutzart:	IP67
Protection rating:	IP67
Schutzklasse:	III
Protection class:	III
Abdeckung:	PMMA diffus
	oder ESG diffus
Cover:	PMMA diffuse, safety glass diffuse or
Farbtreue:	Ra / CRI \geq 80
Colour rendering:	Ra / CRI \geq 80
Lebensdauer:	min. 60 000h
Service life:	min. 60 000h
Max. Umgebungstemperatur:	-20°C / +45°C
Max. ambient temperature:	-20°C / +45°C
Optik:	120° Optik
Optics:	120° optics
Belegung:	1 = DC (+) br br
Pin assignment:	2 = Eco (DC+) ws wh
	3 = DC (-) bl bl
	4 = NC

Normen / Approbationen Standards / approvals

DIN EN 55015 (EMV)
DIN EN 61547 (EMV)
DIN EN 60598-1
DIN EN 62471



Maschinenbau



Medizintechnik



Erneuerbare
Energien



Mobile
Automation



E-Mail

sales@sangel.com

Hotline

+49 521.911750

Nomenklatur Nomenclature	Katalognr. Catalogue no.	Abdeckung Cover	Anschluss Connection type	Lichtstrom Luminous flux	Lichtfarbe Light temp.
LED FLS 450 PMMA-d-M8-57	15070222	PMMA diffus PMMA diffuse	M8 Steckverbinder M8 connector 4pol.	ca. 3216 lm	5.700K
LED FLS 450 ESGd-M8-57	15070223	ESG diffus safety glass diffuse	M8 Steckverbinder M8 connector 4pol.	ca. 3216 lm	5.700K
LED FLS 450 PMMA-d-M8-40	15070228	PMMA diffus PMMA diffuse	M8 Steckverbinder M8 connector 4pol.	ca. 3216 lm	4.000K
LED FLS 450 ESGd-M8-40	15070229	ESG diffus safety glass diffuse	M8 Steckverbinder M8 connector 4pol.	ca. 3216 lm	4.000K



SCATTERGOOD & JOHNSON LTD

ELECTRICAL ENGINEERING & FLUID CONTROL DISTRIBUTORS

Est.1899

At Scattergood & Johnson Ltd, we pride ourselves on being a technical distributor to specialist industries.

Working with a range of quality product manufacturers across a number of specialist markets, we are not your average 'box shifter' - we are your technical and supply chain partner.

We fully support every product we sell - for free! Our internal team and external sales engineers can answer any product or application question, no matter the complexity.

Backing up this technical ability is a range of 50,000+ products available from stock for nationwide next day delivery (same day if required!), or you can collect what you need from any of our trade counters around the UK.

Select your specialist interest below to learn more about how we can help.



Online, In Branch and On the Road - Scattergood & Johnson Ltd, there when you need us.

www.scatts.co.uk