

# Device connector, rear mounting - SACCBP-MS-8CON-M16/1,0-PUR SCO



1419425

<https://www.phoenixcontact.com/gb/products/1419425>

Please be informed that the data shown in this PDF document is generated from our Online Catalog. Please find the complete data in the user documentation. Our General Terms of Use for Downloads are valid.

---



Flush-type plug, shielded, 8-pos., M12, A-coded, rear/screw mounting with M16 thread, with 1 m cable, 8 x 0.25 mm<sup>2</sup>

---

## Your advantages

- Pre-assembled with cables in various standard lengths for immediate use
- Customer-specific assemblies and cable lengths can be supplied
- Sealed on the cable side for optimum tightness of seal
- For high transmission safety: shield connection to the housing with optional EMC nut

# Device connector, rear mounting - SACCBP-MS-8CON-M16/1,0-PUR SCO



1419425

<https://www.phoenixcontact.com/gb/products/1419425>

## Commercial Data

Order Key	1419425
Packing unit	1 pc
Minimum order quantity	1 pc
Sales Key	ABQCEC
Product Key	ABQCEC
Catalog Page	Page 51 (C-2-2019)
GTIN	4046356533324
Weight per Piece (including packing)	88.7 g
Weight per Piece (excluding packing)	77.78 g
Customs tariff number	85444290
Country of origin	DE

# Device connector, rear mounting - SACCBP-MS-8CON-M16/1,0-PUR SCO



1419425

<https://www.phoenixcontact.com/gb/products/1419425>

## Technical Data

### Notes

Notes on operation	The electrical and mechanical data specified assume that the connector pair is correctly locked and mounted. If the connector is unlocked and if there is a danger of contamination, the connector must be sealed using a protective cap > IP54. Influences arising from litz wires, cables or PCB assembly must also be taken into consideration.
--------------------	--

### Product properties

Number of positions	8
Coding	A - standard

### Insulation characteristics

Overvoltage category	II
Degree of pollution	3

### Ambient conditions

Degree of protection	IP67 (When plugged in)
	IP65 (When plugged in)
Degree of protection	IP65/IP67
Ambient temperature (operation)	-25 °C ... 85 °C (Plug / socket)
	-40 °C ... 85 °C (without mechanical actuation)
	-25 °C ... 85 °C (Cable, flexible installation)
	-40 °C ... 85 °C (cable, fixed installation)

### Connector

Insertion/withdrawal cycles	> 100
-----------------------------	-------

### Header 1

Head design	Flush-type male connector
Head cable outlet	straight
Head thread type	M12
Head locking type	SPEEDCON
Coding	A-coded

### Header 2

Head design	free cable end
-------------	----------------

### Electrical properties

Rated surge voltage	0.8 kV
Contact resistance	≤ 3 mΩ
Insulation resistance	≥ 100 MΩ
Nominal voltage $U_N$	30 V

# Device connector, rear mounting - SACCBP-MS-8CON-M16/1,0-PUR SCO



1419425

<https://www.phoenixcontact.com/gb/products/1419425>

Nominal current $I_N$	2 A
-----------------------	-----

## Material specifications

Flammability rating according to UL 94	V0
Sealing material	FKM
Contact material	CuZn
Contact surface material	Au
Contact carrier material	PA 6.6
Cable gland material	Zinc die-cast, nickel-plated

## Connection data

### Connection technology

Connection method	Individual wires
-------------------	------------------

### Conductor connection

Connection method	Individual wires
-------------------	------------------

## Mounting

Mounting type	Rear mounting M16 x 1.5 With flat nut
Assembly instructions	With flat nut

## Standards and regulations

### M12

Standards/specifications	IEC 61076-2-101
--------------------------	-----------------

## Cable / line

Fixed cable length	1 m
Shielded	yes
UL AWM Style	20549 / 10493 (80°C/300 V)
Cable weight	53 kg/km

### Cable structure

Cable abbreviation	LiF9YC11Y
Cable type	PUR halogen-free black
Cable type (abbreviation)	PUR
External cable diameter	5.9 mm $\pm$ 0.2 mm
Outer sheath, material	PUR
External sheath, color	black-gray RAL 7021
Thickness, outer sheath	approx. 0.5 mm
Conductor material	Bare Cu litz wires
Conductor structure signal line	32x 0.10 mm
AWG signal line	24
Material wire insulation	PP

# Device connector, rear mounting - SACCBP-MS-8CON-M16/1,0-PUR SCO



1419425

<https://www.phoenixcontact.com/gb/products/1419425>

Thickness, insulation	approx. 0.2 mm
Wire diameter incl. insulation	1.17 mm $\pm$ 0.02 mm
Single wire, color	Brown, white, green, yellow, gray, pink, blue, red
Overall twist	8 wires around filler to the core
Shielding	Tinned copper braided shield
Optical shield covering	85 %

## Electrical properties

Nominal voltage, cable	$\leq$ 300 V AC
Test voltage Core/Shield	$\geq$ 2000 V AC (for 60 s)
Test voltage, cable	$\geq$ 3000 V AC (Spark test)
Conductor resistance	$\leq$ 78 $\Omega$ /km (at 20 °C)
Cable insulation resistance	$\geq$ 1 G $\Omega$ *km (at 20 °C)

## Bending cycles

Minimum bending radius, fixed installation	5 x D
Minimum bending radius, flexible installation	10 x D
Number of bending cycles	2000000
Minimum bending radius, drag chain applications	10 x D
Traversing path	10 m
Traversing rate	3 m/s
Acceleration	10 m/s <sup>2</sup>

## Ambient conditions

Halogen-free	in accordance with DIN VDE 0472 part 815
	according to IEC 60754-1
Resistance to oil	in accordance with IEC 60811-404
Flame resistance	in acc. with UL FT-2
	according to UL 758/1581 (horizontal)
	in accordance with UL 758/1581 FT2
	According to DIN EN 60332-2-2 (20 s)
Other resistance	hydrolysis and microbe resistant
	Resistant to salt water
	low-abrasion
	partly UV-resistant in accordance with DIN EN ISO 4892-2-A
Special properties	Flexible cable conduit capable
Ambient temperature (operation)	-25 °C ... 80 °C (Cable, flexible installation)
	-40 °C ... 80 °C (cable, fixed installation)

# Device connector, rear mounting - SACCBP-MS-8CON-M16/1,0-PUR SCO

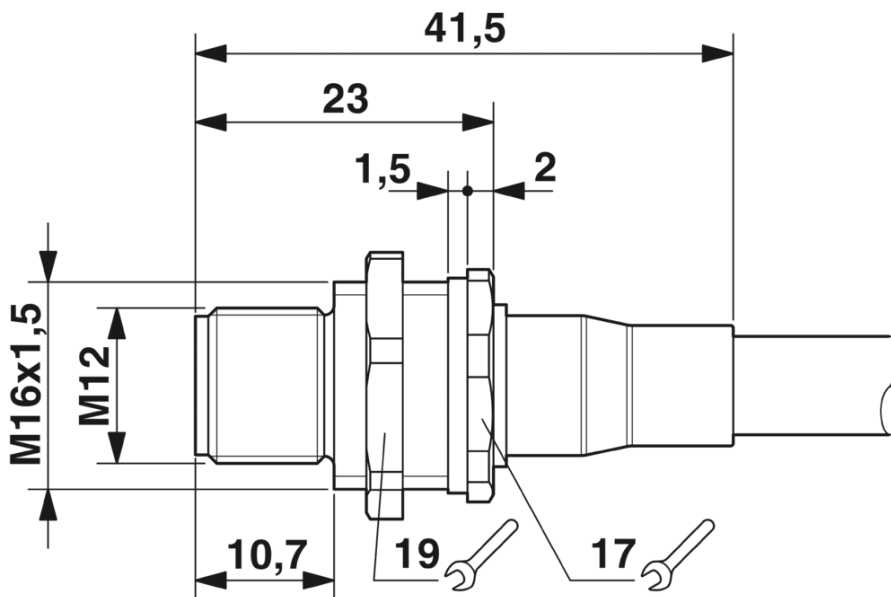


1419425

<https://www.phoenixcontact.com/gb/products/1419425>

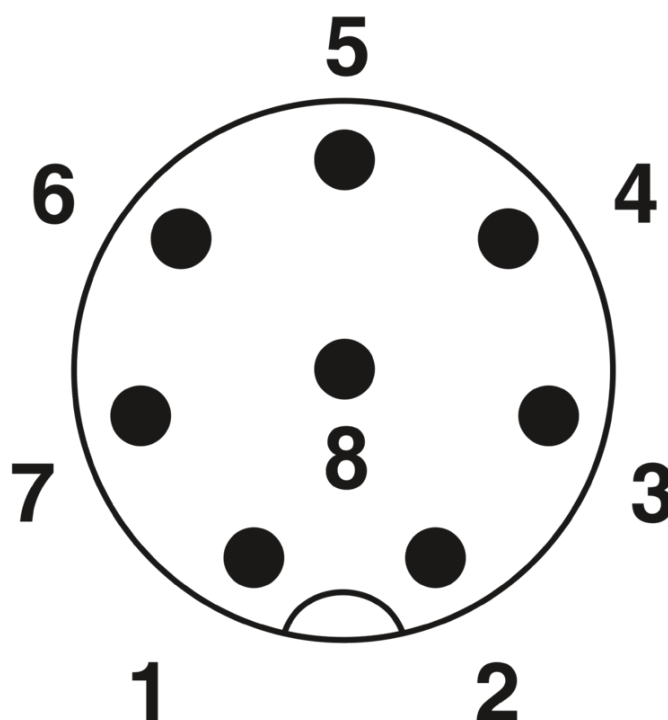
## Drawings

Dimensional drawing



M12 flush-type connector

Schematic diagram



Pin assignment of M12 male connector, 8-pos., A-coded, view of socket side

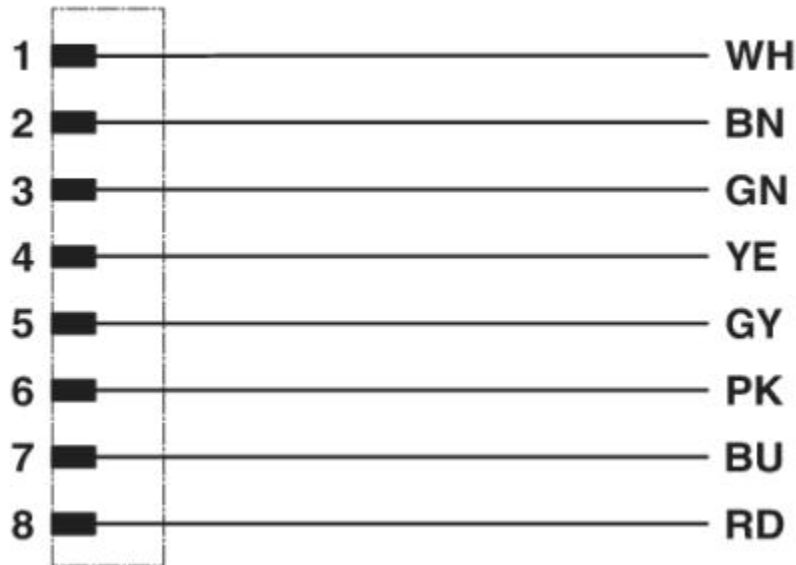
# Device connector, rear mounting - SACCBP-MS-8CON-M16/1,0-PUR SCO



1419425

<https://www.phoenixcontact.com/gb/products/1419425>

Circuit diagram



Contact assignment of the M12 plugs

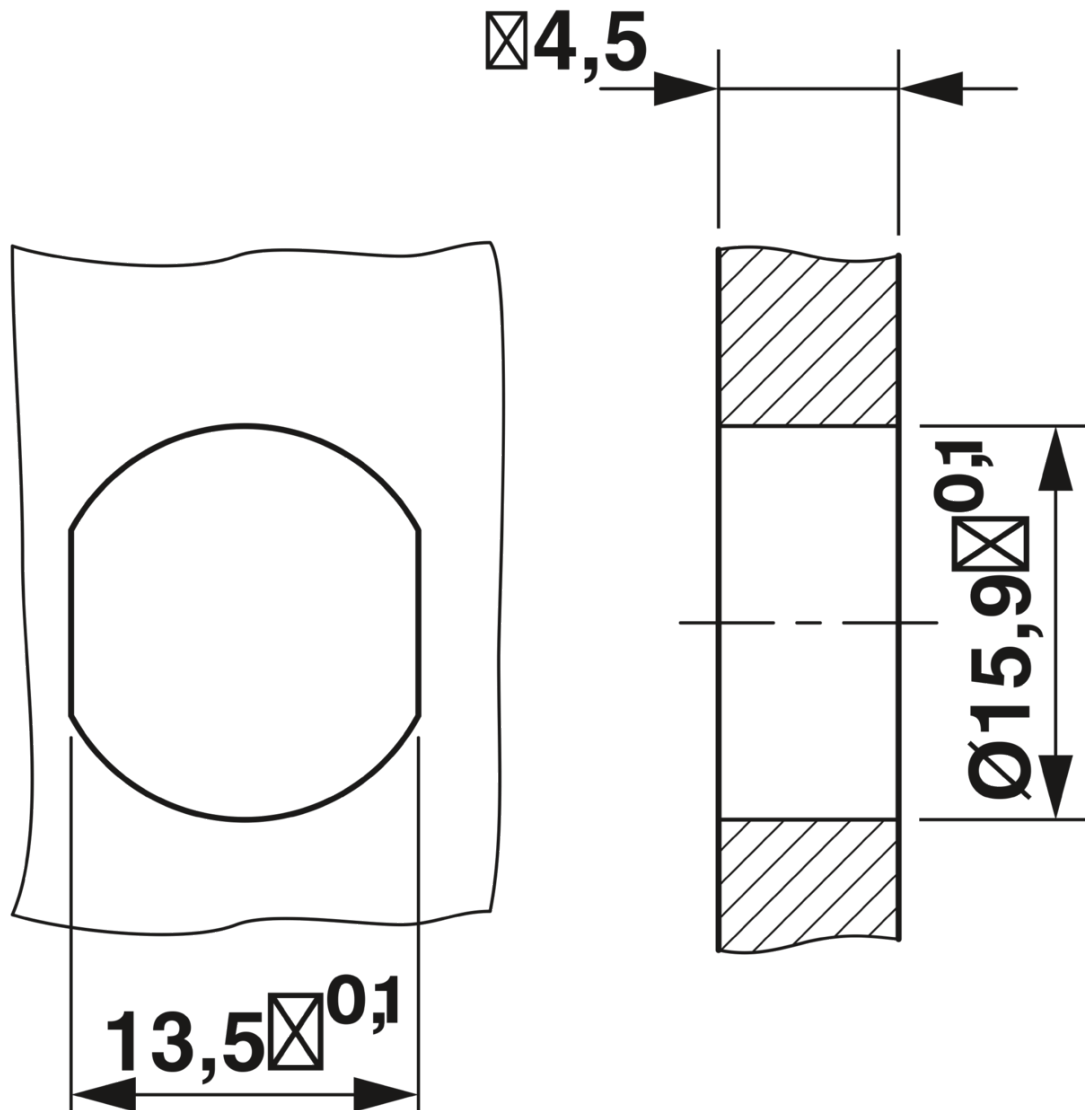
# Device connector, rear mounting - SACCBP-MS-8CON-M16/1,0-PUR SCO



1419425

<https://www.phoenixcontact.com/gb/products/1419425>

Dimensional drawing



Housing cutout for M16 fastening thread, mounting panel with feed-through hole (alternatively with surface as protection against rotation)

# Device connector, rear mounting - SACCBP-MS-8CON-M16/1,0-PUR SCO



1419425

<https://www.phoenixcontact.com/gb/products/1419425>

## Approvals

EAC 

# Device connector, rear mounting - SACCBP-MS-8CON-M16/1,0-PUR SCO



1419425

<https://www.phoenixcontact.com/gb/products/1419425>

## Classifications

### ECLASS

ECLASS-9.0	27440102
ECLASS-10.0.1	27440102
ECLASS-11.0	27440102

### ETIM

ETIM 6.0	EC002061
----------	----------

### UNSPSC

UNSPSC 19.0	39121413
UNSPSC 20.0	39121413
UNSPSC 21.0	39121413

# Device connector, rear mounting - SACCBP-MS-8CON-M16/1,0-PUR SCO



1419425

<https://www.phoenixcontact.com/gb/products/1419425>

## Environmental Product Compliance

REACH SVHC	Lead 7439-92-1
China RoHS	Environmentally Friendly Use Period = 50 years For details about hazardous substances go to tab "Downloads", Category "Manufacturer's declaration"

Phoenix Contact 2022 © - all rights reserved  
<https://www.phoenixcontact.com>

PHOENIX CONTACT Ltd  
 Halesfield 13, Telford  
 Shropshire, TF7 4PG  
 01952 681700  
[info@phoenixcontact.co.uk](mailto:info@phoenixcontact.co.uk)



**SCATTERGOOD  
& JOHNSON LTD**  
ELECTRICAL ENGINEERING & FLUID CONTROL DISTRIBUTORS

Est.1899

At Scattergood & Johnson Ltd, we pride ourselves on being a technical distributor to specialist industries.

Working with a range of quality product manufacturers across a number of specialist markets, we are not your average 'box shifter' - we are your technical and supply chain partner.

We fully support every product we sell - for free! Our internal team and external sales engineers can answer any product or application question, no matter the complexity.

Backing up this technical ability is a range of 50,000+ products available from stock for nationwide next day delivery (same day if required!), or you can collect what you need from any of our trade counters around the UK.

Select your specialist interest below to learn more about how we can help.



Online, In Branch and On the Road - Scattergood & Johnson Ltd, there when you need us.

**[www.scatts.co.uk](http://www.scatts.co.uk)**