

Connector - SACC-M 8MS-4QO-0,25-M



1441011

<https://www.phoenixcontact.com/gb/products/1441011>

Please be informed that the data shown in this PDF document is generated from our Online Catalog. Please find the complete data in the user documentation. Our General Terms of Use for Downloads are valid.



Connector, Universal, 4-position, Plug straight M8, Coding: A, Insulation displacement connection, knurl material: Nickel-plated brass, external cable diameter 2.5 mm ... 5 mm

Your advantages

- Safe use in the field, thanks to a high degree of protection
- Insulation displacement connection: innovative and time-saving assembly without stripping the single wire

Connector - SACC-M 8MS-4QO-0,25-M



1441011

<https://www.phoenixcontact.com/gb/products/1441011>

Commercial Data

| | |
|--------------------------------------|--------------------|
| Order Key | 1441011 |
| Packing unit | 1 pc |
| Minimum order quantity | 1 pc |
| Sales Key | BF2BCA |
| Product Key | BF2BCA |
| Catalog Page | Page 16 (C-2-2019) |
| GTIN | 4046356515900 |
| Weight per Piece (including packing) | 8.4 g |
| Weight per Piece (excluding packing) | 8 g |
| Customs tariff number | 85366990 |
| Country of origin | DE |

Connector - SACC-M 8MS-4QO-0,25-M



1441011

<https://www.phoenixcontact.com/gb/products/1441011>

Technical Data

Notes

Assembly instruction:

NOTE: Observe the permissible bending radii when laying conductors, since the degree of protection may be put in jeopardy if the bending forces are too high. Alleviate mechanical loads upstream of the connector, e.g. by using cable ties.

Product properties

| | |
|---------------------|--------------|
| Number of positions | 4 |
| Coding | A - standard |

Insulation characteristics

| | |
|----------------------|----|
| Overvoltage category | II |
| Degree of pollution | 3 |

Ambient conditions

| | |
|---------------------------------|----------------------------------|
| Degree of protection | IP65 IP67 |
| Ambient temperature (operation) | -25 °C ... 80 °C (Plug / socket) |

Dimensions

| | |
|---------------------|---------|
| Dimensional drawing | |
| Length | 43.4 mm |

External dimensions

| | |
|------------------|-------------------------|
| Outside diameter | 2.5 mm ... 5 mm ±0.2 mm |
|------------------|-------------------------|

Housing

| | |
|------------------|---------|
| Diameter housing | 12.5 mm |
|------------------|---------|

Connector

| | |
|-----------------------------|-------|
| Insertion/withdrawal cycles | ≥ 100 |
|-----------------------------|-------|

Header 1

| | |
|-------------------|----------|
| Head design | Plug |
| Head cable outlet | straight |
| Head thread type | M8 |
| Coding | A-coded |

Electrical properties

| | |
|---------------------|--------|
| Rated surge voltage | 0.8 kV |
|---------------------|--------|

Connector - SACC-M 8MS-4QO-0,25-M



1441011

<https://www.phoenixcontact.com/gb/products/1441011>

| | |
|--------------------------------|----------|
| Contact resistance | ≤ 5 mΩ |
| Insulation resistance | ≥ 100 MΩ |
| Nominal voltage U _N | 30 V AC |
| | 30 V DC |
| Nominal current I _N | 4 A |

Material specifications

| | |
|--|------------------------|
| Color Handle area | black |
| Flammability rating according to UL 94 | HB |
| Sealing material | NBR |
| Material of grip body | PA 6 |
| Contact material | CuSn |
| Contact surface material | Ni/Au |
| Contact carrier material | TPU GF |
| Cable gland material | Nickel-plated brass |
| Wire insulation material | PVC / PE / PP / rubber |

Connection data

Connection technology

| | |
|-------------------|------------------------------------|
| Connection method | Insulation displacement connection |
| Outside diameter | 2.5 mm ... 5 mm ±0.2 mm |

Conductor connection

| | |
|----------------------------------|---|
| Connection method | Insulation displacement connection |
| Conductor cross section flexible | 0.08 mm ² ... 0.25 mm ² |
| Cross section AWG | 28 ... 24 |

Pin assignment

| | |
|---|--------|
| Contact Color (signal designation) Contact (optional) | 1 = BN |
| | 2 = WH |
| | 3 = BU |
| | 4 = BK |

Standards and regulations

M8

| | |
|--------------------------|-----------------|
| Standards/specifications | IEC 61076-2-104 |
|--------------------------|-----------------|

Cable / line

Cable structure

| | |
|-------------------------|-----------------|
| Signal type/category | Universal |
| External cable diameter | 2.5 mm ... 5 mm |

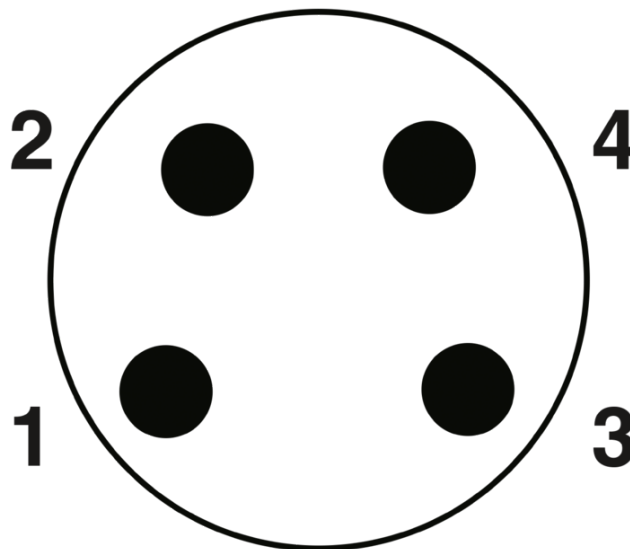
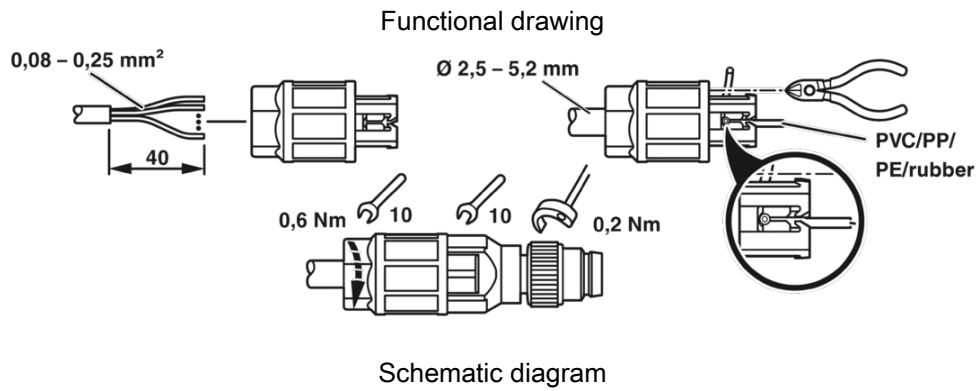
Connector - SACC-M 8MS-4QO-0,25-M



1441011

<https://www.phoenixcontact.com/gb/products/1441011>

Drawings



Pin assignment M8 plug, 4-pos., view male side

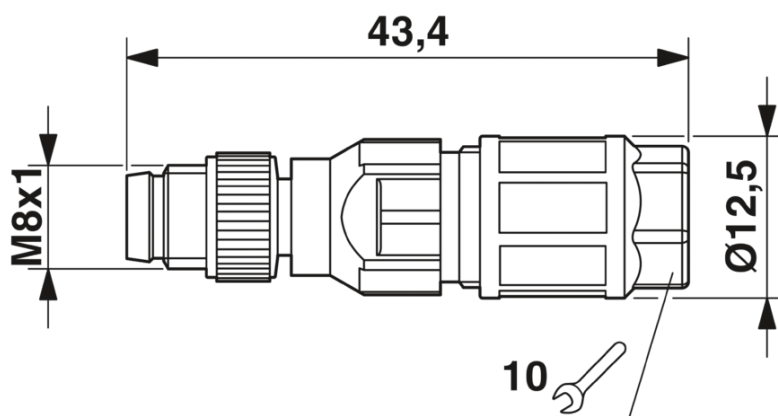
Connector - SACC-M 8MS-4QO-0,25-M



1441011

<https://www.phoenixcontact.com/gb/products/1441011>

Dimensional drawing



M8 x 1 male plug, straight version

Connector - SACC-M 8MS-4QO-0,25-M



1441011

<https://www.phoenixcontact.com/gb/products/1441011>

Approvals

cUL Recognized 

UL Recognized 

EAC 

EAC 

cULus Recognized

Connector - SACC-M 8MS-4QO-0,25-M



1441011

<https://www.phoenixcontact.com/gb/products/1441011>

Classifications

ECLASS

| | |
|---------------|----------|
| ECLASS-10.0.1 | 27440102 |
| ECLASS-9.0 | 27440102 |
| ECLASS-11.0 | 27440102 |

ETIM

| | |
|----------|----------|
| ETIM 6.0 | EC002062 |
|----------|----------|

UNSPSC

| | |
|-------------|----------|
| UNSPSC 19.0 | 39121413 |
| UNSPSC 20.0 | 39121413 |
| UNSPSC 21.0 | 39121413 |

Connector - SACC-M 8MS-4QO-0,25-M



1441011

<https://www.phoenixcontact.com/gb/products/1441011>

Environmental Product Compliance

| | |
|------------|--|
| REACH SVHC | Lead 7439-92-1 |
| China RoHS | Environmentally Friendly Use Period = 50 years For details about hazardous substances go to tab "Downloads", Category "Manufacturer's declaration" |

Phoenix Contact 2022 © - all rights reserved
<https://www.phoenixcontact.com>

PHOENIX CONTACT Ltd
Halesfield 13, Telford
Shropshire, TF7 4PG
01952 681700
info@phoenixcontact.co.uk



**SCATTERGOOD
& JOHNSON LTD**
ELECTRICAL ENGINEERING & FLUID CONTROL DISTRIBUTORS

Est.1899

At Scattergood & Johnson Ltd, we pride ourselves on being a technical distributor to specialist industries.

Working with a range of quality product manufacturers across a number of specialist markets, we are not your average 'box shifter' - we are your technical and supply chain partner.

We fully support every product we sell - for free! Our internal team and external sales engineers can answer any product or application question, no matter the complexity.

Backing up this technical ability is a range of 50,000+ products available from stock for nationwide next day delivery (same day if required!), or you can collect what you need from any of our trade counters around the UK.

Select your specialist interest below to learn more about how we can help.



Online, In Branch and On the Road - Scattergood & Johnson Ltd, there when you need us.

www.scatts.co.uk