

Connector - SACC-M 8FS-3QO-0,5-M



1441066

<https://www.phoenixcontact.com/gb/products/1441066>

Please be informed that the data shown in this PDF document is generated from our Online Catalog. Please find the complete data in the user documentation. Our General Terms of Use for Downloads are valid.



Connector, Universal, 3-position, Socket straight M8, Coding: A, Insulation displacement connection, knurl material: Zinc die-cast, nickel-plated, external cable diameter 2.5 mm ... 5 mm

Your advantages

- Safe use in the field, thanks to a high degree of protection
- Insulation displacement connection: innovative and time-saving assembly without stripping the single wire

Connector - SACC-M 8FS-3QO-0,5-M



1441066

<https://www.phoenixcontact.com/gb/products/1441066>

Commercial Data

Order Key	1441066
Packing unit	1 pc
Minimum order quantity	1 pc
Sales Key	BF2BCA
Product Key	BF2BCA
Catalog Page	Page 16 (C-2-2019)
GTIN	4046356515955
Weight per Piece (including packing)	7.2 g
Weight per Piece (excluding packing)	6.6 g
Customs tariff number	85366990
Country of origin	DE

Connector - SACC-M 8FS-3QO-0,5-M



1441066

<https://www.phoenixcontact.com/gb/products/1441066>

Technical Data

Notes

Assembly instruction:

NOTE: Observe the permissible bending radii when laying conductors, since the degree of protection may be put in jeopardy if the bending forces are too high. Alleviate mechanical loads upstream of the connector, e.g. by using cable ties.

Product properties

Number of positions	3
Coding	A - standard

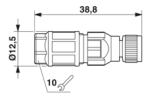
Insulation characteristics

Overvoltage category	II
Degree of pollution	3

Ambient conditions

Degree of protection	IP65 IP67
Ambient temperature (operation)	-25 °C ... 80 °C (Plug / socket)

Dimensions

Dimensional drawing	
Length	38.8 mm

External dimensions

Outside diameter	2.5 mm ... 5 mm ±0.2 mm
------------------	-------------------------

Housing

Diameter housing	12.5 mm
------------------	---------

Connector

Insertion/withdrawal cycles	≥ 100
-----------------------------	-------

Header 1

Head design	Socket
Head cable outlet	straight
Head thread type	M8
Coding	A-coded

Electrical properties

Rated surge voltage	0.8 kV
---------------------	--------

Connector - SACC-M 8FS-3QO-0,5-M



1441066

<https://www.phoenixcontact.com/gb/products/1441066>

Contact resistance	≤ 5 mΩ
Insulation resistance	≥ 100 MΩ
Nominal voltage U _N	48 V AC
	60 V DC
Nominal current I _N	4 A

Material specifications

Color Handle area	black
Flammability rating according to UL 94	HB
Sealing material	NBR
Material of grip body	PA 6
Contact material	CuSn
Contact surface material	Ni/Au
Contact carrier material	TPU GF
Cable gland material	Zinc die-cast, nickel-plated
Wire insulation material	PVC / PE / PP / rubber

Connection data

Connection technology

Connection method	Insulation displacement connection
Outside diameter	2.5 mm ... 5 mm ±0.2 mm

Conductor connection

Connection method	Insulation displacement connection
Conductor cross section flexible	0.25 mm ² ... 0.5 mm ²
Cross section AWG	24 ... 20

Pin assignment

Contact Color (signal designation) Contact (optional)	1 = BN
	3 = BU
	4 = BK

Standards and regulations

M8

Standards/specifications	IEC 61076-2-104
--------------------------	-----------------

Cable / line

Cable structure

Signal type/category	Universal
External cable diameter	2.5 mm ... 5 mm

Connector - SACC-M 8FS-3QO-0,5-M

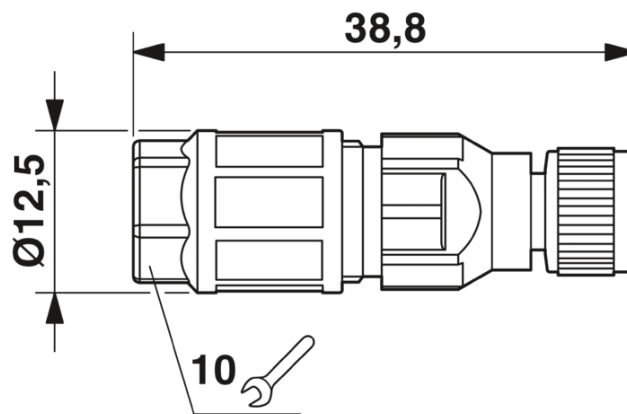


1441066

<https://www.phoenixcontact.com/gb/products/1441066>

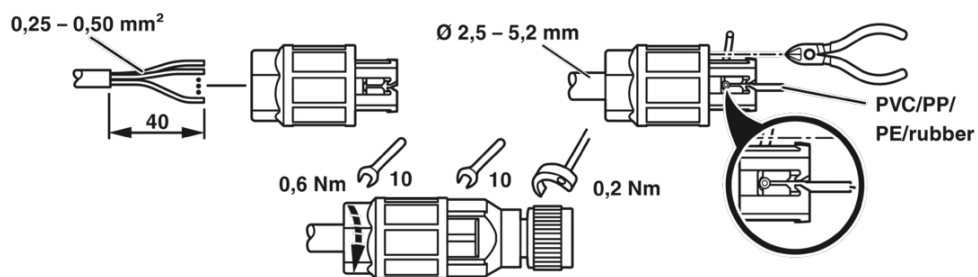
Drawings

Dimensional drawing



Socket M8 x 1, straight

Functional drawing



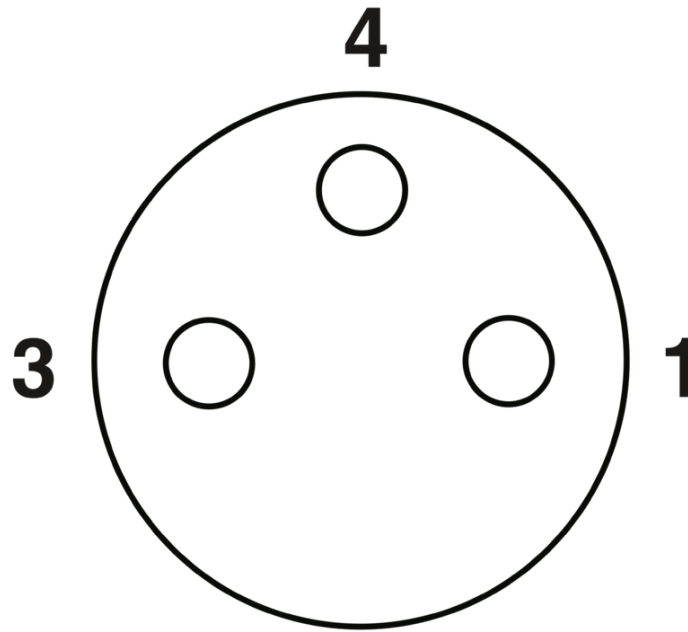
Connector - SACC-M 8FS-3QO-0,5-M



1441066

<https://www.phoenixcontact.com/gb/products/1441066>

Schematic diagram



Pin assignment of M8 socket, 3-pos., view of pin side


Connector - SACC-M 8FS-3QO-0,5-M




1441066

<https://www.phoenixcontact.com/gb/products/1441066>

Approvals

cUL Recognized 	Nominal Voltage U_N	Nominal Current I_N	Cross Section AWG	Cross Section mm^2
	29 V	4 A	24 - 20	-

UL Recognized 	Nominal Voltage U_N	Nominal Current I_N	Cross Section AWG	Cross Section mm^2
	29 V	4 A	24 - 20	-

EAC EAC EAC 

cULus Recognized

Connector - SACC-M 8FS-3QO-0,5-M



1441066

<https://www.phoenixcontact.com/gb/products/1441066>

Classifications

ECLASS

ECLASS-10.0.1	27440102
ECLASS-9.0	27440102
ECLASS-11.0	27440102

ETIM

ETIM 6.0	EC002062
----------	----------

UNSPSC

UNSPSC 19.0	39121413
UNSPSC 20.0	39121413
UNSPSC 21.0	39121413

Connector - SACC-M 8FS-3QO-0,5-M



1441066

<https://www.phoenixcontact.com/gb/products/1441066>

Environmental Product Compliance

China RoHS

Environmentally friendly use period: unlimited = EFUP-e

No hazardous substances above threshold values

Phoenix Contact 2022 © - all rights reserved

<https://www.phoenixcontact.com>

PHOENIX CONTACT Ltd

Halesfield 13, Telford

Shropshire, TF7 4PG

01952 681700

info@phoenixcontact.co.uk



**SCATTERGOOD
& JOHNSON LTD**
ELECTRICAL ENGINEERING & FLUID CONTROL DISTRIBUTORS

Est.1899

At Scattergood & Johnson Ltd, we pride ourselves on being a technical distributor to specialist industries.

Working with a range of quality product manufacturers across a number of specialist markets, we are not your average 'box shifter' - we are your technical and supply chain partner.

We fully support every product we sell - for free! Our internal team and external sales engineers can answer any product or application question, no matter the complexity.

Backing up this technical ability is a range of 50,000+ products available from stock for nationwide next day delivery (same day if required!), or you can collect what you need from any of our trade counters around the UK.

Select your specialist interest below to learn more about how we can help.



Online, In Branch and On the Road - Scattergood & Johnson Ltd, there when you need us.

www.scatts.co.uk