

## RJ45 connector - VS-08-RJ45-10G/Q - 1419001

Please be informed that the data shown in this PDF Document is generated from our Online Catalog. Please find the complete data in the user's documentation. Our General Terms of Use for Downloads are valid (<http://phoenixcontact.com/download>)



RJ45 connector, IP20, CAT6<sub>A</sub>, 8-pos., with QUICKON fast connection technology, for 26 ... 24 AWG 1-wire and 7-wire conductors, color: black


### Your advantages

- ✓ Easy, time-saving assembly without special tools with QUICKON fast connection technology
- ✓ Future-proof due to CAT6<sub>A</sub> with 10 Gbps
- ✓ Versatile use: cable 1-wire to 7-wire conductors AWG 26-24
- ✓ Can be used internationally with EAC B.01742, UL 1863, and CAN/CSA C22.2



**Ethernet**

### Key Commercial Data

Packing unit	1 pc
GTIN	 4 046356 521567
GTIN	4046356521567
Weight per Piece (excluding packing)	12.000 g
Custom tariff number	85366990
Country of origin	Germany
Sales Key	ABNAAC

### Technical data

#### Mechanical characteristics

Connection method	IDC fast connection
Minimum external conductor diameter	4.5 mm
Maximum external conductor diameter	8 mm
AWG solid min.	26
AWG solid max.	24
AWG multi-stranded min.	26
AWG multi-stranded max.	24
Insertion/withdrawal cycles	≥ 750

## RJ45 connector - VS-08-RJ45-10G/Q - 1419001

### Technical data

#### Mechanical characteristics

Number of positions	8
Degree of pollution	2
Cable outlet	straight
No. of cable outlets	1
Locking type	Locking clips
Conductor cross section	0.13 mm <sup>2</sup> ... 0.21 mm <sup>2</sup> (solid)
	0.14 mm <sup>2</sup> ... 0.23 mm <sup>2</sup> (7-wire)
Weight	12 g
Flammability rating according to UL 94	V2

#### Ambient conditions

Ambient temperature (operation)	-40 °C ... 70 °C
---------------------------------	------------------

#### Material data

Contact material	Cu/Sn
Contact carrier material	PC
Cable gland material	PA
Housing material	PA 6.6
Width	13.8 mm
Height	17.3 mm
Length	55.6 mm
Housing surface material 1	PA, black

#### Electrical characteristics

Number of positions	8
Nominal voltage U <sub>N</sub>	48 V
Nominal current I <sub>N</sub>	1.75 A
Transmission speed	10 Gbps
Transmission characteristics (category)	CAT6 <sub>A</sub> (IEC 60512-27-100:2008, TIA-568-C.2:2009)
GRP transmission properties	CAT6 <sub>A</sub> (IEC 60512-27-100:2008, TIA-568-C.2:2009) CAT6 <sub>A</sub> (IEC 60512-27-100:2008, TIA-568-C.2:2009)
Transmission speed	10 Gbps
Frequency range	to 500 MHz
Rated current	1.75 A
Degree of pollution	2
Contact resistance	0.001 Ω (Wire – IDC)
	0.005 Ω (Litz wires – IDC)
Rated voltage (III/3)	72 V (DC)
Insulation resistance	> 500 MΩ
Insertion/withdrawal cycles	≥ 750

#### Environmental Product Compliance

China RoHS	Environmentally friendly use period: unlimited = EFUP-e
------------	---

# RJ45 connector - VS-08-RJ45-10G/Q - 1419001

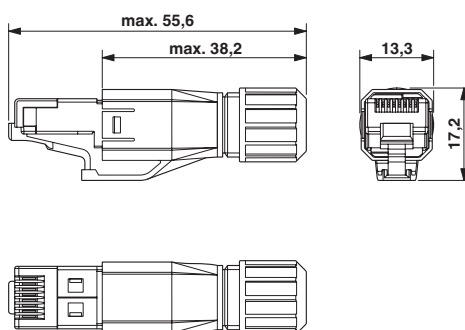
## Technical data

### Environmental Product Compliance

	No hazardous substances above threshold values
--	--

## Drawings

### Dimensional drawing



RJ45 connector, IP20

## Classifications

### eCl@ss

eCl@ss 10.0.1	27440101
eCl@ss 11.0	27440101
eCl@ss 4.0	27260700
eCl@ss 4.1	27260700
eCl@ss 5.0	27260700
eCl@ss 5.1	27260700
eCl@ss 6.0	27260700
eCl@ss 7.0	27440101
eCl@ss 9.0	27440101

### ETIM

ETIM 2.0	EC000764
ETIM 3.0	EC001121
ETIM 4.0	EC002641
ETIM 6.0	EC002636
ETIM 7.0	EC002636

### UNSPSC

UNSPSC 6.01	30211824
UNSPSC 7.0901	31261501
UNSPSC 11	31261501

# RJ45 connector - VS-08-RJ45-10G/Q - 1419001

## Classifications

### UNSPSC

UNSPSC 12.01	31261501
UNSPSC 13.2	39121409
UNSPSC 18.0	39121409
UNSPSC 19.0	39121409
UNSPSC 20.0	39121409
UNSPSC 21.0	39121409

## Approvals


### Approvals


#### Approvals

UL Listed / cUL Listed / EAC / cULus Listed

#### Ex Approvals

### Approval details

UL Listed		<a href="http://database.ul.com/cgi-bin/XYV/template/LISEXT/1FRAME/index.htm">http://database.ul.com/cgi-bin/XYV/template/LISEXT/1FRAME/index.htm</a> E335024-20150529
Nominal voltage UN		57 V
Nominal current IN		1.75 A

cUL Listed		<a href="http://database.ul.com/cgi-bin/XYV/template/LISEXT/1FRAME/index.htm">http://database.ul.com/cgi-bin/XYV/template/LISEXT/1FRAME/index.htm</a> E335024-20150529
Nominal voltage UN		57 V
Nominal current IN		1.75 A

EAC		B.01687
-----	---	---------

cULus Listed	
--------------	---

<https://www.phoenixcontact.com/gb/products/1419001>



Phoenix Contact 2022 © - all rights reserved  
<http://www.phoenixcontact.com>



# SCATTERGOOD & JOHNSON LTD

ELECTRICAL ENGINEERING & FLUID CONTROL DISTRIBUTORS

Est.1899

At Scattergood & Johnson Ltd, we pride ourselves on being a technical distributor to specialist industries.

Working with a range of quality product manufacturers across a number of specialist markets, we are not your average 'box shifter' - we are your technical and supply chain partner.

We fully support every product we sell - for free! Our internal team and external sales engineers can answer any product or application question, no matter the complexity.

Backing up this technical ability is a range of 50,000+ products available from stock for nationwide next day delivery (same day if required!), or you can collect what you need from any of our trade counters around the UK.

Select your specialist interest below to learn more about how we can help.



Online, In Branch and On the Road - Scattergood & Johnson Ltd, there when you need us.

# [www.scatts.co.uk](http://www.scatts.co.uk)