




MY POWER CONNECTION

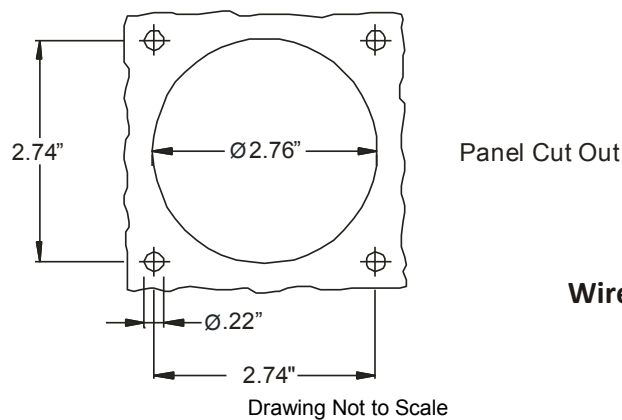
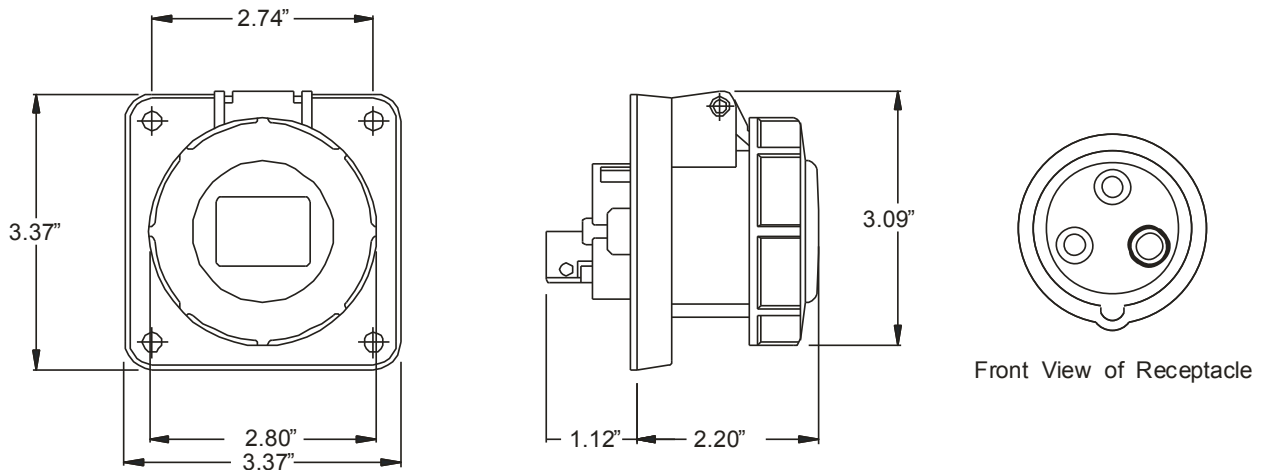
MENNEKES
Electrical Products
277 Fairfield Road
Fairfield, NJ 07004
800-882-7584
www.MENNEKES.com

RECEPTACLE, PANEL MOUNTED

Part No.	ME 320R4W
Description:	20 Amp 125Vac 2 Pole, 3 Wire Receptacle
Construction:	UL Type 4X; IEC IP 67 Watertight
Approvals:	 to UL Standards 1682; 1686 and CSA C22.2 No. 182.1 UL Locked Rotor HP Rating – 1 HP IEC 60309-1; IEC 60309-2

IEC COLOR CODE: Yellow

GROUND SOCKET: 4 Hour Position Mates with Male in 8 Hour Position.



Wire Range: #10-#14 AWG



**SCATTERGOOD
& JOHNSON LTD**
ELECTRICAL ENGINEERING & FLUID CONTROL DISTRIBUTORS

Est.1899

At Scattergood & Johnson Ltd, we pride ourselves on being a technical distributor to specialist industries.

Working with a range of quality product manufacturers across a number of specialist markets, we are not your average 'box shifter' - we are your technical and supply chain partner.

We fully support every product we sell - for free! Our internal team and external sales engineers can answer any product or application question, no matter the complexity.

Backing up this technical ability is a range of 50,000+ products available from stock for nationwide next day delivery (same day if required!), or you can collect what you need from any of our trade counters around the UK.

Select your specialist interest below to learn more about how we can help.



Online, In Branch and On the Road - Scattergood & Johnson Ltd, there when you need us.

www.scatts.co.uk