

Incremental Rotary Encoder OD 40 dia.

# E6B2-C

## General-Purpose Incremental Rotary Encoder With Large Shaft 40 dia.

- A wide operating voltage range from 5 to 24 VDC (open collector model).
- High resolution models (2000 pulses per revolution) substantially improve measuring accuracy
- Easy-to-adjust zero index (phase Z) with origin indicating function
- A large load of 30 N in the radial direction and 20 N in the thrust direction are permitted.
- The load short-circuit and reversed connection protecting circuit assure high operation reliability.
- Available with Line Driver output (100 m max. extension available)
- Shock resistance strengthened by metal disk. (600 P/R max.) (Patent)



## Ordering Information

### Sensors

Power supply voltage	Output form	Resolution (pulse/rotation)	Model
5 to 24 VDC	NPN open collector output	10, 20, 30, 40, 50, 60, 100, 200, 300, 360, 400, 500, 600, 720, 800, 1,000, 1,024, 1,200, 1,500, 1,800, 2,000	<b>E6B2-CWZ6C</b>
12 to 24VDC	PNP open collector output	100, 200, 360, 500, 600, 1,000, 2,000	<b>E6B2-CWZ5B</b>
5 to 12 VDC	NPN voltage output	10, 20, 30, 40, 50, 60, 100, 200, 300, 360, 400, 500, 600, 1,000, 1,200, 1,500, 1,800, 2,000	<b>E6B2-CWZ3E</b>
5 VDC	Line driver output	10, 20, 30, 40, 50, 60, 100, 200, 300, 360, 400, 500, 600, 1,000, 1,024, 1,200, 1,500, 1,800, 2,000	<b>E6B2-CWZ1X</b>

Note: When ordering, add the resolution (pulses per revolution) between the part number. For example, E6B2-CWZ6C 100 P/R.

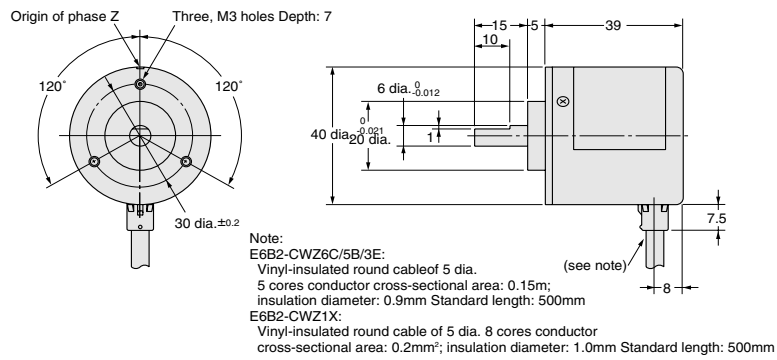
### Accessories (Order Separately)

Item	Model	Remarks
Coupling	<b>E69-C06B</b>	Attachment
	<b>E69-C68B</b>	Different end diameter
	<b>E69-C610B</b>	Different end diameter
	<b>E69-C06M</b>	Metal construction
Flanges	<b>E69-FBA</b>	---
	<b>E69-FBA02</b>	E69-2 Mounting Bracket included
Mounting Bracket	<b>E69-2</b>	---

## Dimensions (Unit: mm)

## Sensors

## E6B2



ALL DIMENSIONS SHOWN ARE IN MILLIMETERS.

To convert millimeters into inches, multiply by 0.03937. To convert grams into ounces, multiply by 0.03527.



**SCATTERGOOD  
& JOHNSON LTD**  
ELECTRICAL ENGINEERING & FLUID CONTROL DISTRIBUTORS

Est.1899

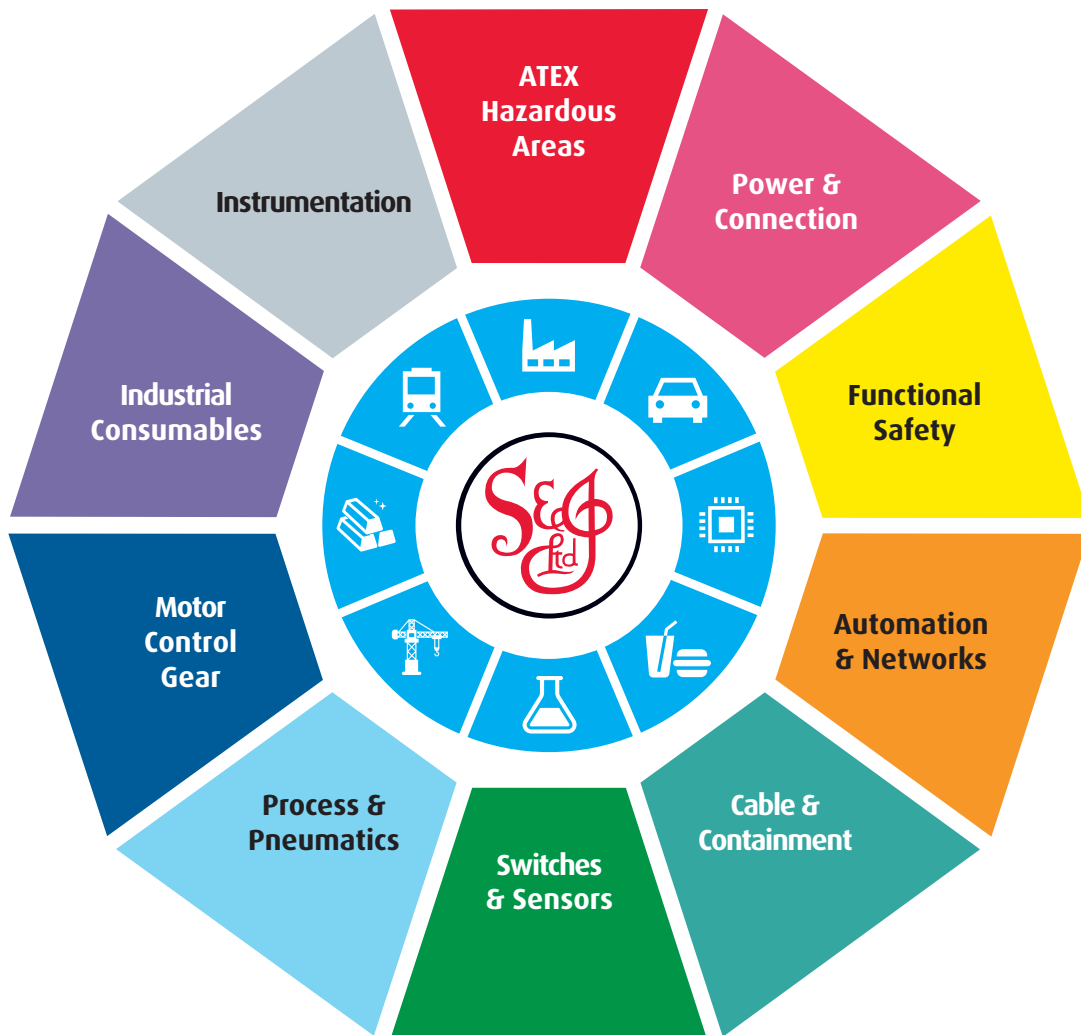
At Scattergood & Johnson Ltd, we pride ourselves on being a technical distributor to specialist industries.

Working with a range of quality product manufacturers across a number of specialist markets, we are not your average 'box shifter' - we are your technical and supply chain partner.

We fully support every product we sell - for free! Our internal team and external sales engineers can answer any product or application question, no matter the complexity.

Backing up this technical ability is a range of 50,000+ products available from stock for nationwide next day delivery (same day if required!), or you can collect what you need from any of our trade counters around the UK.

Select your specialist interest below to learn more about how we can help.



Online, In Branch and On the Road - Scattergood & Johnson Ltd, there when you need us.

**[www.scatts.co.uk](http://www.scatts.co.uk)**