

Rail adapters - USA 10

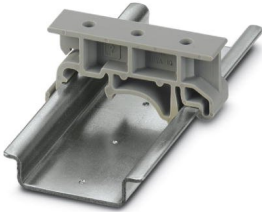
1201578

<https://www.phoenixcontact.com/gb/products/1201578>



Please be informed that the data shown in this PDF document is generated from our Online Catalog. Please find the complete data in the user documentation. Our General Terms of Use for Downloads are valid.

Rail adapters, for M3 screws, length: 42.6 mm, width: 10 mm, height: 19 mm, color: gray



Your advantages

- They allow fully insulated mounting of components or DIN rails
- The universal adapters are used to secure and hold electrical or electronic switching devices
- For self-cutting M3 screws

Rail adapters - USA 10

1201578

<https://www.phoenixcontact.com/gb/products/1201578>

Commercial Data

Order Key	1201578
Packing unit	25 pc
Minimum order quantity	25 pc
Sales Key	BE7114
Product Key	BE7114
Catalog Page	Page 545 (C-3-2019)
GTIN	4017918017392
Weight per Piece (including packing)	2.957 g
Weight per Piece (excluding packing)	2.957 g
Customs tariff number	39269097
Country of origin	DE

Rail adapters - USA 10



1201578

<https://www.phoenixcontact.com/gb/products/1201578>

Technical Data

Product properties

Product type	Mounting material
--------------	-------------------

Dimensions

Dimensional drawing	
Width	10 mm
Height	19 mm
Length	42.6 mm

Material specifications

Color	gray
Material	PA
Flammability rating according to UL 94	V2
Coating	uncoated
Static insulating material application in cold	-40 °C
Temperature index of insulation material (DIN EN 60216-1 (VDE 0304-21))	125 °C
Relative insulation material temperature index (Elec., UL 746 B)	125 °C

Environmental and real-life conditions

Ambient conditions

Ambient temperature (operation)	-60 °C ... 105 °C (max. short-term operating temperature RTI Elec.)
Ambient temperature (storage/transport)	-25 °C ... 60 °C (for a short time, not exceeding 24 h, -60 °C to +70 °C)
Ambient temperature (assembly)	-5 °C ... 70 °C
Ambient temperature (actuation)	-5 °C ... 70 °C
Permissible humidity (storage/transport)	30 % ... 70 %

Mounting

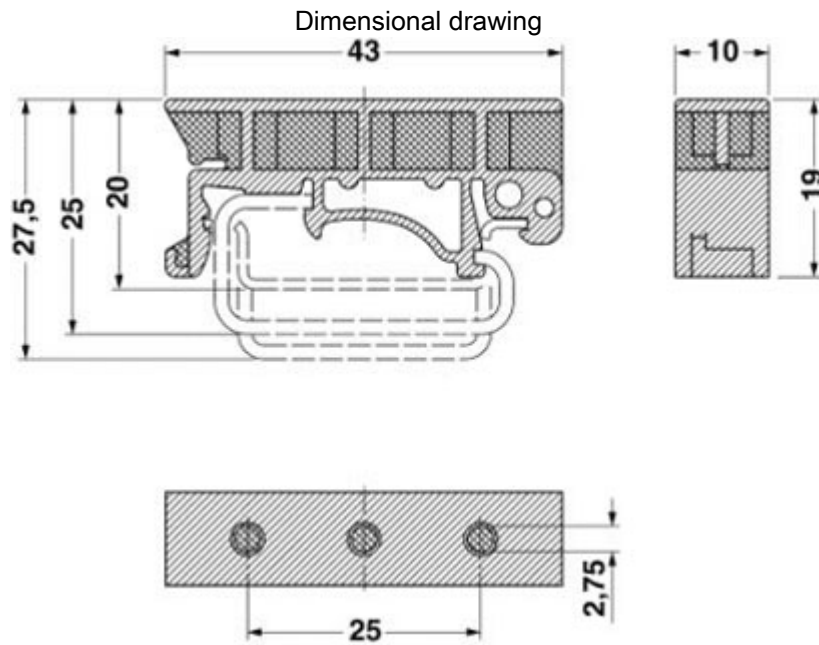
Mounting type	Plug-on assembly
---------------	------------------

Rail adapters - USA 10

1201578

<https://www.phoenixcontact.com/gb/products/1201578>

Drawings



Rail adapters - USA 10

1201578

<https://www.phoenixcontact.com/gb/products/1201578>

Classifications

ECLASS

ECLASS-9.0	27370419
ECLASS-10.0.1	27370419
ECLASS-11.0	27370419

ETIM

	EC001024
--	----------

UNSPSC

UNSPSC 21.0	39121708
-------------	----------

Rail adapters - USA 10

1201578

<https://www.phoenixcontact.com/gb/products/1201578>



Environmental Product Compliance

China RoHS

Environmentally friendly use period: unlimited = EFUP-e

No hazardous substances above threshold values

Phoenix Contact 2022 © - all rights reserved
<https://www.phoenixcontact.com>

PHOENIX CONTACT Ltd
Halesfield 13, Telford
Shropshire, TF7 4PG
01952 681700
info@phoenixcontact.co.uk



**SCATTERGOOD
& JOHNSON LTD**
ELECTRICAL ENGINEERING & FLUID CONTROL DISTRIBUTORS

Est.1899

At Scattergood & Johnson Ltd, we pride ourselves on being a technical distributor to specialist industries.

Working with a range of quality product manufacturers across a number of specialist markets, we are not your average 'box shifter' - we are your technical and supply chain partner.

We fully support every product we sell - for free! Our internal team and external sales engineers can answer any product or application question, no matter the complexity.

Backing up this technical ability is a range of 50,000+ products available from stock for nationwide next day delivery (same day if required!), or you can collect what you need from any of our trade counters around the UK.

Select your specialist interest below to learn more about how we can help.



Online, In Branch and On the Road - Scattergood & Johnson Ltd, there when you need us.

www.scatts.co.uk