

# Product datasheet

Specifications



## pendant station XAC-A pistol grip - 2 booted push buttons

Local distributor code: 386205325 XACA215

### Main

Range of product	Harmony XAC
Product or component type	Pendant control station
Device short name	XACA pistol grip

### Complementary

Control station type	Double insulated
Enclosure material	Polypropylene
Control type	Intuitive
Electrical circuit type	Control circuit
Enclosure type	Complete ready for use
Control station application	Control of single speed hoist motor
Control station composition	2 booted push-buttons
Control button type	First push-button 1 NC + 1 NO raise, slow Second push-button 1 NC + 1 NO lower, slow
Product compatibility	ZB2BE102 + ZB2BE101 for each direction
Mechanical interlocking	With mechanical interlocking
Control station colour	Yellow
Connections - terminals	Screw clamp terminals, 1 x 2.5 mm <sup>2</sup> with or without cable end Screw clamp terminals, 2 x 1.5 mm <sup>2</sup> with or without cable end
Standards	EN/ISO 13850: 2006 UL 508 EN/IEC 60204-32 CSA C22.2 No 14 EN/IEC 60947-5-1 EN/IEC 60947-5-5
Product certifications	UL CSA
Protective treatment	TH
Ambient air temperature for operation	-25...70 °C
Ambient air temperature for storage	-40...70 °C
Vibration resistance	15 gn (f= 10...500 Hz) conforming to IEC 60068-2-6
Shock resistance	100 gn conforming to IEC 60068-2-27

Disclaimer: This documentation is not intended as a substitute for and is not to be used for determining suitability or reliability of these products for specific user applications

<b>Overvoltage category</b>	Class II conforming to IEC 61140
<b>IP degree of protection</b>	IP65 conforming to IEC 60529
<b>IK degree of protection</b>	IK08 conforming to EN 50102
<b>Mechanical durability</b>	1000000 cycles
<b>Cable entry</b>	Rubber sleeve with stepped entry 7...15 mm
<b>Contact code designation</b>	A600 AC-15, U <sub>e</sub> = 240 V, I <sub>e</sub> = 3 A conforming to IEC 60947-5-1 appendix A A600 AC-15, U <sub>e</sub> = 600 V, I <sub>e</sub> = 1.2 A conforming to IEC 60947-5-1 appendix A Q600 DC-13, U <sub>e</sub> = 250 V, I <sub>e</sub> = 0.27 A conforming to IEC 60947-5-1 appendix A Q600 DC-13, U <sub>e</sub> = 600 V, I <sub>e</sub> = 0.1 A conforming to IEC 60947-5-1 appendix A
<b>[I<sub>th</sub>e] conventional enclosed thermal current</b>	10 A
<b>[U<sub>i</sub>] rated insulation voltage</b>	600 V (pollution degree 3) conforming to IEC 60947-1
<b>[U<sub>imp</sub>] rated impulse withstand voltage</b>	6 kV conforming to IEC 60947-1
<b>Contact operation</b>	Slow-break
<b>Maximum resistance across terminals</b>	25 MOhm
<b>Operating force</b>	13...15 N
<b>Short-circuit protection</b>	10 A fuse protection by cartridge fuse type gG
<b>Rated operational power in W</b>	40 W DC-13 for 1000000 cycles, operating rate <60 cyc/mn at 120 V, load factor = 0.5 (inductive load) conforming to IEC 60947-5-1 appendix C 48 W DC-13 for 1000000 cycles, operating rate <60 cyc/mn at 48 V, load factor = 0.5 (inductive load) conforming to IEC 60947-5-1 appendix C 65 W DC-13 for 1000000 cycles, operating rate <60 cyc/mn at 24 V, load factor = 0.5 (inductive load) conforming to IEC 60947-5-1 appendix C
<b>Terminals description ISO n°1</b>	(13-14)NO (11-12)NC
<b>Terminal identifier</b>	(11-12)NC (13-14)NO
<b>Net weight</b>	0.32 kg

## Packing Units

<b>Unit Type of Package 1</b>	PCE
<b>Number of Units in Package 1</b>	1
<b>Package 1 Weight</b>	294 g
<b>Package 1 Height</b>	6.1 cm
<b>Package 1 width</b>	8.9 cm
<b>Package 1 Length</b>	30.6 cm
<b>Unit Type of Package 2</b>	S03
<b>Number of Units in Package 2</b>	15
<b>Package 2 Weight</b>	4.951 kg
<b>Package 2 Height</b>	30 cm
<b>Package 2 width</b>	30 cm
<b>Package 2 Length</b>	40 cm
<b>Unit Type of Package 3</b>	P06
<b>Number of Units in Package 3</b>	120
<b>Package 3 Weight</b>	49.844 kg
<b>Package 3 Height</b>	77 cm
<b>Package 3 width</b>	60 cm
<b>Package 3 Length</b>	80 cm

## Offer Sustainability

<b>Sustainable offer status</b>	Green Premium product
<b>REACH Regulation</b>	<a href="#">REACH Declaration</a>
<b>REACH free of SVHC</b>	Yes
<b>EU RoHS Directive</b>	Pro-active compliance (Product out of EU RoHS legal scope) <a href="#">EU RoHS Declaration</a>
<b>Toxic heavy metal free</b>	Yes
<b>Mercury free</b>	Yes
<b>RoHS exemption information</b>	<a href="#">Yes</a>
<b>China RoHS Regulation</b>	<a href="#">China RoHS declaration</a>
<b>Environmental Disclosure</b>	<a href="#">Product Environmental Profile</a>
<b>WEEE</b>	The product must be disposed on European Union markets following specific waste collection and never end up in rubbish bins

## Contractual warranty

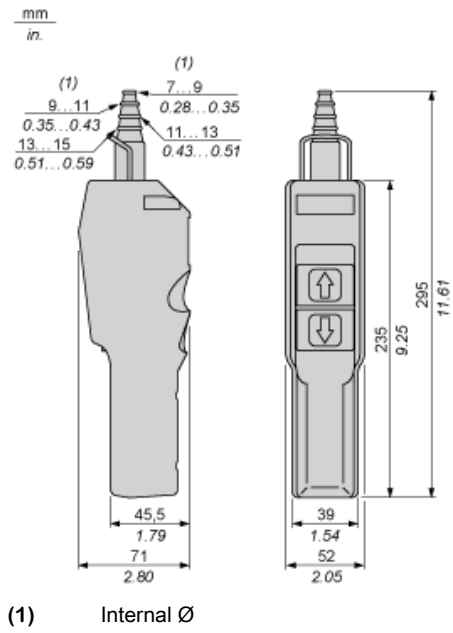
<b>Warranty</b>	18 months
-----------------	-----------

# Product datasheet

## Dimensions Drawings

# XACA215

### Dimensions



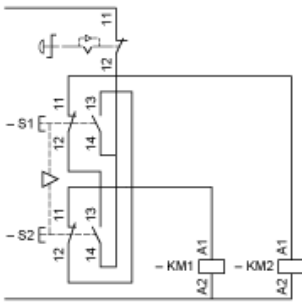
# Product datasheet

## Connections and Schema

# XACA215

## Control of Single-Speed Reversing Motor

---



# Product datasheet

## Performance Curves

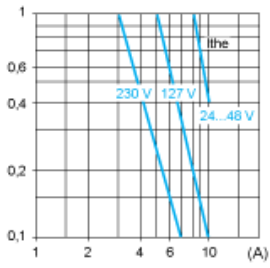
# XACA215

### Rated Operational Power

#### AC Supply 50/60 Hz Inductive Circuit

Operating rate: 3600 operating cycles/hour. Load factor: 0.5.

Millions of operating cycles, AC-15 utilization category



**I<sub>the</sub>** Thermal current  
**(A)** Current

#### DC Supply

Operating rate: 3600 operating cycles/hour. Load factor: 0.5.

Power broken in W for 1 million operating cycles, DC-13 utilization category

Voltage	V	24	48	120
Inductive circuit	W	65	48	40



**SCATTERGOOD  
& JOHNSON LTD**  
ELECTRICAL ENGINEERING & FLUID CONTROL DISTRIBUTORS

Est.1899

At Scattergood & Johnson Ltd, we pride ourselves on being a technical distributor to specialist industries.

Working with a range of quality product manufacturers across a number of specialist markets, we are not your average 'box shifter' - we are your technical and supply chain partner.

We fully support every product we sell - for free! Our internal team and external sales engineers can answer any product or application question, no matter the complexity.

Backing up this technical ability is a range of 50,000+ products available from stock for nationwide next day delivery (same day if required!), or you can collect what you need from any of our trade counters around the UK.

Select your specialist interest below to learn more about how we can help.



Online, In Branch and On the Road - Scattergood & Johnson Ltd, there when you need us.

**[www.scatts.co.uk](http://www.scatts.co.uk)**