

SKINTOP® MS-SC-M

SKINTOP® MS-SC-M, brass cable gland with low-resistance screen contact and highly conductive, flexible EMC contact, easy to assemble

Info

Also available as lead-free version - the lead-free articles end on LF after the article number



Reliability



Voltage



Interference signals



Temperature-resistant

Benefits

Low-resistance screen contact, optimum EMC protection

Suitable for cables with and without inner sheath

Also suitable for continuing the cable screen to another connection

Highly conductive, flexible EMC contact for clamping various screen diameters

Few operation steps, easy to assemble

Application range

For EMC-compliant earthing of the copper braiding

Telecommunication

Industrial machinery and plant engineering

Measurement and control technology

Automation technology

Last Update (21.02.2022)

©2022 Lapp Group - Technical changes reserved

Product Management www.lappkabel.de

You can find the current technical data in the corresponding data sheet.

PN 0456 / 02_03.16

SKINTOP® MS-SC-M

Norm references / Approvals

UL File Nr. E79903

Product Make-up

Metric connection thread acc. to DIN EN 60423

Basis for technical information DIN IEC 62444

Note

SKINDICHT® SM-PE-M counter nut should be used to ensure optimum contact with painted, anodised or powder-coated housings

Technical Data

Classification ETIM 5:	ETIM 5.0 Class-ID: EC000441 ETIM 5.0 Class-Description: Cable screw gland
Classification ETIM 6:	ETIM 6.0 Class-ID: EC000441 ETIM 6.0 Class-Description: Cable screw gland
Caution:	Refer to Appendix T21 for the installation dimensions and torques
Note:	In stainless steel V2A available
Material:	Body: nickel-plated brass Insert: polyamide Sealing: CR O-ring: NBR
Protection rating:	IP 68 - 10 bar IP 69 NEMA Type 1, 4x, 6, 12
Temperature range:	Dynamic: -25°C up to +100°C Fixed: -40°C up to +100°C

Note

Photographs and graphics are not to scale and do not represent detailed images of the respective products.

Prices are net prices without VAT and surcharges. Sale to business customers only.

SKINTOP® MS-SC-M

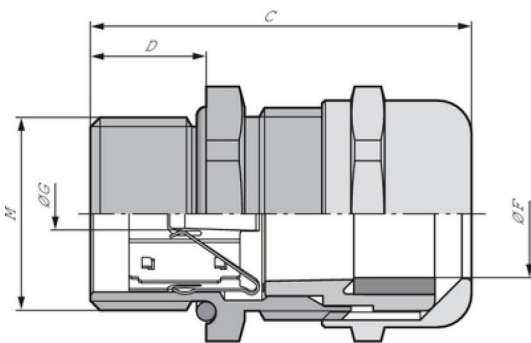
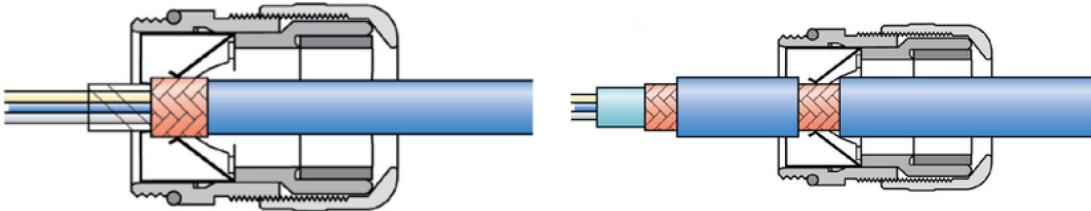
Article number	Article designation / size	Outer Ø (mm), from - to	Minimum Ø above braiding (mm)	SW wrench size mm	Thread length D mm	Pieces / PU
SKINTOP® MS-SC-M						
53112610	M 12 x 1,5	3.5 - 7.0	1	16	6.5	50
53112620	M 16 x 1,5	4.5 - 10.0	4	20	7	50
53112630	M 20 x 1,5	7.0 - 13.0	5	24	8	25
53112640	M 25 x 1,5	9.0 - 17.0	7.5	29	8	25
53112650	M 32 x 1,5	11.0 - 21.0	9	36	9	25
53112660	M 40 x 1,5	19.0 - 28.0	15	45	9	10
53112670	M 50 x 1,5	27.0 - 35.0	21	54	10	5
SKINTOP® MS-SC-M-XL						
53112625	M 16 x 1,5	4.5 - 10.0	4	20	12	50
53112635	M 20 x 1,5	7.0 - 13.0	5	24	12	25
53112645	M 25 x 1,5	9.0 - 17.0	7.5	29	12	25
53112655	M 32 x 1,5	11.0 - 21.0	9	36	15	25
53112665	M 40 x 1,5	19.0 - 28.0	15	45	15	10
53112675	M 50 x 1,5	27.0 - 35.0	21	54	15	5
SKINTOP® MS-SC-M - Lead-free brass version						
53112610LF	M 12 x 1,5	3.5 - 7.0	1	16	6.5	50
53112620LF	M 16 x 1,5	4.5 - 10.0	4	20	7	50
53112630LF	M 20 x 1,5	7.0 - 13.0	5	24	8	25
53112640LF	M 25 x 1,5	9.0 - 17.0	7.5	29	8	25
53112650LF	M 32 x 1,5	11.0 - 21.0	9	36	9	25
53112660LF	M 40 x 1,5	19.0 - 28.0	15	45	9	10
53112670LF	M 50 x 1,5	27.0 - 35.0	21	54	10	5

Last Update (21.02.2022)

©2022 Lapp Group - Technical changes reserved

Product Management www.lappkabel.de

You can find the current technical data in the corresponding data sheet.
PN 0456 / 02_03_16

SKINTOP® MS-SC-M

Last Update (21.02.2022)

©2022 Lapp Group - Technical changes reserved

Product Management www.lappkabel.de

You can find the current technical data in the corresponding data sheet.

PN 0456 / 02_03.16



**SCATTERGOOD
& JOHNSON LTD**
ELECTRICAL ENGINEERING & FLUID CONTROL DISTRIBUTORS

Est.1899

At Scattergood & Johnson Ltd, we pride ourselves on being a technical distributor to specialist industries.

Working with a range of quality product manufacturers across a number of specialist markets, we are not your average 'box shifter' - we are your technical and supply chain partner.

We fully support every product we sell - for free! Our internal team and external sales engineers can answer any product or application question, no matter the complexity.

Backing up this technical ability is a range of 50,000+ products available from stock for nationwide next day delivery (same day if required!), or you can collect what you need from any of our trade counters around the UK.

Select your specialist interest below to learn more about how we can help.



Online, In Branch and On the Road - Scattergood & Johnson Ltd, there when you need us.

www.scatts.co.uk