

Female connector, field-attachable

V1-W-BK

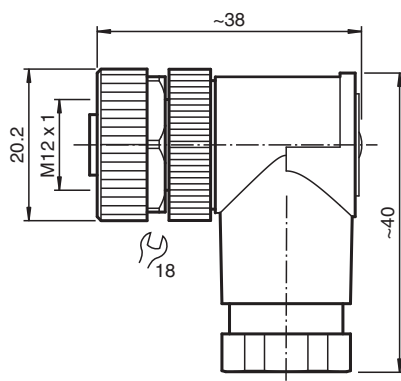


- Field-attachable
- Metal locking
- Knurled nut suitable for tool assembly
- cURus approval

Female connector M12 angled A-coded 4-pin, for cable diameter 4 - 6 mm, field-attachable



Dimensions



Technical Data

General specifications

Connector 1		
Connection	socket	
Construction type	M12	
Style	angled	
Locking	screw connection	
Number of pins	4	
Coding	A-coded	
Customization	Coding rotateable in steps of 90°	
UL File Number	E363587	

Electrical specifications

Operating voltage	U_B	max. 250 V AC/DC
Operating current	I_B	max. 4 A
Insulation resistance	min. 100 MΩ	

Conformity

Degree of protection	EN 60529	
Plug connection	connector M12 x 1 : IEC 61076-2-101	

Release date: 2021-12-08 Date of issue: 2021-12-08 Filename: 224884_eng.pdf

Refer to "General Notes Relating to Pepperl+Fuchs Product Information".

Pepperl+Fuchs Group
www.pepperl-fuchs.com

USA: +1 330 486 0001
fa-info@us.pepperl-fuchs.com

Germany: +49 621 776 1111
fa-info@de.pepperl-fuchs.com

Singapore: +65 6779 9091
fa-info@sg.pepperl-fuchs.com

PEPPERL+FUCHS

Technical Data

Ambient conditions

Ambient temperature	-40 ... 85 °C (-40 ... 185 °F)
Pollution degree	3

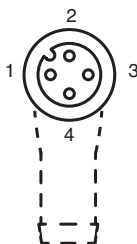
Mechanical specifications

Plug connector	
Tightening torque	0.6 Nm
Tool installation	straight knurling , hexagon nut SW = 18 mm
Mating cycles	min. 50
Degree of protection	IP67
Connection	screw terminals for max. 0.75 mm ² / AWG 18
Cable	
Sheath diameter	4 ... 6 mm
Mass	23.19 g

Material

Plug connector	
Screw connection	CuZn, nickel-plated
Body	PA, black
Contact surface	CuSnZn

Connection Assignment





**SCATTERGOOD
& JOHNSON LTD**
ELECTRICAL ENGINEERING & FLUID CONTROL DISTRIBUTORS

Est.1899

At Scattergood & Johnson Ltd, we pride ourselves on being a technical distributor to specialist industries.

Working with a range of quality product manufacturers across a number of specialist markets, we are not your average 'box shifter' - we are your technical and supply chain partner.

We fully support every product we sell - for free! Our internal team and external sales engineers can answer any product or application question, no matter the complexity.

Backing up this technical ability is a range of 50,000+ products available from stock for nationwide next day delivery (same day if required!), or you can collect what you need from any of our trade counters around the UK.

Select your specialist interest below to learn more about how we can help.



Online, In Branch and On the Road - Scattergood & Johnson Ltd, there when you need us.

www.scatts.co.uk