

Nylon adaptors and reducers - AJ and BJ

Technical specification

Raxton Exe adaptors and reducers effectively reduce the threaded entry diameter of an enclosure to accept a gland or fitting with a smaller thread. Reducers may also be supplied to accept smaller glands of alternative threads.

Nylon adaptors and reducers are Exe only and designed with a circular head. Parallel threaded Exe adaptors and reducers are supplied with an undercut and EPDM O-ring to maintain the IP integrity of the installation. Raxton adaptors and reducers are marked with the applicable approval number and size.



Type AJ Round



Type BJ Round

Certifications and compliances



Code of protection categories

ATEX: Ex eb IIC Gb, Ex tb IIIC Db

IECEX/

INMETRO/

EAC: Ex e IIC Gb, Ex tb IIIC Db

CCC: Ex d IIC Gb, Ex e IIC Gb, Ex tD A21 IP6X

Compliance standards

ATEX / EAC: EN 60079-0, EN 60079-7, EN 60079-31

INMETRO: ABNT NBR IEC 60079-0, ABNT NBR IEC 60079-7, ABNT NBR IEC 60079-31

IECEX: IEC 60079-0, IEC 60079-7, IEC 60079-31

CCC: GB 3836.1-2010, GB 3836.2-2010, GB 3836.3-2010, GB 12476.1-2013, GB 12476.5-2013

Certificate details

ATEX: ITS16ATEX101336X

IECEX: IECEX ITS16.0011X

EAC: TC RUC-G B.MIO62.B.00447/19

INMETRO: NCC 18.0133X

CCC: 2020322313001350 (Adaptors), 2020322313001351 (Reducers)

Temperature

The item is classified as a component.

Nylon temperature range: -30°C to +90°C.

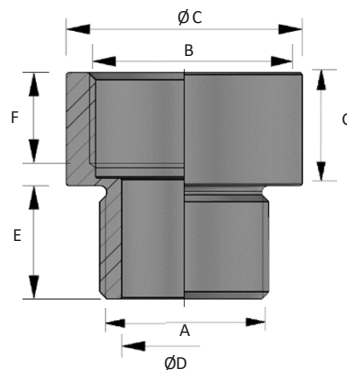
EPDM O-ring: -50°C to +100°C (standard)

Silicone O-ring: -60°C to +180°C (option)

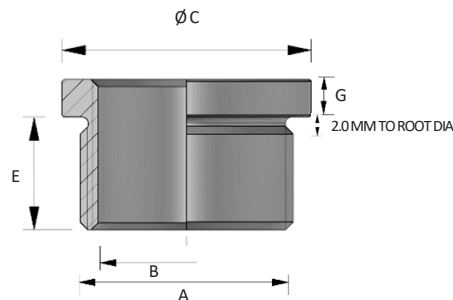
Ingress protection (IP)

Independently tested to IP66 / IP68 when fitted in accordance to manufacturer's instructions.

Type AJ



Type BJ



Nylon adaptors and reducers - AJ and BJ

Dimensions

Type AJ

Other sizes / threads are available upon request.

A	B	C	ØD	E	F	G
Male	Female	Diam	Bore	Thread length	Thread depth	Total length
Pg9	M16	27.5	8.0	15.0	15.0	20.0
	M20	27.5	8.0	15.0	15.0	20.0
Pg11	M16	27.5	11.1	15.0	15.0	20.0
	M20	27.5	11.1	15.0	15.0	20.0
	M25	35.5	11.1	15.0	15.0	20.0
Pg13.5	M20	27.5	12.9	15.0	15.0	20.0
	M25	35.5	12.9	15.0	15.0	20.0
Pg16	M20	27.5	15.0	15.0	15.0	20.0
	M25	35.5	15.0	15.0	15.0	20.0
Pg21	M25	35.5	20.8	15.0	15.0	20.0
	M32	41.0	20.8	15.0	15.0	20.0
	M40	48.0	20.8	15.0	15.0	20.0
Pg29	M40	53.0	29.5	15.0	15.0	20.0
	M50	63.0	29.5	15.0	15.0	20.0
Pg36	M50	63.0	39.5	15.0	15.0	20.0
	M63	80.0	39.5	15.0	15.0	20.0
Pg42	M50	63.0	46.5	15.0	15.0	20.0
	M63	80.0	46.5	15.0	15.0	20.0
Pg48	M63	80.0	51.8	15.0	15.0	20.0
	M75	90.0	51.8	15.0	15.0	20.0

Type BJ

Other sizes / threads are available upon request.

A	B	C	E	G
Male	Female	Diam	Thread length	Diam length
M20	M16 & BELOW	25.0	15.0	5.0
M25	M20 & BELOW	30.0	15.0	5.0
M32	M25 & BELOW	38.0	15.0	5.0
M40	M32 & BELOW	46.0	15.0	5.0
M50	M40 & BELOW	56.0	15.0	5.0
M63	M50 & BELOW	70.0	15.0	5.0

Note : Pg used as reference, dimensions also apply for other equivalent threads.

Nylon adaptors and reducers – Product coding

DIGIT 1+2		CODE
Product	Description	
ADAPTORS	M-F ROUND	AJ
REDUCERS	M-F ROUND	BJ

DIGIT 3	CODE
MATERIAL	
GLASS FILLED NYLON	M

DIGIT 4+5 (Male thread)

DIGIT 6+7 (Female thread)

THREAD REFERENCE TABLE

ISOMETRIC		NPT		BSPT		BSPP		NPSM		PG		ET	
SIZE	CODE	SIZE	CODE	SIZE	CODE	SIZE	CODE	SIZE	CODE	SIZE	CODE	SIZE	CODE
M12	04	½"	42	½"	52	½"	62	½"	72	PG7	20	⅜"	31
M16	11	¾"	43	¾"	53	¾"	63	¾"	73	PG9	21	¾"	32
M20	12	1"	44	1"	54	1"	64	1"	74	PG11	22	1"	33
M22	07	1¼"	45	1¼"	55	1¼"	65	1¼"	75	PG13,5	23	1¼"	34
M24	08	1½"	46	1½"	56	1½"	66	1½"	76	PG16	24	1½"	35
M25	13	2"	47	2"	57	2"	67	2"	77	PG21	25	2"	36
M28	09	2½"	48	2½"	58	2½"	68	2½"	78	PG29	26	2½"	37
M32	14	3"	49	3"	59	3"	69	3"	79	PG36	27	3"	38
M38	05	3½"	86	4"	79	4"	89	3½"	90	PG42	28		
M40	15	4"	87	SPECIAL	50	SPECIAL	60	4"	70	PG48	29		
M50	16	SPECIAL	40					SPECIAL	70				
M63	17												
M75	18												
M80	80												
M90	81												
M100	82												
SPECIAL	10												

DIGIT 8 (APPROVAL)	CODE
Nylon Exe only	E
None	F

DIGIT 9 (UNDERCUT)	CODE
Yes	U
None	X or Blank

DIGIT 10 (PLATING)	CODE
None	Blank

NOTE: Male thread is always quoted First (Digit 4+5) followed by the Female thread (Digit 6+7)
 Other threads are available, please consult the sales department
 Digit 8: Approval
 Digit 9: U = Undercut Otherwise

EXAMPLES							
Product	Material	Male thread	Female thread	Approval	Undercut	Plating	
Adaptor	GF Nylon	½" NPT	M20	Nylon Exe only	None	None	Part Number
AJ	M	42	12	E	Blank	Blank	AJM4212E
Reducer	GF Nylon	M50	1"NPT	None	Yes	None	Part Number
BJ	M	16	44	F	U	Blank	BJM1644FU



**SCATTERGOOD
& JOHNSON LTD**
ELECTRICAL ENGINEERING & FLUID CONTROL DISTRIBUTORS

Est.1899

At Scattergood & Johnson Ltd, we pride ourselves on being a technical distributor to specialist industries.

Working with a range of quality product manufacturers across a number of specialist markets, we are not your average 'box shifter' - we are your technical and supply chain partner.

We fully support every product we sell - for free! Our internal team and external sales engineers can answer any product or application question, no matter the complexity.

Backing up this technical ability is a range of 50,000+ products available from stock for nationwide next day delivery (same day if required!), or you can collect what you need from any of our trade counters around the UK.

Select your specialist interest below to learn more about how we can help.



Online, In Branch and On the Road - Scattergood & Johnson Ltd, there when you need us.

www.scatts.co.uk