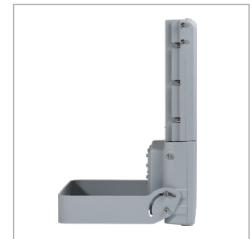


SPARTAN SPZ

LED Zone 2/22 Mid Power Floodlight



rayTEC®



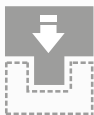
Power / Performance

High lumen output up to 15,000 lumens, designed to directly replace traditional discharge light sources up to 250W SON.



Robust and Durable

Robust and durable construction from marine grade aluminium and with a wide operating temperature for even the most challenging conditions.



Easy Maintenance

Featuring a unique modular design, key components are easily accessible for straightforward maintenance and inspection.



Multiple Beam Angles

Available with a range of beam patterns to effectively light up large open areas. The use of secondary optics means no loss of output on wider angles.

5 YEAR WARRANTY

All Raytec luminaires are provided with an industry leading 5 year warranty and have an expected useful life in excess of 10 years. See Warranty Statement for details.



Technical Specifications

Certification

ATEX Rating	ATEX, UKEX and IEC Ex rated for Gas and Dust
Hazardous Area Rating	Zone 2 (Gas), Zone 22 (Dust)
Certificates	CML21ATEX3320 & IEC Ex CML21.0038 or CML21UKEX3321
Gas	II 3 G D Ex ec mc IIC T4 Gc Ta= -40°C to +60°C
Dust	Ex tc IIIC T90°C Dc Ta= -40°C to +60°C

Electrical

	5K	7.5K	10K	12.5K	15K
Input	110-277V 50/60Hz AC only				
Power	40W	60W	80W	100W	120W
Termination	Incoming terminal block suitable for looping 4 core 4mm ² cable				
Power Factor	>0.95	>0.95	>0.95	>0.95	>0.95
Cable Entries	2xM20 as standard (other entries available upon request), dispatched complete with one ATEX/IEC Ex/UKEX approved blanking plug				

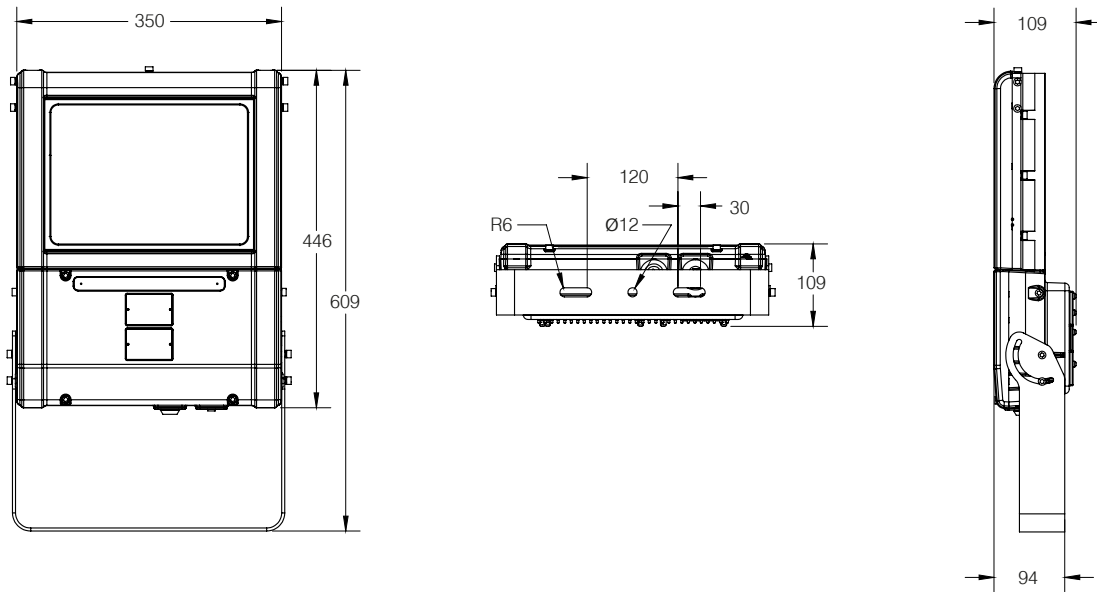
Optical

	5K	7.5K	10K	12.5K	15K
Beam Patterns	30° x 30° or 60° x 60° or 90° x 90° or 120° x 15° or 10° x 10°				
Lumen Output (upto)	5,149lm	7,663lm	10,298lm	12,873lm	15,325lm
LED Type	Platinum Elite SMT LEDs	Platinum Elite SMT LEDs	Platinum Elite SMT LEDs	Platinum Elite SMT LEDs	Platinum Elite SMT LEDs
Number of LEDs	24	24	48	48	48
CRI	70+	70+	70+	70+	70+
Colour Temperature	5,700K	5,700K	5,700K	5,700K	5,700K

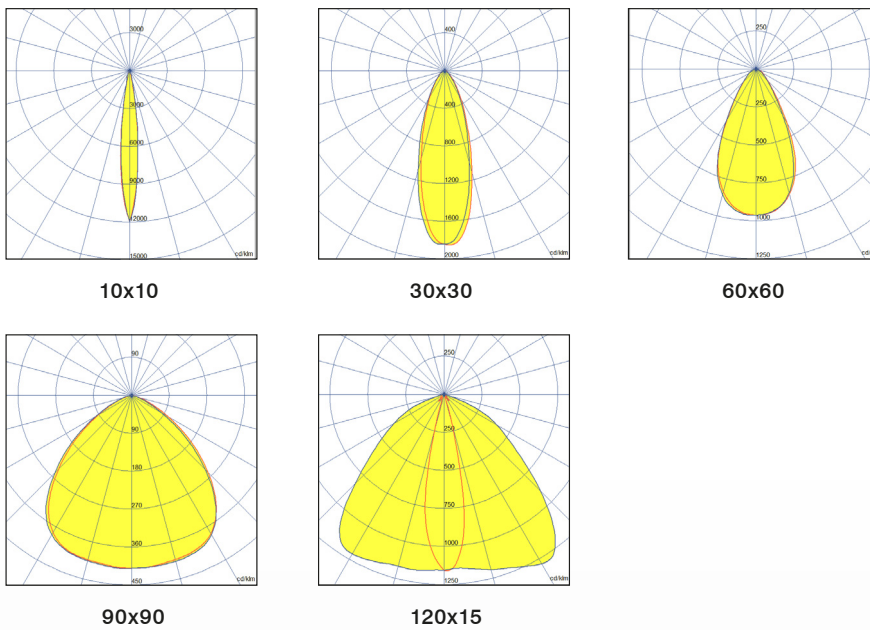
Mechanical

	5K	7.5K	10K	12.5K	15K
Burning Position	Universal	Universal	Universal	Universal	Universal
IP Rating	IP66 & IP67	IP66 & IP67	IP66 & IP67	IP66 & IP67	IP66 & IP67
Temperature Range	-40°C to +60°C	-40°C to +60°C	-40°C to +60°C	-40°C to +60°C	-40°C to +60°C
Weight	13.2kg (29.1lbs)	13.2kg (29.1lbs)	13.2kg (29.1lbs)	13.2kg (29.1lbs)	13.2kg (29.1lbs)
Enclosure	Marine grade aluminium epoxy powder coated, toughened glass, all external fasteners and brackets are marine grade stainless steel				
Unit Colour	Silver (RAL 9006)				
Installation Instructions	Please see document 1250-D-00005 at www.raytecltd.com				
Dimensions	350mm x 609mm x 109mm (13.9 x 24 x 4.3")				
Mounting	Stirrup bracket (see dimension drawings on Page 3)				

Product Dimensions



Beam patterns



Part Code Builder

SPARTAN Mid Power Flood

Example - SPZ-MPFL15K-W-9090

Family	Model	Light Type	Optics	CCT	Entry
SPZ	MPFL5K	W- White Light	3030	Not Stated - 5700K	Not Stated - M20
	MPFL7K5		6060	4K - 4000K	M25
	MPFL10K		9090		
	MPFL12K5		12015		
	MPFL15K		1010		



**SCATTERGOOD
& JOHNSON LTD**
ELECTRICAL ENGINEERING & FLUID CONTROL DISTRIBUTORS

Est.1899

At Scattergood & Johnson Ltd, we pride ourselves on being a technical distributor to specialist industries.

Working with a range of quality product manufacturers across a number of specialist markets, we are not your average 'box shifter' - we are your technical and supply chain partner.

We fully support every product we sell - for free! Our internal team and external sales engineers can answer any product or application question, no matter the complexity.

Backing up this technical ability is a range of 50,000+ products available from stock for nationwide next day delivery (same day if required!), or you can collect what you need from any of our trade counters around the UK.

Select your specialist interest below to learn more about how we can help.



Online, In Branch and On the Road - Scattergood & Johnson Ltd, there when you need us.

www.scatts.co.uk