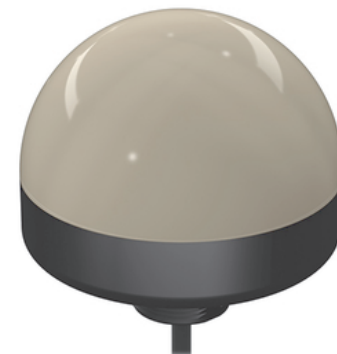
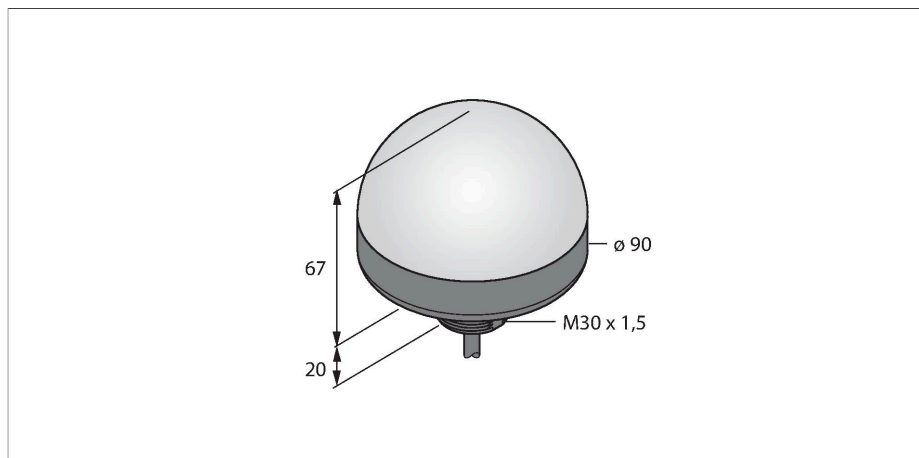


K90LGYRP

LED Indicator – Beacon



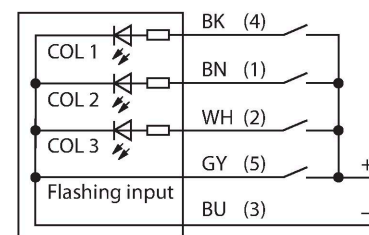
Technical data

Type	K90LGYRP
ID	3092826
Signal and display data	
Purpose	LED indicator light
Function	Spotlight
Light type	Green Yellow Red
LED service life (L70)	50000 h
Dimmable	no
Features of color 1	Green, Permanently on, 150 lm
Features of color 2	Yellow, 35 lm
Features of color 3	Red, 65 lm
Electrical data	
Operating voltage	12...30 VDC
Max. current consumption per color	475 mA
Input power	5.7 W
Input type	PNP
Response time typical	< 75 ms
Mechanical data	
Cascadable	No
Design	Dome, K90L
Dimensions	Ø 90 x 87 x 87 mm
Housing material	Plastic, PC
Window material	Polycarbonate, diffuse
Electrical connection	Cable, 2 m, PVC
Number of cores	5

Features

- All-round LED display
- Protection class IP67
- Mechanical screw-in thread M30 x 1.5
- Cable, PVC, black, 2 m, 5-wire
- Polychrome: Green (COL 1) / Yellow (COL 2) / Red (COL 3)
- Flashing function (1.6 Hz) selectable via function input
- Operating voltage: 12...30 VDC
- Individually controllable
- Inputs: PNP

Wiring diagram



Functional principle

The LED display is suitable for industrial use thanks to its rugged design in protection class IP67. The LED display is on during the input signal period.

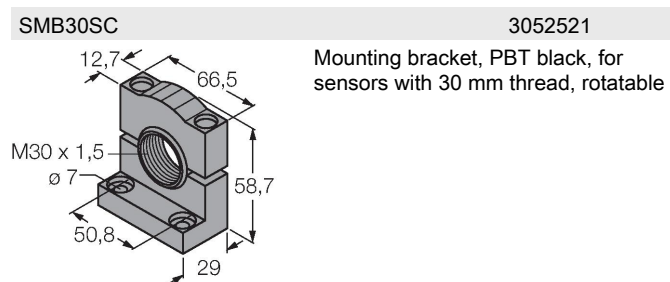
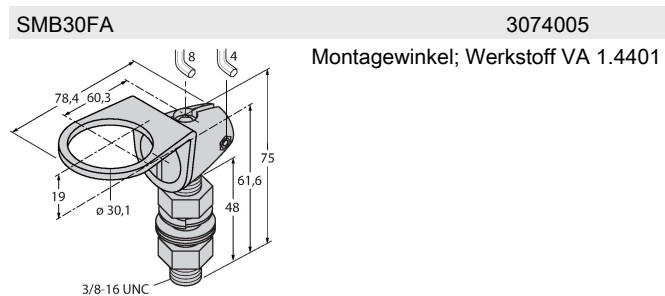
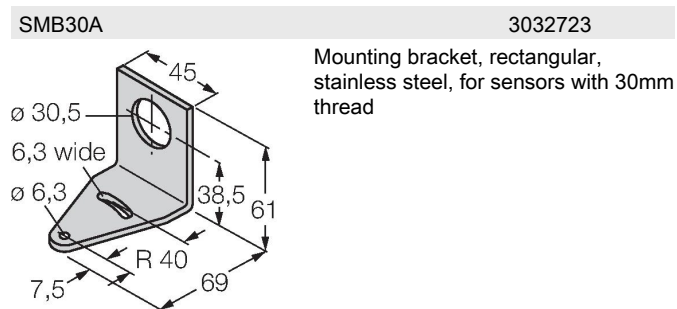
Only a color at any time lights up. Higher color numbers override lower. COL 3 overrides for example COL 1 and 2.

If the function input is connected to the supply voltage, the function switches from steady on to flashing.

Technical data

Ambient temperature	-40...+50 °C
Protection class	IP67
Tests/approvals	
Approvals	CE, UL listed

Accessories





**SCATTERGOOD
& JOHNSON LTD**
ELECTRICAL ENGINEERING & FLUID CONTROL DISTRIBUTORS

Est.1899

At Scattergood & Johnson Ltd, we pride ourselves on being a technical distributor to specialist industries.

Working with a range of quality product manufacturers across a number of specialist markets, we are not your average 'box shifter' - we are your technical and supply chain partner.

We fully support every product we sell - for free! Our internal team and external sales engineers can answer any product or application question, no matter the complexity.

Backing up this technical ability is a range of 50,000+ products available from stock for nationwide next day delivery (same day if required!), or you can collect what you need from any of our trade counters around the UK.

Select your specialist interest below to learn more about how we can help.



Online, In Branch and On the Road - Scattergood & Johnson Ltd, there when you need us.

www.scatts.co.uk