

# ADE-1FC - for non-armoured cable

Hazardous area cable glands



### Suitable for the following cable types:

- Non-armoured cable
- Marine shipboard cable; Type P cable
- Tray cable: TC

Sealing ring and TSC compound provides 100% of cable clamping

### Certifications and compliances

#### • ATEX No. INERIS 12ATEX0032X

Zones 1 and 2, Groups I, IIA, IIB and IIC  
Zones 21 and 22, Groups IIIA, IIIB and IIIC  
⊕ IIC / Ex db IIC / Ex eb IIC / Ex tb IIIC  
⊕ IIG Ex nRc IIC

⊕ IM2 / Ex db I / Ex eb I ; for mining applications

Brass, stainless steel or bronze size 11 to 16; NPT 2" to 4", ISO 63 to 110

#### • IECEx No. IECEx INE 12.0025X

Zones 1 and 2, Groups I, IIA, IIB and IIC  
Zones 21 and 22, Groups IIIA, IIIB and IIIC  
Ex db IIC / Ex eb IIC / Ex nRc IIC / Ex tb IIIC  
Ex db I / Ex eb I ; for mining applications

Brass, stainless steel or bronze size 11 to 16; NPT 2" to 4", ISO 63 to 110

#### • UL: 3DJN E310130 Class I Zone 2\*, AEx e II, Ex e II

⊕ ADE size 4 to 16, NPT 1/2" to 4" or ISO 20 to 110 with non-armoured cable ITC, MV, PLTC, TC-ER, TC-ER-HL, TC and compound TSC

#### • UL: 3DJN E310130 Class I Division 1, Groups A, B, C and D

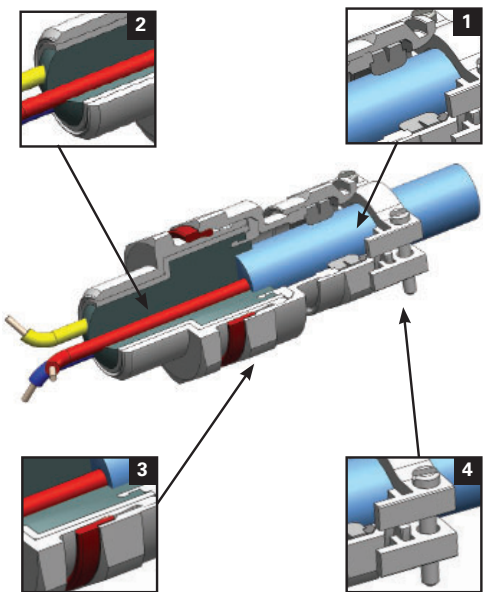
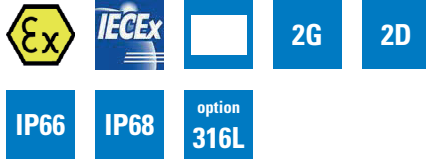
⊕ ADE size 4 to 9, NPT 1/2" to 1 1/4" or ISO 20 to 40 with non-armoured cable TC-ER-HL and compound TSC. ADE size 4 to 16, NPT 1/2" to 4" or ISO 20 to 110 with non-armoured cable ITC-HL and compound TSC

#### • UL: 3DJN E310130 Class I Division 2, Groups A, B, C and D

⊕ ADE size 4 to 16, NPT 1/2" to 4" or ISO 20 to 110 with non-armoured cable ITC, ITC-ER, ITC-HL, MV, PLTC, PLTC-ER, TC-ER, TC-ER-HL, TC and compound TSC

#### • UL: 4EC5 E324850 Class I Division 2, Groups A, B, C and D

⊕ ADE size 4 to 16, NPT 1/2" to 4" or ISO 20 to 110 with non-armoured marine cable and compound TSC



### Other certificates:

- CEPEL 05.0558X
- CCoE P360379-1
- KOSHA 2015-BO-0479 to 0482
- NANIO TC-RU C-FR.ГБ05.B.00858
- NEPSI GYJ13.1082X

### Shipping applications:

- ABS 14-HS1274083-PDA
- BV 40910/A0 BV
- DNV TAE000010X
- Lloyds 11/00072
- DTS-01:1991

### Technical specification

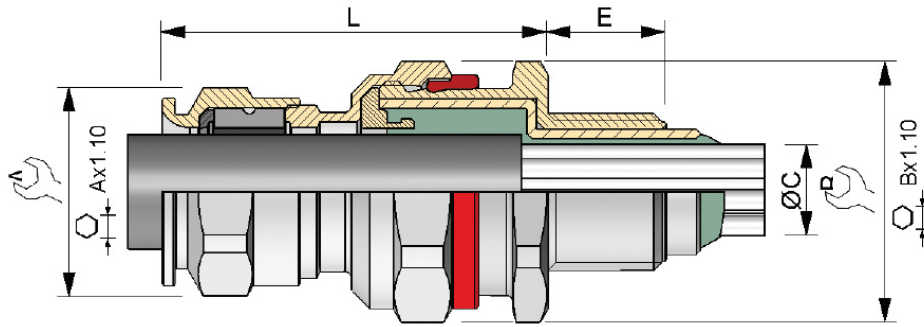
- Nickel-plated brass for superior corrosion resistance. 316L stainless steel, bronze and aluminum options available. It is recommended that a suitable lubricant is used on all threads of stainless steel and aluminum versions.
- Temperature range: -60 °C to +80 °C
- IP66 / IP68 according to the method of attachment and the condition of the equipment area, see page 2.5
- Equipped with a 'deluge' seal.

### Features and benefits

- 1: Specifically formulated elastomer for IP sealing on outer sheath of cable
- 2: Sealing of cable conductors with compound barrier seal
- 3: Deluge seal provides enhanced ingress protection
- 4: Additional external cable clamping for strain relief (optional)

# ADE-1FC - for non-armoured cable

Hazardous area cable glands



\* For 'across corners' dimensions, multiply 'across flats' dimensions by 1.1

\*\* For 'E' see thread dimension page 5.18

SERIES	THREAD SIZE	CABLE SEALING RANGE	MATERIAL	BARRIER	OPTION
ADE1C	M25	3	NP	SCN	

0 = XS  
1 = S  
2 = M  
3 = L

CODES	
K1	Accessories kit 1
K2	Accessories kit 2
K3	Accessories kit 3
BLANK	No option
SCN	Solid compound
NP	Nickel-plated brass
SS	Stainless steel

KIT OPTIONS	
K1	Kit 1 contents: • Locknut • Green composite washer
K2	Kit 2 contents: • Locknut • Green composite washer • Earth tag • Shroud
K3	Kit 3 contents: • Locknut • Green composite washer • Earth tag • Serrated washer

### Ordering codes

SERIES	THREAD SIZE (ISO)	THREAD SIZE CODE (ISO)	THREAD SIZE (NPT)	THREAD SIZE CODE (NPT)	CABLE SEALING RANGE	CABLE SEALING RANGE MIN - MAX	C=Ø MAX OVER CORES	MAX No. OF CORES	A	B	L	ADE GLAND SIZE	CATALOG NUMBER (ISO)	CATALOG NUMBER (NPT)
ADE1C	16*	M16	3/8**	N038	3	4.0 - 8.0	6.5	6	15	19	36.0	4	ADE1CM163NPSCN	ADE1CN0383NPSCN
ADE1C	20	M20	1/2"	N050	1	4.0 - 8.0	6.5	6	15	24	36.0	4	ADE1CM201NPSCN	ADE1CN0501NPSCN
ADE1C	20	M20	1/2"	N050	2	6.0 - 12.0	9.5	6	19	24	42.0	5	ADE1CM202NPSCN	ADE1CN0502NPSCN
ADE1C	20	M20	1/2"	N050	3	8.5 - 16.0	12.0	10	24	30	48.5	6	ADE1CM203NPSCN	ADE1CN0503NPSCN
ADE1C	25	M25	3/4"	N075	2	8.5 - 16.0	12.0	10	24	30	48.5	6	ADE1CM252NPSCN	ADE1CN0752NPSCN
ADE1C	25	M25	3/4"	N075	3	12.0 - 21.0	17.0	21	30	41	58.0	7	ADE1CM253NPSCN	ADE1CN0753NPSCN
ADE1C	32	M32	1"	N100	2	12.0 - 21.0	17.0	21	30	41	58.0	7	ADE1CM322NPSCN	ADE1CN1002NPSCN
ADE1C	32	M32	1"	N100	3	16.0 - 27.5	23.0	42	41	48	70.0	8	ADE1CM323NPSCN	ADE1CN1003NPSCN
ADE1C	40	M40	1 1/4"	N125	2	16.0 - 27.5	23.0	42	41	48	70.0	8	ADE1CM402NPSCN	ADE1CN1252NPSCN
ADE1C	40	M40	1 1/4"	N125	3	21.0 - 34.0	29.0	60	48	55	79.0	9	ADE1CM403NPSCN	ADE1CN1253NPSCN
ADE1C	50	M50	1 1/2"	N150	2	21.0 - 34.0	29.0	60	48	55	79.0	9	ADE1CM502NPSCN	ADE1CN1502NPSCN
ADE1C	50	M50	2"	N200	1	27.0 - 41.0	36.5	80	55	64	88.0	10	ADE1CM501NPSCN	ADE1CN2001NPSCN
ADE1C	63	M63	2"	N200	2	33.0 - 48.0	43.0	100	64	72	98.0	11	ADE1CM632NPSCN	ADE1CN2002NPSCN
ADE1C	63	M63	2"	N200	3	40.0 - 56.0	50.0	100	72	85	103.0	12	ADE1CM633NPSCN	ADE1CN2003NPSCN
ADE1C	-	-	2 1/2"	N250	2	40.0 - 56.0	50.0	100	72	85	103.0	12	-	ADE1CN2502NPSCN
ADE1C	75	M75	2 1/2"	N250	3	46.0 - 65.0	59.0	120	85	95	111.0	13	ADE1CM753NPSCN	ADE1CN2503NPSCN
ADE1C	-	-	3"	N300	1	46.0 - 65.0	59.0	120	85	95	111.0	13	-	ADE1CN3001NPSCN
ADE1C	90	M90	3"	N300	2	54.0 - 74.0	66.0	140	95	110	120.0	14	ADE1CM902NPSCN	ADE1CN3002NPSCN
ADE1C	-	-	3 1/2"	N350	2	54.0 - 74.0	66.0	140	95	110	120.0	14	-	ADE1CN3502NPSCN
ADE1C	90	M90	3"	N300	3	63.0 - 83.0	75.0	140	110	120	125.0	15	ADE1CM903NPSCN	ADE1CN0383NPSCN
ADE1C	-	-	3 1/2"	N350	3	63.0 - 83.0	75.0	140	110	120	125.0	15	-	ADE1CN3503NPSCN
ADE1C	110	M110	4"	N400	3	72.0 - 93.0	85.0	200	120	135	128.0	16	ADE1CM1103NPSCN	ADE1CN4003NPSCN

\* Not UL certified. Above catalog numbers are for nickel-plated brass; refer to order code diagram for other options..

All dimensions in mm.



**SCATTERGOOD  
& JOHNSON LTD**  
ELECTRICAL ENGINEERING & FLUID CONTROL DISTRIBUTORS

Est.1899

At Scattergood & Johnson Ltd, we pride ourselves on being a technical distributor to specialist industries.

Working with a range of quality product manufacturers across a number of specialist markets, we are not your average 'box shifter' - we are your technical and supply chain partner.

We fully support every product we sell - for free! Our internal team and external sales engineers can answer any product or application question, no matter the complexity.

Backing up this technical ability is a range of 50,000+ products available from stock for nationwide next day delivery (same day if required!), or you can collect what you need from any of our trade counters around the UK.

Select your specialist interest below to learn more about how we can help.



Online, In Branch and On the Road - Scattergood & Johnson Ltd, there when you need us.

**[www.scatts.co.uk](http://www.scatts.co.uk)**