

# Connector - SACC-M12MR-5PL M



1424651

<https://www.phoenixcontact.com/gb/products/1424651>

Please be informed that the data shown in this PDF document is generated from our Online Catalog. Please find the complete data in the user documentation. Our General Terms of Use for Downloads are valid.

---

Connector, Universal, 5-position, unshielded, Plug angled M12, Coding: A, Push-lock spring connection, knurl material: Zinc die-cast, nickel-plated, external cable diameter 4 mm ... 8 mm



---

## Your advantages

- Time-saving Push-Lock connection: Tool-free connection and disconnection of conductors by opening the contact levers
- Intuitive connection: Easy assignment of individual litz wires with color-coded and numerical identification of the contact levers
- Integrated Push-in Technology: Wire rigid and pretreated conductors easily by means of simple, direct insertion
- Shock- and vibration-resistant connection: Proven spring-cage technology guarantees secure and reliable contacting
- Flexible cable outlets with angled connectors

# Connector - SACC-M12MR-5PL M



1424651

<https://www.phoenixcontact.com/gb/products/1424651>

## Commercial Data

Item number	1424651
Packing unit	1 pc
Minimum order quantity	1 pc
Sales Key	BF2CEA
Product Key	BF2CEA
Catalog Page	Page 19 (C-2-2019)
GTIN	4055626374987
Weight per Piece (including packing)	23.3 g
Weight per Piece (excluding packing)	22.95 g
Customs tariff number	85366990
Country of origin	DE

# Connector - SACC-M12MR-5PL M



1424651

<https://www.phoenixcontact.com/gb/products/1424651>

## Technical Data

### Notes

Assembly instruction:

**NOTE:** Observe the permissible bending radii when laying conductors, since the degree of protection may be put in jeopardy if the bending forces are too high. Alleviate mechanical loads upstream of the connector, e.g. by using cable ties.

### Product properties

Product type	Circular connector (cable-side)
Number of positions	5
No. of cable outlets	1
Shielded	no
Coding	A - standard
Cable outlet	angled

### Insulation characteristics

Overvoltage category	II
Degree of pollution	3

### Ambient conditions

Degree of protection	IP65 IP67
Ambient temperature (operation)	-40 °C ... 85 °C (Plug / socket)

### Dimensions

Dimensional drawing	
Length	51 mm

### External dimensions

Outside diameter	4 mm ... 8 mm
------------------	---------------

### Housing

Diameter housing	19 mm
------------------	-------

### Connector

Insertion/withdrawal cycles	≥ 100
-----------------------------	-------

### Electrical properties

Rated surge voltage	1.5 kV
---------------------	--------

# Connector - SACC-M12MR-5PL M



1424651

<https://www.phoenixcontact.com/gb/products/1424651>

Contact resistance	≤ 5 mΩ
Insulation resistance	≥ 100 MΩ
Nominal voltage $U_N$	48 V AC
	60 V DC
Nominal current $I_N$	4 A (2 A when using 0.14 mm <sup>2</sup> conductors)

## Material specifications

Color Handle area	black
Material	PBT (Pressure nut, weight: 2.36 g)
	PA 6 (Actuation lever)
Flammability rating according to UL 94	V0
Sealing material	NBR
Material of grip body	PA 6.6
Contact material	CuSn
Contact surface material	Ni/Au
Contact carrier material	PA 6.6
Cable gland material	Zinc die-cast, nickel-plated
Standards/regulations	PA 6.6: Fire protection in rail vehicles - requirement sets R22, R23, R24, and R26 acc. to DIN EN 45545-2 (Risk level HL1 - HL3)
	PA 6: Fire protection in rail vehicles - requirement sets R22, R23, and R24 acc. to DIN EN 45545-2 (Risk level HL1 - HL3)
	PBT: Fire protection in rail vehicles - requirement sets R22, R23, R24, and R26 acc. to DIN EN 45545-2 (Risk level HL1 - HL2, R26: HL3)

## Connection data

### Connection technology

Connection method	Push-lock spring connection
Outside diameter	4 mm ... 8 mm

### Conductor connection

Connection method	Push-lock spring connection
Conductor cross section flexible	0.14 mm <sup>2</sup> ... 0.75 mm <sup>2</sup>
Cross section AWG	26 ... 18

### Pin assignment

Contact   Color (signal designation)   Contact (optional)	1 = BN
	2 = WH
	3 = BU
	4 = BK
	5 = GY

## Mounting

Assembly instructions	The connector pin assignment can be rotated 45° to the cable outlet
-----------------------	---

# Connector - SACC-M12MR-5PL M



1424651

<https://www.phoenixcontact.com/gb/products/1424651>

	The wires can be connected both with ferrules and without ferrules
--	--

## Standards and regulations

### Testing

Standards/regulations	PA 6.6: Fire protection in rail vehicles - requirement sets R22, R23, R24, and R26 acc. to DIN EN 45545-2 (Risk level HL1 - HL3)
	PA 6: Fire protection in rail vehicles - requirement sets R22, R23, and R24 acc. to DIN EN 45545-2 (Risk level HL1 - HL3)
	PBT: Fire protection in rail vehicles - requirement sets R22, R23, R24, and R26 acc. to DIN EN 45545-2 (Risk level HL1 - HL2, R26: HL3)

### M12

Standards/specifications	IEC 61076-2-101
Standards/specifications	EN 50155:2001

## Cable / line

### Cable structure

Signal type/category	Universal
Stripping length of the individual wire	7 mm

# Connector - SACC-M12MR-5PL M

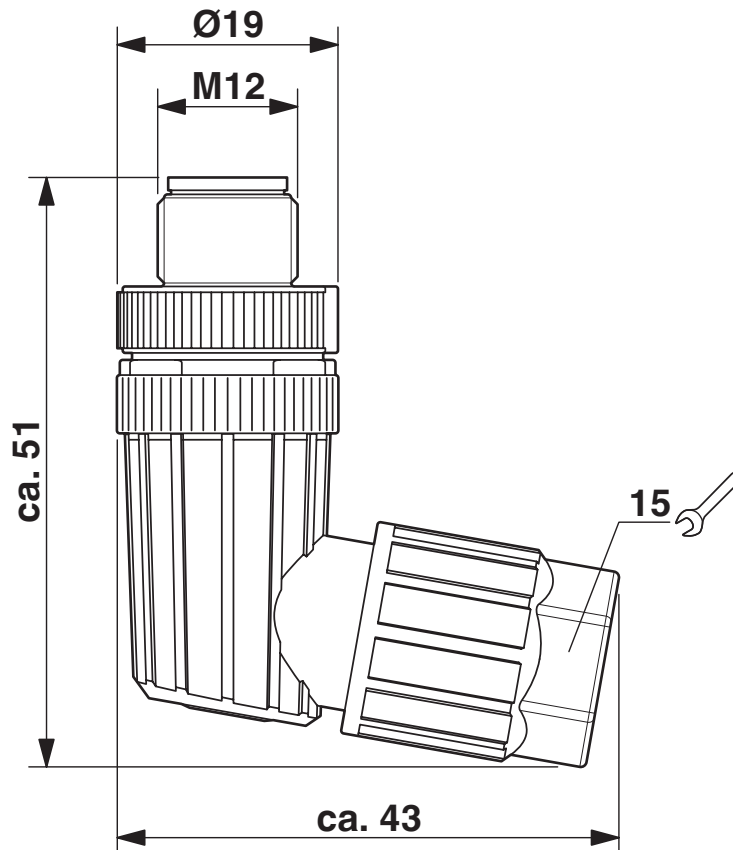


1424651

<https://www.phoenixcontact.com/gb/products/1424651>

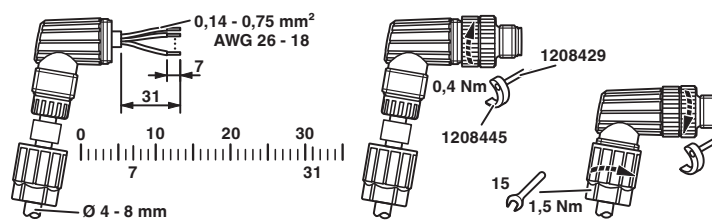
## Drawings

Dimensional drawing



M12 SPEEDCON plug, angled

Functional drawing



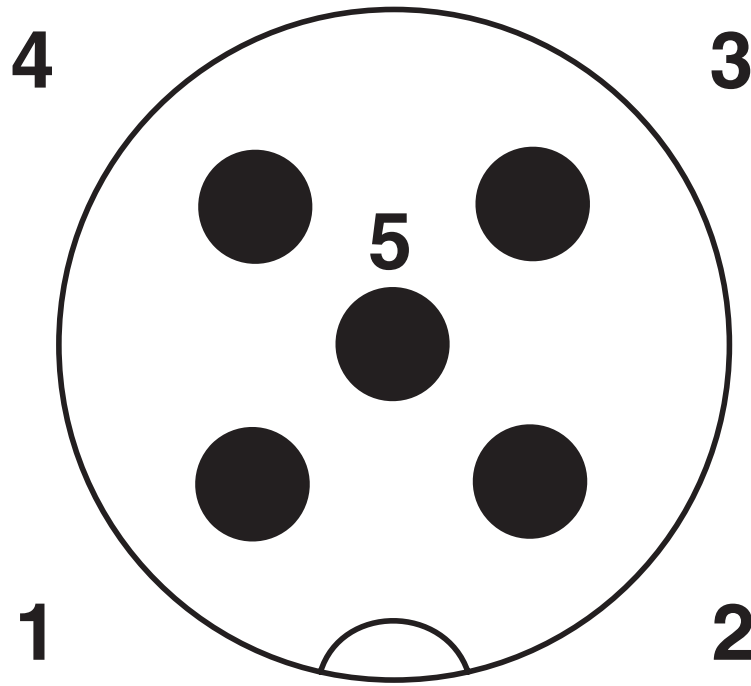
# Connector - SACC-M12MR-5PL M



1424651

<https://www.phoenixcontact.com/gb/products/1424651>

Schematic diagram



Pin assignment M12 male connector, 5-pos., A-coded, male side

# Connector - SACC-M12MR-5PL M




1424651


<https://www.phoenixcontact.com/gb/products/1424651>

## Approvals

EAC 

EAC 

UL Listed 	Nominal Voltage $U_N$	Nominal Current $I_N$	Cross Section AWG	Cross Section $\text{mm}^2$
	250 V	4 A	-	26 - 18

cUL Listed 	Nominal Voltage $U_N$	Nominal Current $I_N$	Cross Section AWG	Cross Section $\text{mm}^2$
	250 V	4 A	26 - 18	-

cULus Listed

# Connector - SACC-M12MR-5PL M



1424651

<https://www.phoenixcontact.com/gb/products/1424651>

## Classifications

### ECLASS

ECLASS-9.0	27440102
ECLASS-10.0.1	27440102
ECLASS-11.0	27440102

### ETIM

ETIM 8.0	EC002635
----------	----------

### UNSPSC

UNSPSC 21.0	39121413
-------------	----------

# Connector - SACC-M12MR-5PL M



1424651

<https://www.phoenixcontact.com/gb/products/1424651>

## Environmental Product Compliance

China RoHS

Environmentally friendly use period: unlimited = EFUP-e

No hazardous substances above threshold values

Phoenix Contact 2022 © - all rights reserved

<https://www.phoenixcontact.com>

PHOENIX CONTACT Ltd

Halesfield 13, Telford

Shropshire, TF7 4PG

01952 681700

[info@phoenixcontact.co.uk](mailto:info@phoenixcontact.co.uk)



**SCATTERGOOD  
& JOHNSON LTD**  
ELECTRICAL ENGINEERING & FLUID CONTROL DISTRIBUTORS

Est.1899

At Scattergood & Johnson Ltd, we pride ourselves on being a technical distributor to specialist industries.

Working with a range of quality product manufacturers across a number of specialist markets, we are not your average 'box shifter' - we are your technical and supply chain partner.

We fully support every product we sell - for free! Our internal team and external sales engineers can answer any product or application question, no matter the complexity.

Backing up this technical ability is a range of 50,000+ products available from stock for nationwide next day delivery (same day if required!), or you can collect what you need from any of our trade counters around the UK.

Select your specialist interest below to learn more about how we can help.



Online, In Branch and On the Road - Scattergood & Johnson Ltd, there when you need us.

**[www.scatts.co.uk](http://www.scatts.co.uk)**