

Switch Amplifier

WE 77/Ex-2 230V

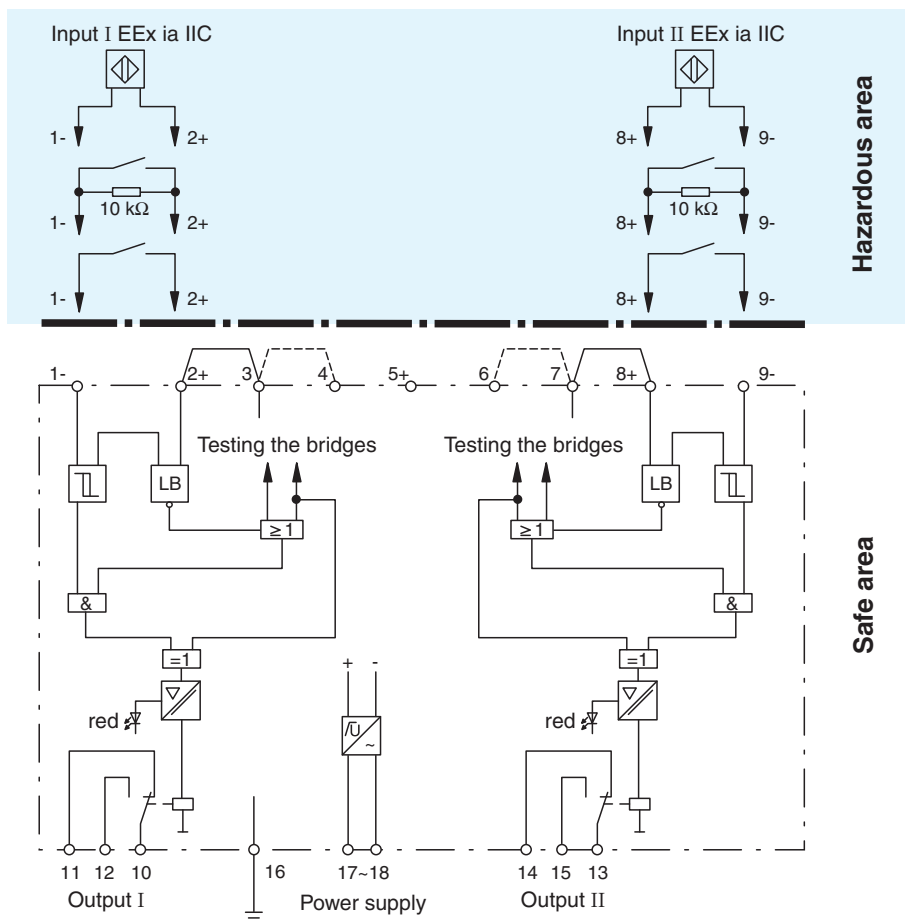
- 2-channel
- Control circuit EEx ia IIC
- 230 V AC supply voltage
- Reversible mode of operation
- Lead breakage (LB) monitoring
- 1 relay contact output (change-over contact) per channel



Function

The device transfers digital signals into hazardous areas. Sensors per EN 60947-5-6 (NAMUR) or mechanical contacts may be used as transmitters. The control circuit is monitored for lead breakage (LB).

Connection



Release date: 2022-01-11 Date of issue: 2022-01-11 Filename: 129198_eng.pdf

Refer to "General Notes Relating to Pepperl+Fuchs Product Information".

Pepperl+Fuchs Group
www.pepperl-fuchs.com

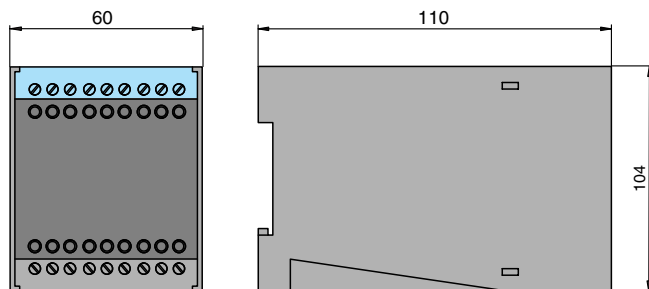
USA: +1 330 486 0002
pa-info@us.pepperl-fuchs.com

Germany: +49 621 776 2222
pa-info@de.pepperl-fuchs.com

Singapore: +65 6779 9091
pa-info@sg.pepperl-fuchs.com



Dimensions



Technical Data

General specifications	
Signal type	Digital Input
Supply	
Connection	terminals 17, 18
Rated voltage	U_r 198 ... 253 V AC ; 45 ... 65 Hz
Power dissipation	2.5 W
Power consumption	approx. 3.2 VA
Input	
Connection side	field side
Connection	terminals 1-, 2+; 8+, 9-
Rated values	acc. to EN 60947-5-6 (NAMUR), see manual for electrical data
Open circuit voltage/short-circuit current	approx. 8 V DC / approx. 8 mA
Switching point/switching hysteresis	1.2 ... 2.1 mA / approx. 0.2 mA
Pulse/Pause ratio	min. 0.5 ms / min. 0.5 ms
Line fault detection	breakage $I \leq 0.1$ mA
Output	
Connection side	control side
Connection	terminals 10, 11, 12; 13, 14, 15
Output	signal ; relay
Contact loading	253 V AC/2 A/500 VA/cos ϕ min. 0,7; 125 V AC/4 A/500 VA cos ϕ min. 0,7; 40 V DC/2 A/80 W ohmic load
Energized/De-energized delay	approx. 10 ms / approx. 20 ms
Mechanical life	10^7 switching cycles
Transfer characteristics	
Switching frequency	< 10 Hz
Galvanic isolation	
Input/Output	reinforced insulation according to IEC/EN 61010-1, rated insulation voltage 300 V _{eff}
Input/power supply	reinforced insulation according to IEC/EN 61010-1, rated insulation voltage 300 V _{eff}
Output/power supply	basic insulation according to IEC/EN 61010-1, rated insulation voltage 300 V _{eff}
Indicators/settings	
Display elements	LEDs
Directive conformity	
Electromagnetic compatibility	
Directive 2014/30/EU	EN 61326-1:2013 (industrial locations)
Low voltage	
Directive 2014/35/EU	EN 61010-1:2010
Conformity	

Release date: 2022-01-11 Date of issue: 2022-01-11 Filename: 129198_eng.pdf

Refer to "General Notes Relating to Pepperl+Fuchs Product Information".

 Pepperl+Fuchs Group
 www.pepperl-fuchs.com

 USA: +1 330 486 0002
 pa-info@us.pepperl-fuchs.com

 Germany: +49 621 776 2222
 pa-info@de.pepperl-fuchs.com

 Singapore: +65 6779 9091
 pa-info@sg.pepperl-fuchs.com

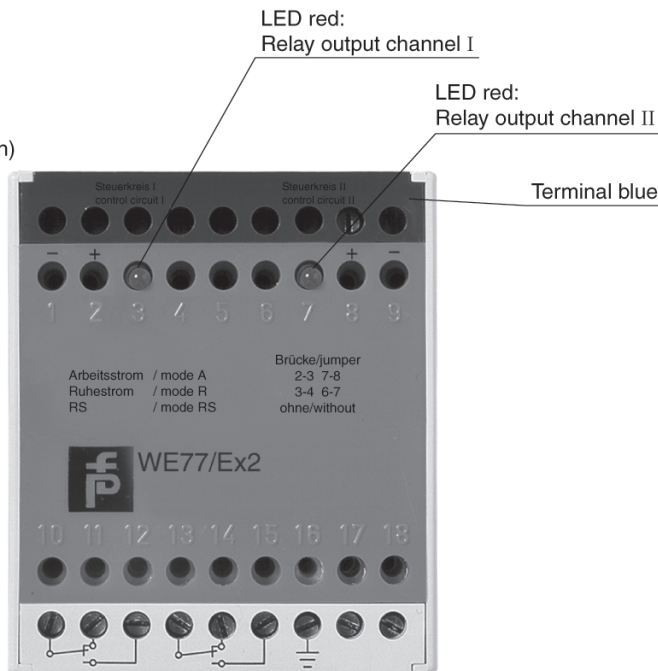
Technical Data

Degree of protection	IEC 60529	
Ambient conditions		
Ambient temperature	-20 ... 60 °C (-4 ... 140 °F)	
Mechanical specifications		
Degree of protection	IP20	
Connection	screw terminals	
Mass	approx. 410 g	
Dimensions	60 x 104 x 110 mm (2.4 x 4.1 x 4.3 inch) (W x H x D) , housing type W2	
Data for application in connection with hazardous areas		
EU-type examination certificate	PTB 02 ATEX 2065	
Marking	Ⓜ II (1)GD [EEx ia] IIC [circuit(s) in zone 0/1/2]	
Input	Ex ia	
Voltage	U _o	13.4 V DC
Current	I _o	31 mA
Power	P _o	145 mW (trapezoid characteristic curve)
Supply		
Maximum safe voltage	U _m	253 V AC (Attention! The rated voltage can be lower.)
Output		
Maximum safe voltage	U _m	253 V AC (Attention! The rated voltage can be lower.)
Galvanic isolation		
Input/Output	safe electrical isolation acc. to IEC/EN 60079-11, voltage peak value 375 V	
Input/power supply	safe electrical isolation acc. to IEC/EN 60079-11, voltage peak value 375 V	
Directive conformity		
Directive 2014/34/EU	EN 60079-0:2012+A11:2013 , EN 60079-11:2012	
General information		
Supplementary information	Observe the certificates, declarations of conformity, instruction manuals, and manuals where applicable. For information see www.pepperl-fuchs.com .	

Assembly

Front View

Housing type W2
(see system description)



Release date: 2022-01-11 Date of issue: 2022-01-11 Filename: 129198_eng.pdf

Refer to "General Notes Relating to Pepperl+Fuchs Product Information".

Pepperl+Fuchs Group
www.pepperl-fuchs.com

USA: +1 330 486 0002
pa-info@us.pepperl-fuchs.com

Germany: +49 621 776 2222
pa-info@de.pepperl-fuchs.com

Singapore: +65 6779 9091
pa-info@sg.pepperl-fuchs.com

PEPPERL+FUCHS

Configuration

Mode of operation without lead breakage detection

Jumpers	Input	Output
Jumpers between terminals 3 and 4, terminals 6 and 7		
	0-Signal	
Jumpers between terminals 3 and 4, terminals 6 and 7		
	1-Signal	
Jumpers between terminals 2 and 3, terminals 7 and 8		
	1-Signal	
Jumpers between terminals 2 and 3, terminals 7 and 8		
	0-Signal	

Mode of operation with lead breakage detection

Jumpers	Input	Output
Without jumpers		
	0-Signal	
Without jumpers		
	1-Signal	
Without jumpers		
	0-Signal	
Without jumpers		
	1-Signal	

Release date: 2022-01-11 Date of issue: 2022-01-11 Filename: 129198_eng.pdf

Refer to "General Notes Relating to Pepperl+Fuchs Product Information".



**SCATTERGOOD
& JOHNSON LTD**
ELECTRICAL ENGINEERING & FLUID CONTROL DISTRIBUTORS

Est.1899

At Scattergood & Johnson Ltd, we pride ourselves on being a technical distributor to specialist industries.

Working with a range of quality product manufacturers across a number of specialist markets, we are not your average 'box shifter' - we are your technical and supply chain partner.

We fully support every product we sell - for free! Our internal team and external sales engineers can answer any product or application question, no matter the complexity.

Backing up this technical ability is a range of 50,000+ products available from stock for nationwide next day delivery (same day if required!), or you can collect what you need from any of our trade counters around the UK.

Select your specialist interest below to learn more about how we can help.



Online, In Branch and On the Road - Scattergood & Johnson Ltd, there when you need us.

www.scatts.co.uk