

**DATASHEET - FAZ-XAA-NA12-110VAC****Shunt release, up to 63A, 12-110V**

**Part no.** FAZ-XAA-NA12-110VAC  
**Catalog No.** 102037  
**Alternate Catalog No.** FAZ-XAA-NA12-110VAC

**EATON**  
 Powering Business Worldwide™

Similar to illustration

**Delivery program**

Basic function		Accessories for miniature circuit-breaker
Basic function accessories		Shunt release
Application		Switchgear for 110-V systems
Product range		Accessory
Side mounting		for fitting on left to: FAZ-NA, FAZ-RT

**Technical data****Electrical**

Voltage range		V AC	12 - 110
Rated frequency	f	Hz	50/60

**Mechanical**

Standard front dimension		mm	45
Enclosure height		mm	105
Mounting width		mm	17.5
Mounting			Quick attachment with 2 latch positions for top-hat rail EN 50022
Degree of protection			
Integrated			IP40
Terminal protection			Busbar tag shroud to BGV A3
Terminals			Twin-purpose terminals

**Design verification as per IEC/EN 61439**

Technical data for design verification			
Operating ambient temperature min.		°C	-5
Operating ambient temperature max.		°C	40

**Technical data ETIM 8.0**

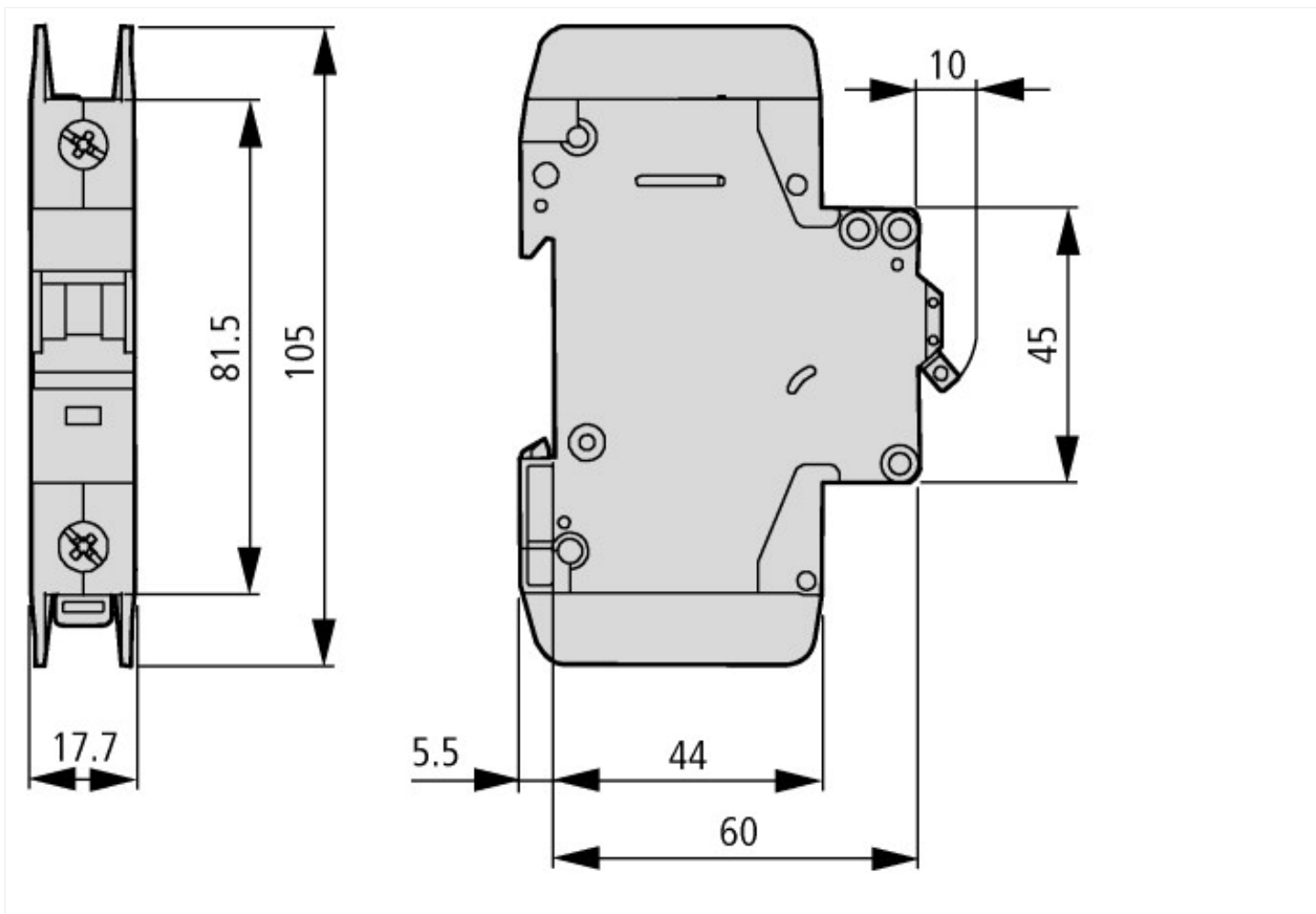
Devices for distribution board-/surface mounting (EG000062) / Auxiliary device for distribution board devices (EC001286)		
Electric engineering, automation, process control engineering / Electrical installation, device / Breaker switch component / Auxiliary contact unit for distribution board (ecl@ss10.0.1-27-14-35-02 [AKE327013])		
Device fitting		Miniature circuit breaker (MCB)
Additional equipment		Shunt release (for power circuit breaker)
Installed at the factory		No
Width in number of modular spacings		1
Number of contacts as normally open contact		1
Number of contacts as normally closed contact		1
Number of contacts as change-over contact		0
Number of fault-signal switches		0
Rated switch current	A	0
Rated voltage	V	110
Voltage type for actuating		AC/DC
With auto test for earth leakage function		No

Suitable for max. number of poles main contact unit (total)		1
Suitable for max. current main contact unit	A	0

## Approvals

Product Standards		IEC/EN 60898; EN 45545-2; IEC 61373; UL 489; CSA-C22.2 No. 5-09; CE marking
UL File No.		E257181
UL Category Control No.		DIHS, DIHS7
CSA File No.		204453
CSA Class No.		1437-01
North America Certification		UL listed, CSA certified
Degree of Protection		IEC: IP20, UL/CSA Type: -

## Dimensions





# SCATTERGOOD & JOHNSON LTD

ELECTRICAL ENGINEERING & FLUID CONTROL DISTRIBUTORS

Est.1899

At Scattergood & Johnson Ltd, we pride ourselves on being a technical distributor to specialist industries.

Working with a range of quality product manufacturers across a number of specialist markets, we are not your average 'box shifter' - we are your technical and supply chain partner.

We fully support every product we sell - for free! Our internal team and external sales engineers can answer any product or application question, no matter the complexity.

Backing up this technical ability is a range of 50,000+ products available from stock for nationwide next day delivery (same day if required!), or you can collect what you need from any of our trade counters around the UK.

Select your specialist interest below to learn more about how we can help.



Online, In Branch and On the Road - Scattergood & Johnson Ltd, there when you need us.

# [www.scatts.co.uk](http://www.scatts.co.uk)