



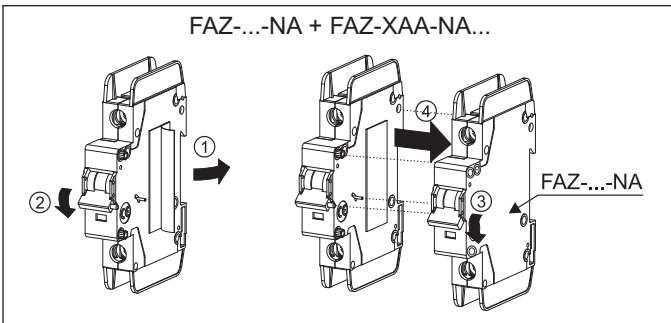
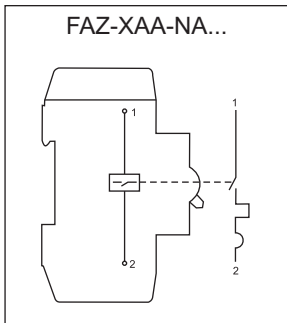
Instruction Leaflet
 Montageanweisung
 Notice d'installation
 Instrucciones de montaje
 Istruzioni per il montaggio
 安装说明
 Инструкција по монтажу

Montagehandleiding
 Montagevejledning
 Οδηγίες εγκατάστασης
 Instruções de montagem
 Monteringsanvisning
 Asennusohje
 Návod k montáži

Paigaldusjuhend
 Szerelési utasítás
 Montāžas instrukcija
 Montavimo instrukcija
 Instrukcja montażu
 Navodila za montažo
 Návod na montáž

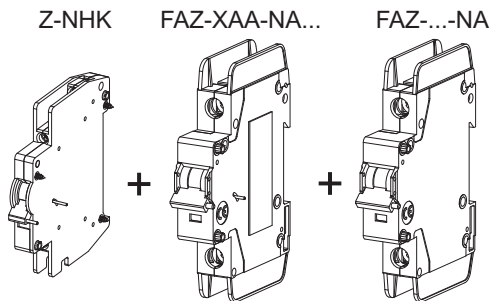
Монтажни инструкции
 Instruccioni de montaj
 Upute za montažu
 Kullanma Talimatı
 Упутство
 Instruksjonsblad
 Монтажна інструкція

FAZ-XAA-NA...



Cu only mm ²					
	AWG				
1 x 1 - 6	1 x #18 - #10	12 mm (.50")	Z2	1.0 x 6.5 mm (.040 x .25 in)	2.8 Nm (25 lb-in)
2 x 1 - 2 x 6	2 x #18 - 2 x #10				

Allowable Combinations and Positions
 Combinaisons et Positions Possible
 Zulässige Kombinationen und Positionen
 Combinazioni e Posizioni Accettabili
 Combinaciones y Posiciones Válidas





SCATTERGOOD & JOHNSON LTD

ELECTRICAL ENGINEERING & FLUID CONTROL DISTRIBUTORS

Est.1899

At Scattergood & Johnson Ltd, we pride ourselves on being a technical distributor to specialist industries.

Working with a range of quality product manufacturers across a number of specialist markets, we are not your average 'box shifter' - we are your technical and supply chain partner.

We fully support every product we sell - for free! Our internal team and external sales engineers can answer any product or application question, no matter the complexity.

Backing up this technical ability is a range of 50,000+ products available from stock for nationwide next day delivery (same day if required!), or you can collect what you need from any of our trade counters around the UK.

Select your specialist interest below to learn more about how we can help.



Online, In Branch and On the Road - Scattergood & Johnson Ltd, there when you need us.

www.scatts.co.uk