

ARCA 203015 No MP



Sample image

Order symbol: ARCA 203015 No MP

Product nbr: 8120020N

Description: Cabinet. PC

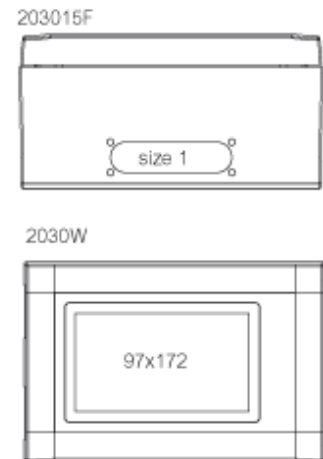
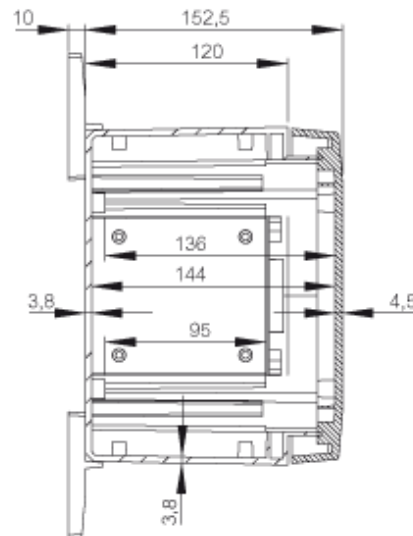
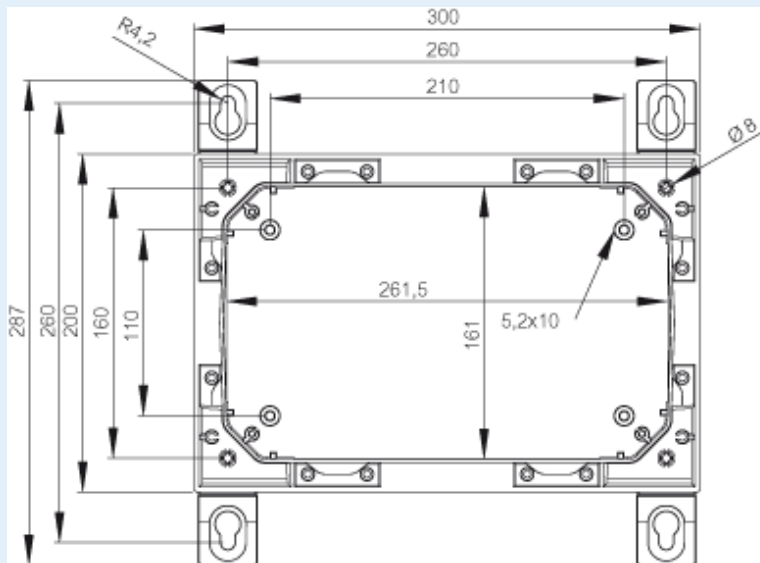
Remarks: Grey cover. 1-point locking. hinges on the short side

EAN: 6418074089403

El. number:

- Finland:
- Denmark:
- Sweden:

Including: Cabinet base. door with PUR gasket. 3mm double bit lock(s) with key. S versions with swinghandle 2-point locking system. Door guide included.



Dimensions:	Height	Width	Depth
mm:	200	300	150
inch:	7.87	11.81	6.22

Materials:

Material:	Polycarbonate
Base colour:	RAL 7035 -light grey

Accessories:

MPMP ARCA 3020	Mounting plate multiperforated (250x150x2 mm - \varnothing 3.6 mm) (250 x 150 x 2)
IDS ARCA 2030	Inner door set (185 x 285 x 35)
MPP ARCA 2030	Mounting plate perforated (250x150x2 mm - 26x11 mm) (150 x 250 x 2)
SBK ARCA 20	Support bar kit

Cover colour: RAL 7035 -light grey

(140 x 40 x 30)

Gasket material: Polyurethane

MPS ARCA 3020 Mounting plate (250x150x2 mm)
(250 x 150 x 2)SBK ARCA 30 Support bar kit
(235 x 40 x 30)DRS ARCA 203015 DIN rail frame set
(285 x 185 x 35)RCS ARCA 2030 Rain canopy set for size 2030
(20 x 300 x 30)PMK ARCA 30 PoleMounting kit. for pole ø100-300mm
(385 x 285 x 35)MPX ARCA 3020 Mounting plate (250x150 mm)
(250 x 150 x 5)**Temperatures:**

Temperature °C (short term):: -40 ... 120

Temperature °C (continuous): -40 ... 80

Temperature °F (short term): -40 ... 250

Temperature °F (continuous): -40 ... 175

Rating:

Ingress protection (EN 60529): IP66;

Impact Resistance (EN 62262): IK10;

Electrical insulation: Totally insulated

Halogen free (DIN/VDE 0472, Part 815): 1

UV resistance: UL 508

Flammability Rating: UL 94 5VA

Glow Wire Test (IEC 695-2-1) °C: 960 °C

NEMA Class NEMA 1, 4, 4X, 12 and 13

Certificates:

Certificate FI 40467



**SCATTERGOOD
& JOHNSON LTD**
ELECTRICAL ENGINEERING & FLUID CONTROL DISTRIBUTORS

Est.1899

At Scattergood & Johnson Ltd, we pride ourselves on being a technical distributor to specialist industries.

Working with a range of quality product manufacturers across a number of specialist markets, we are not your average 'box shifter' - we are your technical and supply chain partner.

We fully support every product we sell - for free! Our internal team and external sales engineers can answer any product or application question, no matter the complexity.

Backing up this technical ability is a range of 50,000+ products available from stock for nationwide next day delivery (same day if required!), or you can collect what you need from any of our trade counters around the UK.

Select your specialist interest below to learn more about how we can help.



Online, In Branch and On the Road - Scattergood & Johnson Ltd, there when you need us.

www.scatts.co.uk