

# ARCA 302015 No MP

---



Sample image

**Order symbol:** ARCA 302015 No MP

**EAN:** 6418074089335

**Product nbr:** 8120002N

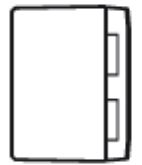
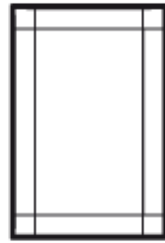
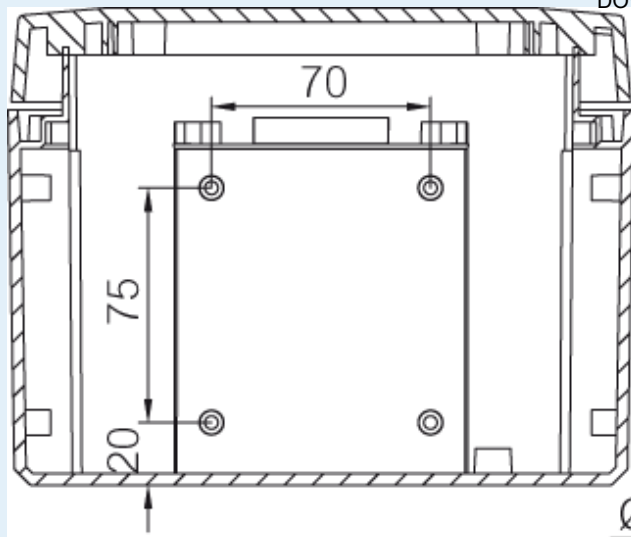
**El. number:**

**Description:** Cabinet. PC

- Finland:
- Denmark:
- Sweden:

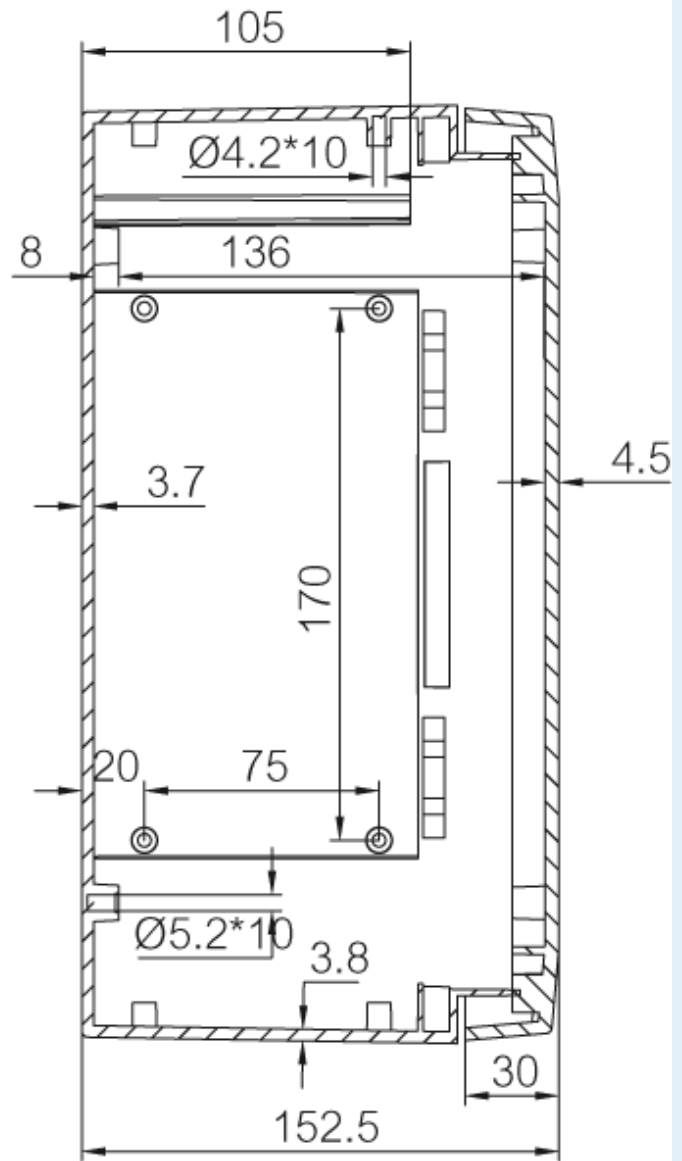
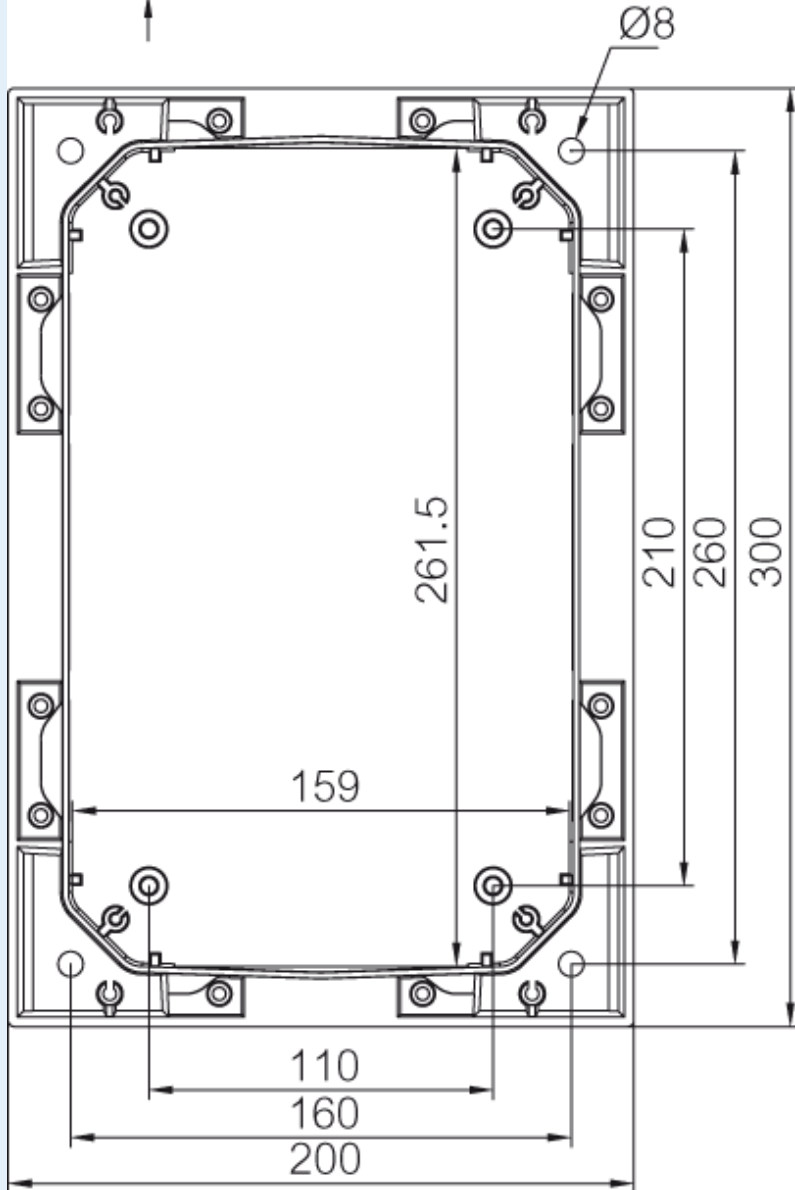
**Remarks:** Grey cover. 1-point locking. hinges on the long side

**Including:** Cabinet base. door with PUR gasket. 3mm double bit lock(s) with key. S versions with swinghandle 2-point locking system. Door guide included.



3020

2030



302015

Dimensions:	Height	Width	Depth
mm:	300	200	150
inch:	11.81	7.87	6.22

**Accessories:**

- MPP ARCA 3020 Mounting plate perforated (250x150x2 mm - 26x11 mm) (250 x 150 x 2)
- DRS ARCA 302015 DIN rail frame set (285 x 185 x 35)

**Materials:**

Material:	Polycarbonate
Base colour:	RAL 7035 -light grey
Cover colour:	RAL 7035 -light grey
Gasket material:	Polyurethane

**Temperatures:**

Temperature °C (short term)::	-40 ... 120
Temperature °C (continuous):	-40 ... 80
Temperature °F (short term):	-40 ... 250
Temperature °F (continuous):	-40 ... 175

MPMP ARCA 3020	Mounting plate multiperforated (250x150x2 mm - $\varnothing$ 3.6 mm) (250 x 150 x 2)
SBK ARCA 20	Support bar kit (140 x 40 x 30)
PMK ARCA 20	PoleMounting kit. for pole $\varnothing$ 100-300mm (385 x 285 x 35)
RCS ARCA 3020	Rain canopy set for size 3020 (20 x 200 x 30)
MPS ARCA 3020	Mounting plate (250x150x2 mm) (250 x 150 x 2)
SBK ARCA 30	Support bar kit (235 x 40 x 30)
IDS ARCA 3020	Inner door set (285 x 185 x 35)
MPX ARCA 3020	Mounting plate (250x150 mm) (250 x 150 x 5)

**Rating:**

Ingress protection (EN 60529):	IP66;
Impact Resistance (EN 62262):	IK10;
Electrical insulation:	Totally insulated
Halogen free (DIN/VDE 0472, Part 815):	1
UV resistance:	UL 508
Flammability Rating:	UL 94 5VA
Glow Wire Test (IEC 695-2-1) °C:	960 °C
NEMA Class	NEMA 1, 4, 4X, 12 and 13

**Certificates:**

Certificate FI 40467



**SCATTERGOOD  
& JOHNSON LTD**  
ELECTRICAL ENGINEERING & FLUID CONTROL DISTRIBUTORS

Est.1899

At Scattergood & Johnson Ltd, we pride ourselves on being a technical distributor to specialist industries.

Working with a range of quality product manufacturers across a number of specialist markets, we are not your average 'box shifter' - we are your technical and supply chain partner.

We fully support every product we sell - for free! Our internal team and external sales engineers can answer any product or application question, no matter the complexity.

Backing up this technical ability is a range of 50,000+ products available from stock for nationwide next day delivery (same day if required!), or you can collect what you need from any of our trade counters around the UK.

Select your specialist interest below to learn more about how we can help.



Online, In Branch and On the Road - Scattergood & Johnson Ltd, there when you need us.

**[www.scatts.co.uk](http://www.scatts.co.uk)**