

# ARCA 504021 No MP

---



Sample image

**Order symbol:** ARCA 504021 No MP

**EAN:** 6418074089366

**Product nbr:** 8120011N

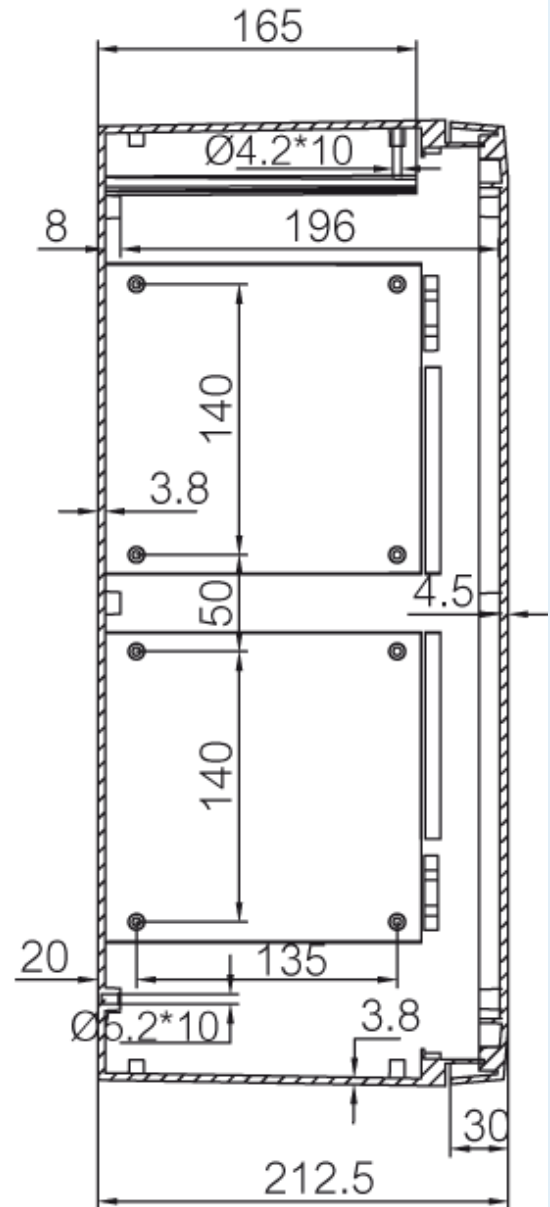
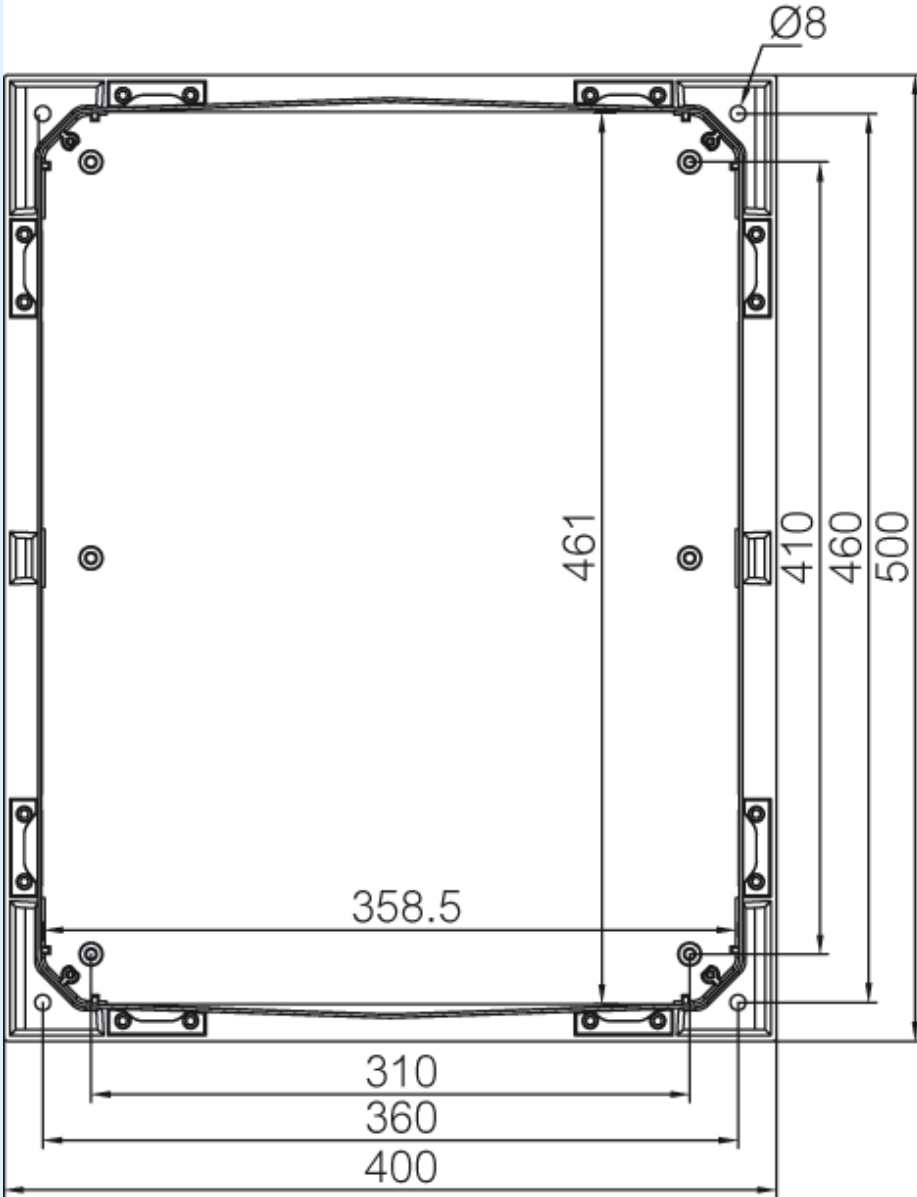
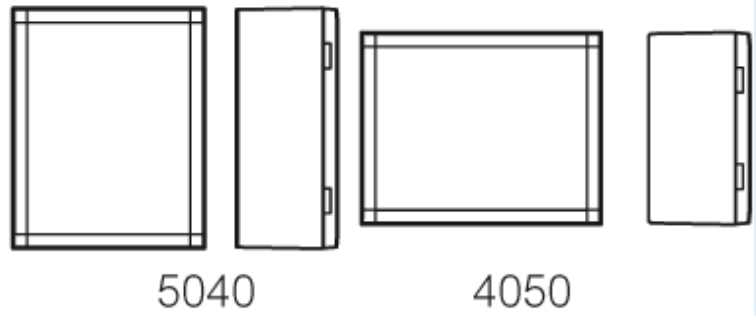
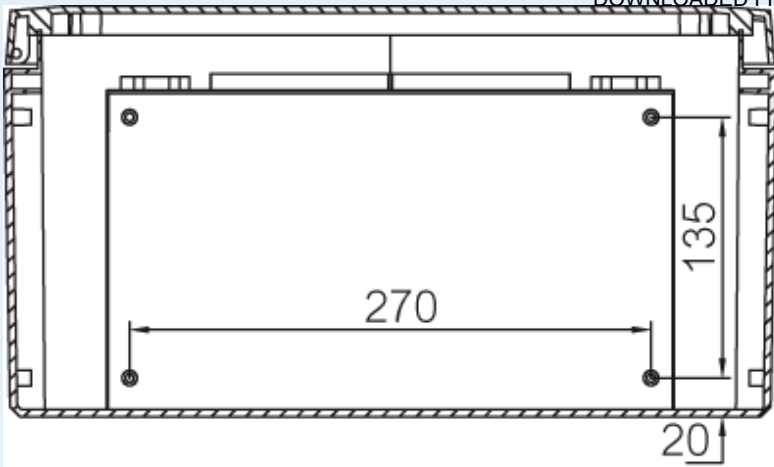
**El. number:**

**Description:** Cabinet. PC

- Finland:
- Denmark:
- Sweden:

**Remarks:** Grey cover. 2-point locking. hinges on the long side

**Including:** Cabinet base. door with PUR gasket. 3mm double bit lock(s) with key. S versions with swinghandle 2-point locking system. Door guide included.



504021

| Dimensions: | Height | Width | Depth |
|-------------|--------|-------|-------|
| mm:         | 500    | 400   | 210   |
| inch:       | 19.69  | 15.75 | 8.58  |

| Accessories:  |                                 |
|---------------|---------------------------------|
| SBK ARCA 50   | Support bar kit (435 x 40 x 30) |
| IDS ARCA 5040 | Inner door set (485 x 385 x 35) |

**Materials:**

|                  |                      |
|------------------|----------------------|
| Material:        | Polycarbonate        |
| Base colour:     | RAL 7035 -light grey |
| Cover colour:    | RAL 7035 -light grey |
| Gasket material: | Polyurethane         |

**Temperatures:**

|                               |             |
|-------------------------------|-------------|
| Temperature °C (short term):: | -40 ... 120 |
| Temperature °C (continuous):  | -40 ... 80  |
| Temperature °F (short term):  | -40 ... 250 |
| Temperature °F (continuous):  | -40 ... 175 |

|                    |   |
|--------------------|---|
| MPX ARCA<br>5040   | Mounting plate (450x350 mm)<br>(450 x 350 x 5)                                |
| MPMP ARCA<br>5040  | Mounting plate multiperforated (450x350x2<br>mm - ø3.6 mm)<br>(450 x 350 x 2) |
| SBK ARCA 40        | Support bar kit<br>(340 x 40 x 30)  |
| MPP ARCA<br>5040   | Mounting plate perforated (450x350x2 mm -<br>26x11 mm)<br>(450 x 350 x 2)     |
| DRS ARCA<br>504021 | DIN rail frame set<br>(485 x 385 x 35)  |
| PMK ARCA 40        | PoleMounting kit. for pole ø100-300mm<br>(385 x 285 x 35)                     |
| DSP ARCA<br>VLS    | Door stopper ARCA. vertical. left. small                                      |
| MPS ARCA<br>5040   | Mounting plate (450x350x2 mm)<br>(450 x 350 x 2)                              |
| RCS ARCA<br>5040   | Rain canopy set for size 5040<br>(20 x 400 x 30)                              |
| DSP ARCA<br>VRS    | Door stopper ARCA. vertical. right. small                                     |

**Rating:**

|   |                             |
|---|-----------------------------|
| Ingress protection (EN 60529):            | IP66;                       |
| Impact Resistance (EN 62262):             | IK10;                       |
| Electrical insulation:                    | Totally insulated           |
| Halogen free (DIN/VDE 0472, Part<br>815): | 1                           |
| UV resistance:                            | UL 508                      |
| Flammability Rating:                      | UL 94 5VA                   |
| Glow Wire Test (IEC 695-2-1) °C:          | 960 °C                      |
| NEMA Class                                | NEMA 1, 4, 4X, 12 and<br>13 |

**Certificates:**

Certificate FI 40467



**SCATTERGOOD  
& JOHNSON LTD**  
ELECTRICAL ENGINEERING & FLUID CONTROL DISTRIBUTORS

Est.1899

At Scattergood & Johnson Ltd, we pride ourselves on being a technical distributor to specialist industries.

Working with a range of quality product manufacturers across a number of specialist markets, we are not your average 'box shifter' - we are your technical and supply chain partner.

We fully support every product we sell - for free! Our internal team and external sales engineers can answer any product or application question, no matter the complexity.

Backing up this technical ability is a range of 50,000+ products available from stock for nationwide next day delivery (same day if required!), or you can collect what you need from any of our trade counters around the UK.

Select your specialist interest below to learn more about how we can help.



Online, In Branch and On the Road - Scattergood & Johnson Ltd, there when you need us.

**[www.scatts.co.uk](http://www.scatts.co.uk)**