

# ARCA 604021 No MP

---



Sample image

**Order symbol:** ARCA 604021 No MP

**EAN:** 6418074089373

**Product nbr:** 8120012N

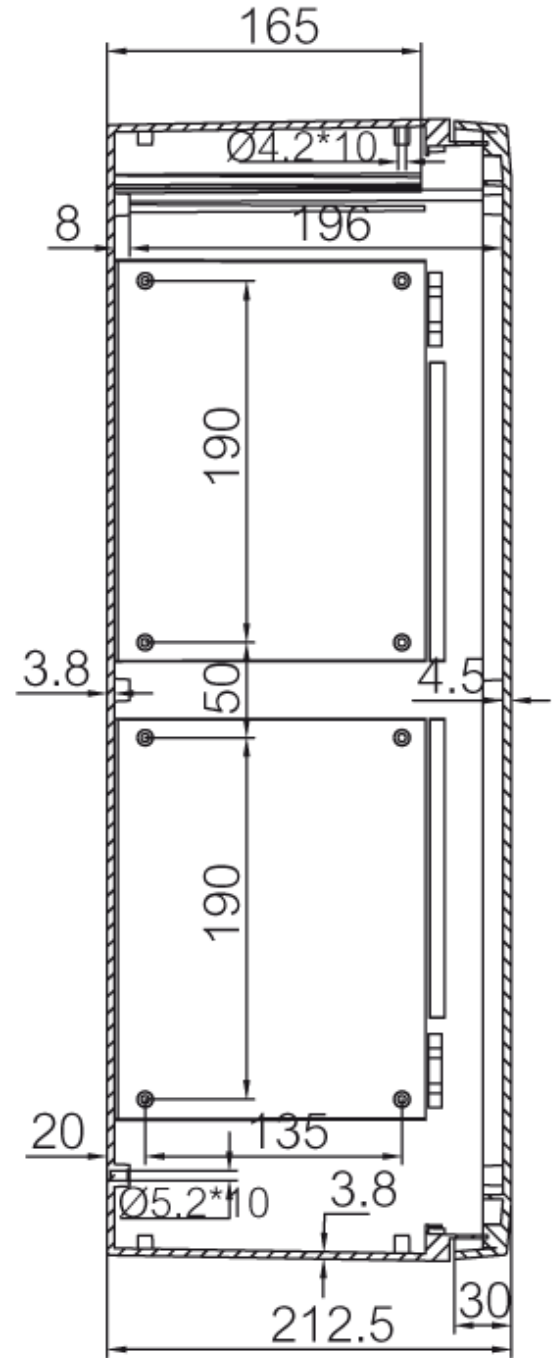
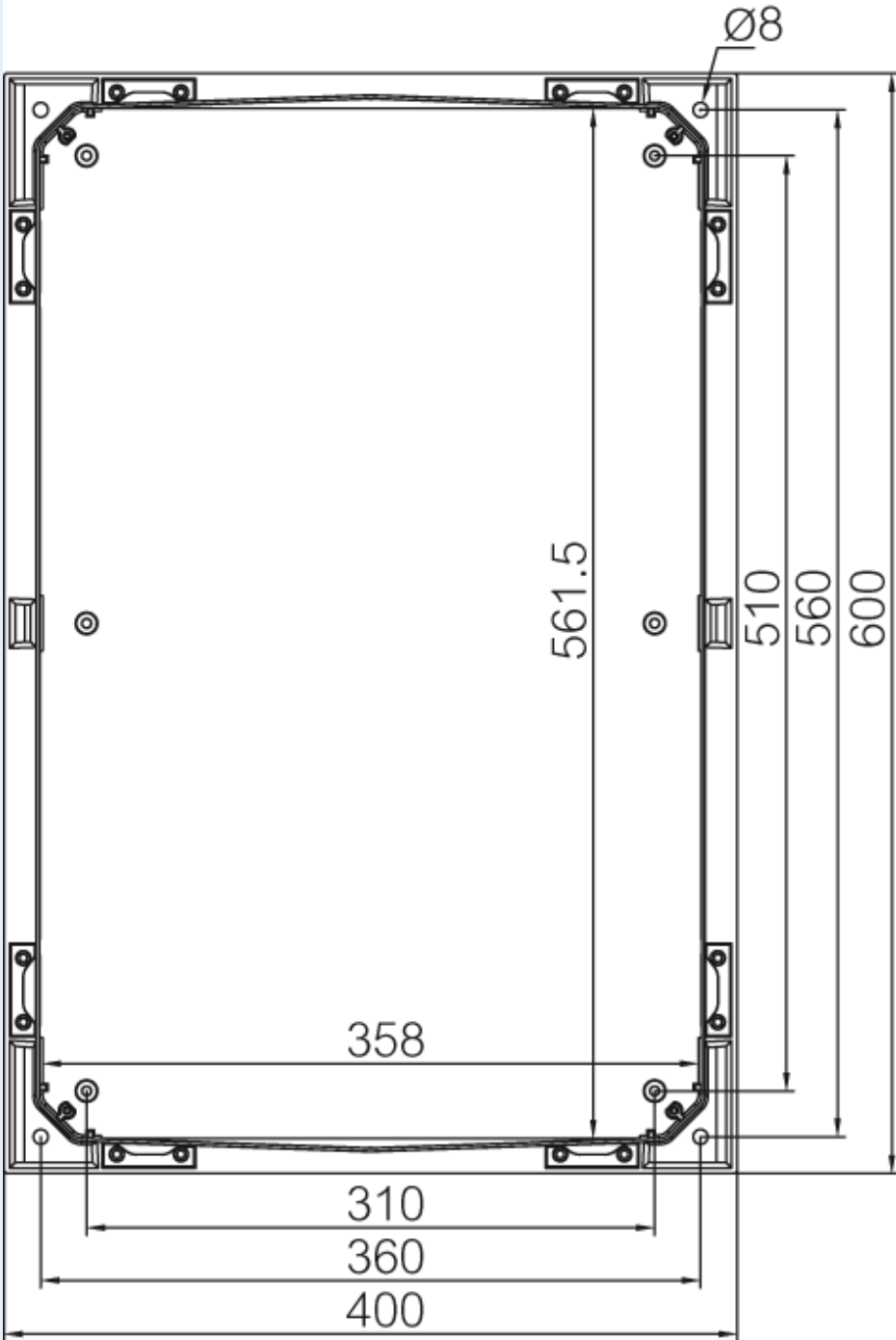
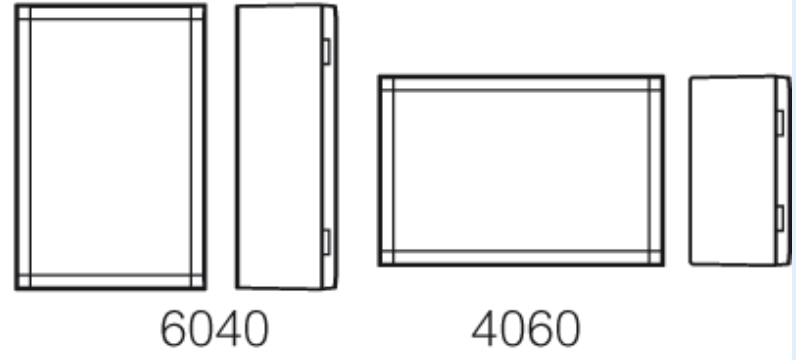
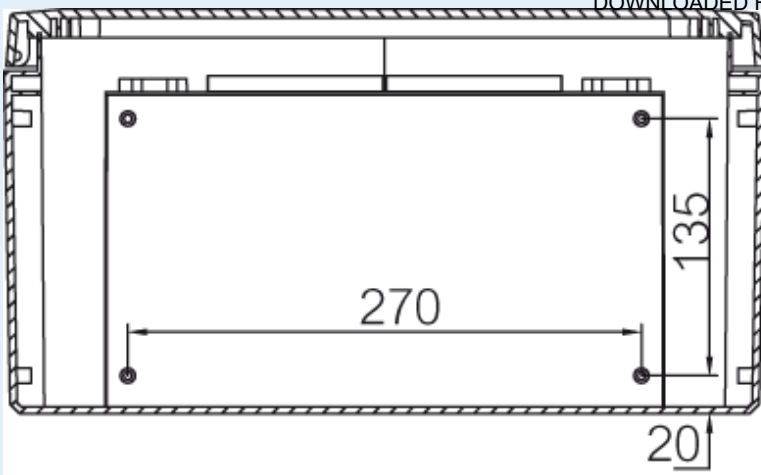
**El. number:**

**Description:** Cabinet. PC

- Finland:
- Denmark:
- Sweden:

**Remarks:** Grey cover. 2-point locking. hinges on the long side

**Including:** Cabinet base. door with PUR gasket. 3mm double bit lock(s) with key. S versions with swinghandle 2-point locking system. Door guide included.



604021

<b>Dimensions:</b>	<b>Height</b>	<b>Width</b>	<b>Depth</b>
mm:	600	400	210
inch:	23.62	15.75	8.58

**Materials:**

Material:	Polycarbonate
Base colour:	RAL 7035 -light grey
Cover colour:	RAL 7035 -light grey
Gasket material:	Polyurethane

**Temperatures:**

Temperature °C (short term)::	-40 ... 120
Temperature °C (continuous):	-40 ... 80
Temperature °F (short term):	-40 ... 250
Temperature °F (continuous):	-40 ... 175

**Accessories:**

MPS ARCA 6040	Mounting plate (550x350x2 mm) (550 x 350 x 2)
RCS ARCA 6040	Rain canopy set for size 6040 (20 x 400 x 30)
SBK ARCA 40	Support bar kit (340 x 40 x 30)
DRS ARCA 604021	DIN rail frame set (585 x 385 x 35)
PMK ARCA 40	PoleMounting kit. for pole ø100-300mm (385 x 285 x 35)
MPMP ARCA 6040	Mounting plate multiperforated (550x350x2 mm - ø3.6 mm) (550 x 450 x 2)
MPP ARCA 6040	Mounting plate perforated (550x350x2 mm - 26x11 mm) (550 x 350 x 2)
IDS ARCA 6040	Inner door set (585 x 385 x 35)
MPX ARCA 6040	Mounting plate (550x350 mm) (550 x 350 x 5)
DSP ARCA VLS	Door stopper ARCA. vertical. left. small
SBK ARCA 60	Support bar kit (535 x 40 x 30)
DSP ARCA VRS	Door stopper ARCA. vertical. right. small

**Rating:**

Ingress protection (EN 60529):	IP66;
Impact Resistance (EN 62262):	IK10;
Electrical insulation:	Totally insulated
Halogen free (DIN/VDE 0472, Part 815):	1
UV resistance:	UL 508
Flammability Rating:	UL 94 5VA
Glow Wire Test (IEC 695-2-1) °C:	960 °C
NEMA Class	NEMA 1, 4, 4X, 12 and 13

**Certificates:**

Certificate FI 40467



**SCATTERGOOD  
& JOHNSON LTD**  
ELECTRICAL ENGINEERING & FLUID CONTROL DISTRIBUTORS

Est.1899

At Scattergood & Johnson Ltd, we pride ourselves on being a technical distributor to specialist industries.

Working with a range of quality product manufacturers across a number of specialist markets, we are not your average 'box shifter' - we are your technical and supply chain partner.

We fully support every product we sell - for free! Our internal team and external sales engineers can answer any product or application question, no matter the complexity.

Backing up this technical ability is a range of 50,000+ products available from stock for nationwide next day delivery (same day if required!), or you can collect what you need from any of our trade counters around the UK.

Select your specialist interest below to learn more about how we can help.



Online, In Branch and On the Road - Scattergood & Johnson Ltd, there when you need us.

**[www.scatts.co.uk](http://www.scatts.co.uk)**