



FX0-GPRO00000

Flexi Soft

SAFETY CONTROLLERS

SICK
Sensor Intelligence.



Ordering information

	Fieldbus, industrial network	Type	Part no.
Gateways	PROFIBUS DP	FX0-GPRO00000	1044075

Other models and accessories → www.sick.com/Flexi_Soft



Detailed technical data

Features

Module	Gateway
Fieldbus, industrial network	PROFIBUS DP
Configuration method	Via software (Flexi Soft Designer)

Interfaces

Fieldbus, industrial network	PROFIBUS DP
Data transmission rate	≤ 12,000 kbit/s ¹⁾
Connection type	1 x female connector, D-Sub, 9-pin

¹⁾ Depending on cable length.

Electrical data

Protection class	III (EN 61140)
Voltage supply	Via FLEXBUS+
Internal power consumption	≤ 1.6 W ¹⁾

¹⁾ Via FLEXBUS+.

Mechanical data

Dimensions (W x H x D)	22.5 mm x 96.5 mm x 126 mm
Weight	150 g (± 10 %)

Ambient data

Enclosure rating	IP20 (EN 60529)
Ambient operating temperature	-25 °C ... +55 °C
Storage temperature	-25 °C ... +70 °C
Air humidity	10 % ... 95 %, Non-condensing

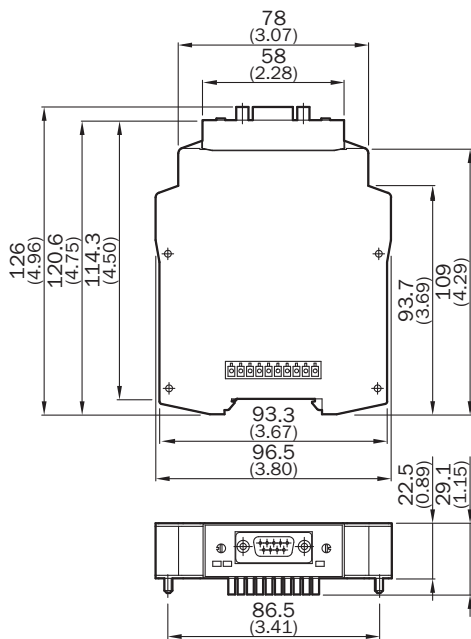
Classifications

ECl@ss 5.0	27243001
-------------------	----------

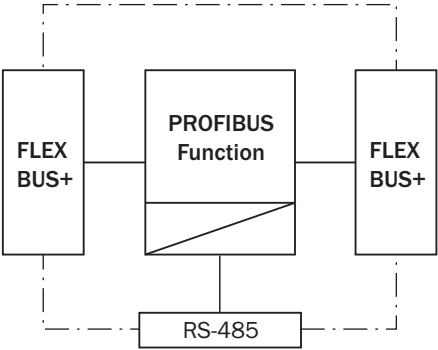
ECI@ss 5.1.4	27243101
ECI@ss 6.0	27243101
ECI@ss 6.2	27243101
ECI@ss 7.0	27243101
ECI@ss 8.0	27243101
ECI@ss 8.1	27243101
ECI@ss 9.0	27243101
ECI@ss 10.0	27243101
ECI@ss 11.0	27243101
ETIM 5.0	EC001449
ETIM 6.0	EC001449
ETIM 7.0	EC001449
ETIM 8.0	EC001449
UNSPSC 16.0901	32151705

Dimensional drawing (Dimensions in mm (inch))

FX0-GPRO



Connection diagram



SICK AT A GLANCE

SICK is one of the leading manufacturers of intelligent sensors and sensor solutions for industrial applications. A unique range of products and services creates the perfect basis for controlling processes securely and efficiently, protecting individuals from accidents and preventing damage to the environment.

We have extensive experience in a wide range of industries and understand their processes and requirements. With intelligent sensors, we can deliver exactly what our customers need. In application centers in Europe, Asia and North America, system solutions are tested and optimized in accordance with customer specifications. All this makes us a reliable supplier and development partner.

Comprehensive services complete our offering: SICK LifeTime Services provide support throughout the machine life cycle and ensure safety and productivity.

For us, that is “Sensor Intelligence.”

WORLDWIDE PRESENCE:

Contacts and other locations –www.sick.com