

A50QS

Amp-Trap® Form 101

HIGH SPEED FUSES



A50QS Amp-Trap® Form 101 fuses grew out of the need to improve the overall performance of semiconductor fuses in response to new equipment requirements. The A50QS encompasses the best protection features – lower I^2t to provide better protection for equipment, longer life when subjected to cyclic loading and lower watts loss. A50QS is today's best choice for the protection of dynamic solid state equipment such as motor drives, inverters, UPS, etc.

FEATURES/BENEFITS:

- Lowest I^2t for greatest protection of semiconductor circuits
- Low watts loss for cooler operation
- Superior cycling ability gives an equipment design advantage
- State-of-the-art protection for 500V equipment
- Ultra compact sizes allow down-sizing of existing equipment

Catalog Numbering System				
A	50	QS	250	- 4
Amp-Trap® Fuse	Rated Volts - 500	Style	Amperes*	Mounting Types* Blades, bolt-in: 4

* For ampere ratings and styles not listed, call Technical Services at 978-465-4853.

RATINGS

- **Volts:** 500VAC / DC
- **Amps:** 35 to 60A (AC);
70 to 1200A (AC);
35 to 1200A (DC)
- **I.R.:** 200kA I.R. AC,
87kA I.R. DC

HIGHLIGHTS:

- 500V AC/DC rated
- Lowest I^2t
- Low watts loss
- Superior cycling ability

APPLICATIONS:

- Protection of 500V or less motor drives, UPS, inverters, etc.

APPROVALS:

- UL recognized component
UL File 60314
- AC: UL guide no. JFHR2
- DC Tested to UL standard 198L parameters (70-1200A)
- CSA Certified LR12636



SINGLE POLE FUSE BLOCKS FOR A50QS FUSES

Fuse Ampere Rating	Mounting Type	Catalog No.
35-200	4	P243E
225-600	4	P266C
700-800	4	1SC375
900-1000	4	FH50F5*



*(not UL)

Mersen products have been designed by Mersen for a range of specific applications to be operated depending on particular specification and conditions. Mersen makes no representation or/and warranty, and waives any liability, either express or implied for products' reliability and life time or technical performance in case Mersen has not been provided with customer's specifications or if the products are not purchased directly from Mersen or its distributors and/or agents.

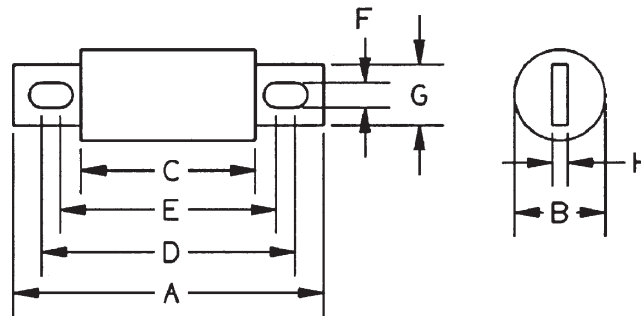
CATALOG NUMBERS (AMPS)

A50QS35-4	A50QS80-4	A50QS175-4	A50QS350-4	A50QS700-4
A50QS40-4	A50QS90-4	A50QS200-4	A50QS400-4	A50QS800-4
A50QS50-4	A50QS100-4	A50QS225-4	A50QS450-4	A50QS900-4
A50QS60-4	A50QS125-4	A50QS250-4	A50QS500-4	A50QS1000-4
A50QS70-4	A50QS150-4	A50QS300-4	A50QS600-4	A50QS1200-4

* For ampere ratings and styles not listed, call Technical Services at 978-465-4853.

DIMENSIONS

Catalog Number	Mounting Type	Dimensions - Inches (mm)							
		A	B	C	D	E	F	G	H
A50QS35 to 100	4	3.63	1.00	2.13	2.94	2.75	0.31	0.75	0.13
		{92.2}	{25.4}	{54.1}	{74.7}	{69.9}	{7.9}	{19.1}	{3.3}
A50QS125 to 200	4	3.63	1.22	2.13	2.94	2.81	0.31	1.00	0.19
		{92.2}	{31.0}	{54.1}	{74.7}	{71.4}	{7.9}	{25.4}	{4.8}
A50QS225 to 400	4	4.34	1.50	2.09	3.41	2.78	0.41	1.00	0.25
		{110}	{38.1}	{53.1}	{86.6}	{70.6}	{10.4}	{25.4}	{6.4}
A50QS450 to 600	4	4.47	2.00	2.22	3.53	2.91	0.41	1.50	0.25
		{114}	{50.8}	{56.4}	{89.7}	{73.9}	{10.4}	{38.1}	{6.4}
A50QS700 to 800	4	6.47	2.38	2.22	5.00	3.44	.53	2.00	.38
		{164.3}	{60.3}	{56.4}	{127.0}	{87.3}	{13.5}	{50.8}	{9.8}
A50QS900 to 1200	4	6.97	2.88	3.22	5.47	4.47	.63	2.38	.44
		{177.0}	{76.2}	{81.8}	{138.9}	{113.5}	{15.9}	{60.3}	{11.1}





**SCATTERGOOD
& JOHNSON LTD**
ELECTRICAL ENGINEERING & FLUID CONTROL DISTRIBUTORS

Est.1899

At Scattergood & Johnson Ltd, we pride ourselves on being a technical distributor to specialist industries.

Working with a range of quality product manufacturers across a number of specialist markets, we are not your average 'box shifter' - we are your technical and supply chain partner.

We fully support every product we sell - for free! Our internal team and external sales engineers can answer any product or application question, no matter the complexity.

Backing up this technical ability is a range of 50,000+ products available from stock for nationwide next day delivery (same day if required!), or you can collect what you need from any of our trade counters around the UK.

Select your specialist interest below to learn more about how we can help.



Online, In Branch and On the Road - Scattergood & Johnson Ltd, there when you need us.

www.scatts.co.uk