

Technical Data 720147

Effective October 2017
Supersedes February 2017**BUSSMANN**
SERIES

10 x 38 mm Modular fuse holders



Product description

Eaton's Bussmann® series 10 x 38 mm modular fuse holders provide more space for cabling thanks to their compact design and are suitable for most applications including photovoltaic.

Features

- Colour coded for simple visual identification: yellow for PV (1000 V d.c.), red for IEC (690 V a.c.) and black for UL (600 V a.c./V d.c.) applications
- CHPV models, with 1000 V d.c. rating for use with solar gPV fuse links are suitable for photovoltaic applications of any size
- Tested to a wide range of standards: IEC, cULus, CCC, CSA and UR allowing for use across global applications
- World class footprint - smaller than any other modular fuse holders, reducing installation space required
- Toolless DIN-Rail mounting, improves ease of use and reduces installation time and costs
- Rated for use with 75°C or 90°C wire, fine stranded wire, spade terminals and with comb-bus bars. Use any higher temperature rated wire with appropriate derating.

EATON*Powering Business Worldwide*

Technical Data 720147

Effective October 2017

10 x 38 mm Modular fuse holders

Catalogue symbol:

- See table below

Technical data:

Rated voltage and current: see table below

Terminal size: 1 to 25mm² (#18 to #4)

Torque rating: IEC only: 2.5N•m maximum

UL only: 3.4N•m (30Lb-In) maximum

Flammability ratings: UL94V0, self-extinguishing

Storage and operating temperature range:

-20°C to +90°C (indicating)

-20°C to +120°C (non-indicating)

Standards/Approvals:

- IEC 60269-1 and 60269-2
- UL File E14853, guide IZLT Listed, IZLT2 Recognised
- CSA File 47235
 - CHPV and CHM - Class 6225-30
 - CHCC - Class 6225-01
- CCC

Pack quantity

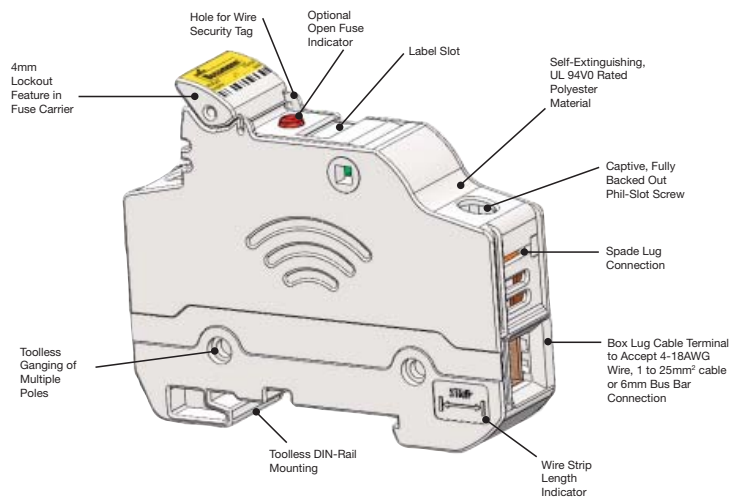
- 1-pole: 12
- 2-pole: 6
- 3-pole: 4
- 4-pole: 3

Table 1. Technical data

Series & size	Catalogue Number		Rated voltage and rated current	Agency Markings	Number of poles	Terminal rating	Rated breaking capacity	Eaton's Bussmann series fuse links
	With indicator	Without Indicator						
CHM 10x38 & midget	CHM1DIU	CHM1DU	IEC 690 VAC / 32 A UL 600 VAC / 30 A	IEC 60269-2, UR, CSA, CCC	1	IEC: 1 to 25mm ² 70°C PVC/ Copper cable solid, stranded, fine stranded, Spade lug, comb bus bar, single and dual	IEC 120 kA rms sym	IEC C10 Series
CHM 10x38 & midget	CHM2DIU	CHM2DU	IEC 690 VAC / 32 A UL 600 VAC / 30 A	IEC 60269-2, UR, CSA, CCC	2		UL 200 kA rms sym	UL: FNQ, KLM, FNM, KTK, BAF, FWA, PVM, AGU, BAN, FWC
CHM 10x38 & midget	CHM3DIU	CHM3DU	IEC 690 VAC / 32 A UL 600 VAC / 30 A	IEC 60269-2, UR, CSA, CCC	3		CCC 100kA rms sym	
CHM 10x38 & midget	CHM4DIU	CHM4DU	IEC 690 VAC / 32 A UL 600 VAC / 30 A	IEC 60269-2, UR, CSA, CCC	4			
CHM 10x38 & midget	CHM1DNIU	CHM1DNU	IEC 690 VAC / 32 A UL 600 VAC / 30 A	IEC 60269-2	2: 1-pole + 1 neutral			
CHM 10x38 & midget	CHM3DNIU	CHM3DNU	IEC 690 VAC / 32 A UL 600 VAC / 30 A	IEC 60269-2	4: 3-pole + 1 neutral			
CHM 10x38 & midget	CHM1DI-48U	N/A	IEC 48 VDC / 32 A UL 48 VDC / 30 A	IEC 60269-2, UR, CSA, CCC	1			
CHM 10x38 & midget	N/A	CHM1DNXU	IEC 690 VAC / 32 A	IEC 60269-2	1 neutral		N/A	N/A
CHPV Photovoltaic	CHPV1IU	CHPV1U	IEC 1000 VDC / 32 A UL 1000 VDC / 30 A	IEC 60269-1, UR, CSA, CCC UL4248-18	1		33kA	Solar PV series PVM, PV-A10F
CHPV Photovoltaic	CHPV2IU	CHPV2U			2		33kA	
CHCC Class CC	CHCC1DIU	CHCC1DU	UL 600 VAC / VDC 30 A	UL, CSA, CCC	1	Cable 75°C and 90°C Cu Cable	200 kA rms sym	LP-CC, FNQ-R, KTK-R
CHCC Class CC	CHCC2DIU	CHCC2DU	UL 600 VAC / VDC 30 A	UL, CSA, CCC	2		200 kA rms sym	
CHCC Class CC	CHCC3DIU	CHCC3DU	UL 600 VAC / VDC 30 A	UL, CSA, CCC	3		200 kA rms sym	
CHCC Class CC	N/A	CHCC1DI-48U	UL 48 VDC / 30 A	UL, CSA, CCC	1		200 kA rms sym	

10 x 38 mm Modular fuse holders

Features

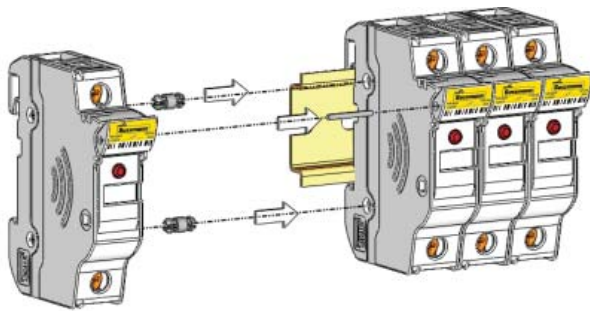


Multi-Pole ganging

Use multi-pole connection kit part number

JV-L to gang multiple poles together.

JV-L kit is sufficient to gang up to 4 poles.

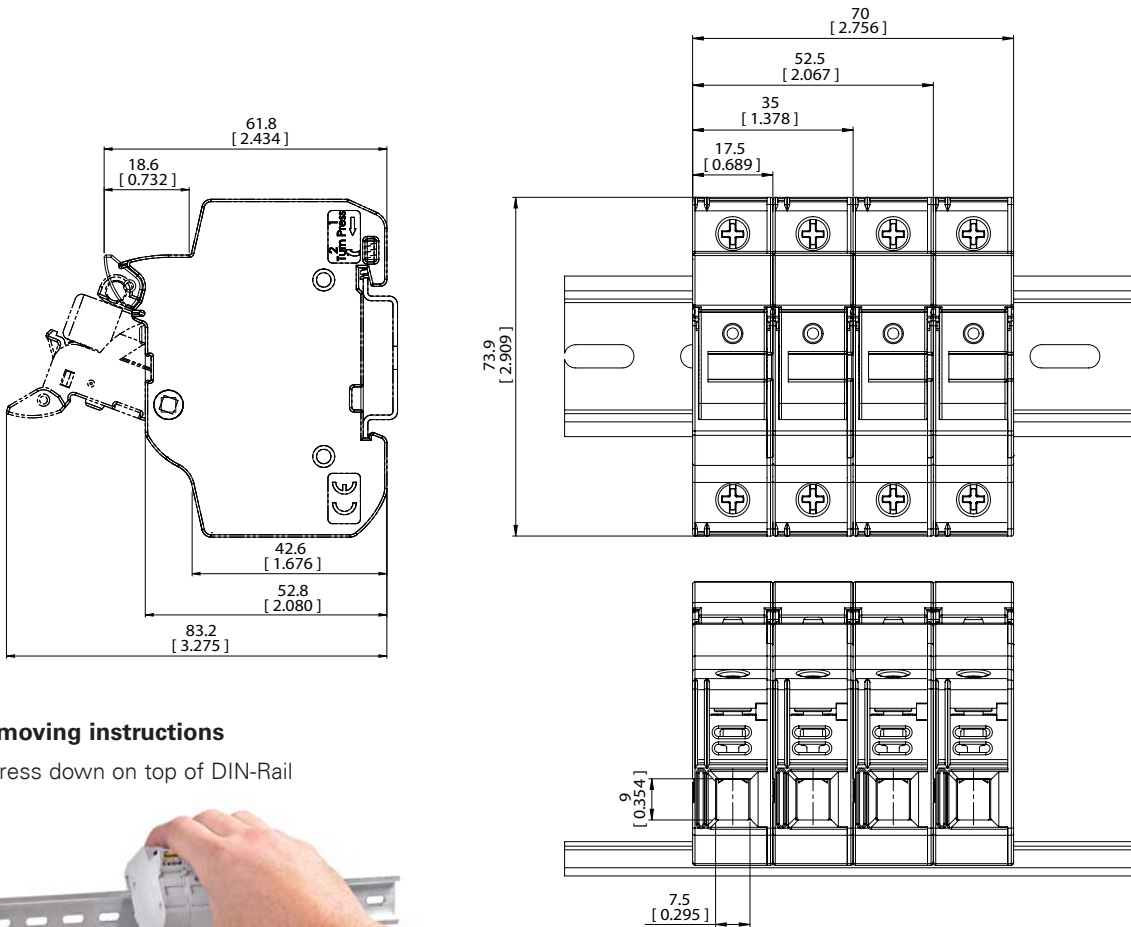


Technical Data 720147

Effective October 2017

10 x 38 mm Modular fuse holders

Dimensional data - mm (in)



Removing instructions

1 Press down on top of DIN-Rail



2 - Rotate out on the bottom

Changes to the products, to the information contained in this document, and to prices are reserved; so are errors and omissions. Only order confirmations and technical documentation by Eaton is binding. Photos and pictures also do not warrant a specific layout or functionality. Their use in whatever form is subject to prior approval by Eaton. The same applies to Trademarks (especially Eaton, Moeller, and Cutler-Hammer). The Terms and Conditions of Eaton apply, as referenced on Eaton Internet pages and Eaton order confirmations.

Eaton
 EMEA Headquarters
 Route de la Longeraie 7
 1110 Morges, Switzerland

Eaton Electrical Products Limited
 Melton Road
 Burton-on-the-Wolds
 Leicestershire, LE12 5TH
 United Kingdom

© 2017 Eaton
 All Rights Reserved
 PDF Only
 Publication No. 720147
 October 2017



Eaton is a registered trademark.

All other trademarks are property of their respective owners.



**SCATTERGOOD
& JOHNSON LTD**
ELECTRICAL ENGINEERING & FLUID CONTROL DISTRIBUTORS

Est.1899

At Scattergood & Johnson Ltd, we pride ourselves on being a technical distributor to specialist industries.

Working with a range of quality product manufacturers across a number of specialist markets, we are not your average 'box shifter' - we are your technical and supply chain partner.

We fully support every product we sell - for free! Our internal team and external sales engineers can answer any product or application question, no matter the complexity.

Backing up this technical ability is a range of 50,000+ products available from stock for nationwide next day delivery (same day if required!), or you can collect what you need from any of our trade counters around the UK.

Select your specialist interest below to learn more about how we can help.



Online, In Branch and On the Road - Scattergood & Johnson Ltd, there when you need us.

www.scatts.co.uk