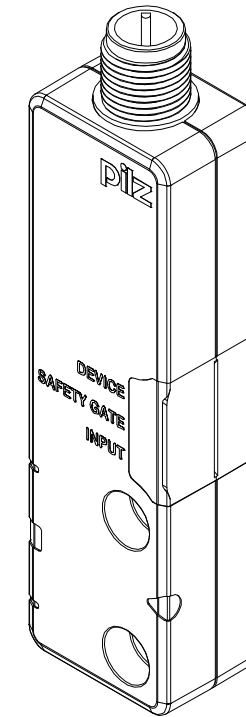
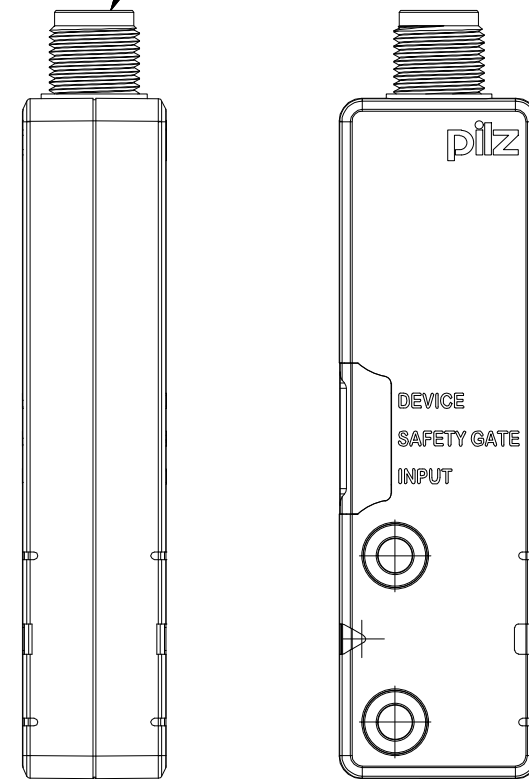


M12x1 5/8-Pol-Stecker
M12x1 5/8-pin-connector



Observe protection note to DIN 34.

B	H1300056	08.09.2014	EP-MK	EP-MK	Changes	Internet Dokument Internet document PSENcsII M12 switch	
Scale	1 : 1			Date	Name		
Material			Created	24.07.2014	EP-MK		
			Checked	08.09.2014	EP-MK		
			Norm	-	-	All dimensions are in mm	
Surface			Unspecified tolerance			H303910	Index B
						Page 1	Pg. 1
Replaced by						Substitute for	



**SCATTERGOOD
& JOHNSON LTD**
ELECTRICAL ENGINEERING & FLUID CONTROL DISTRIBUTORS

Est.1899

At Scattergood & Johnson Ltd, we pride ourselves on being a technical distributor to specialist industries.

Working with a range of quality product manufacturers across a number of specialist markets, we are not your average 'box shifter' - we are your technical and supply chain partner.

We fully support every product we sell - for free! Our internal team and external sales engineers can answer any product or application question, no matter the complexity.

Backing up this technical ability is a range of 50,000+ products available from stock for nationwide next day delivery (same day if required!), or you can collect what you need from any of our trade counters around the UK.

Select your specialist interest below to learn more about how we can help.



Online, In Branch and On the Road - Scattergood & Johnson Ltd, there when you need us.

www.scatts.co.uk